

## PRESSURE SNUBBER

The figure PS brass snubber, when placed before a pressure gauge, significantly lessens the damaging effects of pulsation on gauges, transducers, transmitters, manometers, and pressure switches.

### Features:

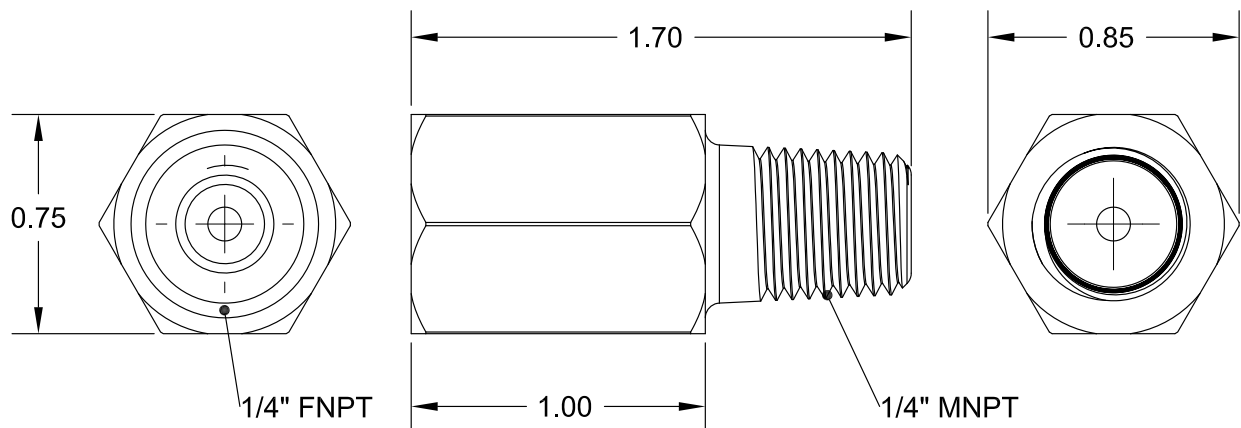
- 10,000 PSI Maximum Operating Pressure
- 30,000 PSI Burst Pressure
- 1/4" FNPT End Instrument Connection
- 1/4" MNPT End Process Connection
- Brass Body
- Sintered (Porous Type) 316SS Snubbing Element
- Stainless Steel Retainer
- -65°F to 650°F (-53°C to 343°C) Process Temperature Limit

### Standards

- NPT Connections Per ASME B1.20.1
- Meets ASME B40.100 for Snubbers (Includes B40.5)

### Part Number

Size	Part Number
1/4"	FNWPSB



DOC: FNWPS09 Ver. 10/2013

© 2013 - FNW. All rights reserved.

The FNW logo is a trademark of Ferguson Enterprises, Inc., PL Sourcing, PO Box 2778, Newport News, VA 23609

[www.fnw.com](http://www.fnw.com)

The contents of this publication are presented for information purposes only, and while effort has been made to ensure their accuracy, they are not to be construed as warranties or guarantees, expressed or implied, regarding the products or services described herein or their use or applicability. All sales are governed by our terms and conditions, which are available on request. We reserve the right to modify or improve the designs or specifications of our products at any time without notice. Always verify that you have the most recent product specifications or other documentation prior to the installation of these products.