

For Residential and Commercial Applications

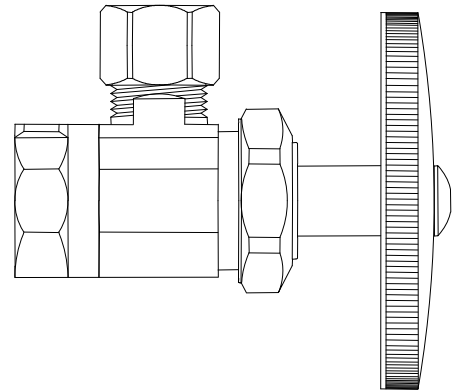
Job Name		Engineer / Architect	
Job Location		Wholesaler	
Submittal Date		Contractor	

OR15/ OR35 & OR07/ OR17/ OR27/ OR37 Multi-Turn Angle Stop – Female Iron Pipe x Compression

Use: For use in potable water distribution systems. Not intended for recirculating water systems that produce continuous use temperatures above 115° F. For those applications, use BrassCraft KT series ball stops

Design Features:

- **Machined one-piece brass body** provides strength, durability and long-lasting performance
- **Oval knurled handle** provides a secure grip and smooth on/off operation
- **Easy-to-remove handle** with screw attachment protects accidental stop operation during rough-ins
- **Compliant Stops** available for California and Vermont “low-lead” requirements



Operating Specifications:

Temperature: 40° - 140° F
Pressure: 125 psi maximum



Standard

MATERIAL SPECIFICATIONS	
Valve Body	C36000 brass
Stem	POM or C36000 brass*
Bib & Packing Washers	Nitrile or EPDM rubber
Packing Nut	C36000 brass
Handle	Metal, chrome plated ABS or Lexan
Handle Screw	Zinc-plated steel
Compression Sleeve	C36000 brass
Compression Nut	C36000 brass, chrome plated

*Where specified

Compliant

MATERIAL SPECIFICATIONS	
Valve Body	Compliant brass
Stem	POM or Compliant brass*
Bib & Packing Washers	Nitrile or EPDM rubber
Packing Nut	Compliant brass
Handle	Metal, chrome plated ABS or Lexan
Handle Screw	Zinc-plated steel
Compression Sleeve	Compliant brass
Compression Nut	C36000 brass, chrome plated

Standard Part Listing:

- OR15 C 3/8" F.I.P. x 3/8" OD Compression, chrome plated
- OR15 C1 3/8" F.I.P. x 3/8" OD Compression, chrome plated, window box
- OR15 CBT 3/8" F.I.P. x 3/8" OD Compression, chrome plated, bulk
- OR15 C5T 3/8" F.I.P. x 3/8" OD Compression, chrome plated, sleeve of 5, plain tray
- OR15 R 3/8" F.I.P. x 3/8" OD Compression, rough brass
- OR15 R1 3/8" F.I.P. x 3/8" OD Compression, rough brass, window box

This specification and all information contained herein is the confidential and exclusive property of BrassCraft Manufacturing, and shall not be disclosed to others without the written consent of BrassCraft. This specification must be returned to BrassCraft if requested.



OR15/ OR35 & OR07/ OR17/ OR27/ OR37 Multi-Turn Angle Stop – Female Iron Pipe x Compression

Standard Part Listing (con't):

<input type="checkbox"/>	OR15Z C	3/8" F.I.P. x 3/8" OD Compression, brass stem, chrome plated
<input type="checkbox"/>	OR15TZ CB	3/8" F.I.P. x 3/8" OD Compression, brass stem, chrome plated, bulk, no tray
<input type="checkbox"/>	OR15 BZ	3/8" F.I.P. x 3/8" OD Compression, oil rubbed bronze
<input type="checkbox"/>	OR15 NP	3/8" F.I.P. x 3/8" OD Compression, polished nickel
<input type="checkbox"/>	OR15 NS	3/8" F.I.P. x 3/8" OD Compression, satin nickel
<input type="checkbox"/>	OR15 P	3/8" F.I.P. x 3/8" OD Compression, polished brass
<input type="checkbox"/>	OR35 C	3/8" F.I.P. x 1/2" OD Compression, chrome plated
<input type="checkbox"/>	OR35Z C	3/8" F.I.P. x 1/2" OD Compression, brass stem, chrome plated
<input type="checkbox"/>	OR07 C	1/2" F.I.P. x 1/4" OD Compression, chrome plated
<input type="checkbox"/>	OR07 C1	1/2" F.I.P. x 1/4" OD Compression, chrome plated, window tray
<input type="checkbox"/>	OR07 R	1/2" F.I.P. x 1/4" OD Compression, rough brass
<input type="checkbox"/>	OR07Z C	1/2" F.I.P. x 1/4" OD Compression, brass stem, chrome plated
<input type="checkbox"/>	OR17 C	1/2" F.I.P. x 3/8" OD Compression, chrome plated
<input type="checkbox"/>	OR17 C1	1/2" F.I.P. x 3/8" OD Compression, chrome plated, window tray
<input type="checkbox"/>	OR17 CBT	1/2" F.I.P. x 3/8" OD Compression, chrome plated, bulk, plain tray
<input type="checkbox"/>	OR17 C5T	1/2" F.I.P. x 3/8" OD Compression, chrome plated, sleeve of 5, plain tray
<input type="checkbox"/>	OR17 R	1/2" F.I.P. x 3/8" OD Compression, rough brass
<input type="checkbox"/>	OR17 R1	1/2" F.I.P. x 3/8" OD Compression, rough brass, window tray
<input type="checkbox"/>	OR17Z C	1/2" F.I.P. x 3/8" OD Compression, brass stem, chrome plated
<input type="checkbox"/>	OR17Z CBT	1/2" F.I.P. x 3/8" OD Compression, brass stem, chrome plated, bulk, plain tray
<input type="checkbox"/>	OR17TZ CB	1/2" F.I.P. x 3/8" OD Compression, brass stem, chrome plated, bulk, no tray
<input type="checkbox"/>	OR17 BZ	1/2" F.I.P. x 3/8" OD Compression, oil rubbed bronze
<input type="checkbox"/>	OR17 NP	1/2" F.I.P. x 3/8" OD Compression, polished nickel
<input type="checkbox"/>	OR17 NS	1/2" F.I.P. x 3/8" OD Compression, satin nickel
<input type="checkbox"/>	OR17 P	1/2" F.I.P. x 3/8" OD Compression, polished brass
<input type="checkbox"/>	OR27 C	1/2" F.I.P. x 7/16" OD Compression, chrome plated
<input type="checkbox"/>	OR27 C1	1/2" F.I.P. x 7/16" OD Compression, chrome plated, window tray
<input type="checkbox"/>	OR27 R	1/2" F.I.P. x 7/16" OD Compression, rough brass
<input type="checkbox"/>	OR27Z C	1/2" F.I.P. x 7/16" OD Compression, brass stem, chrome plated
<input type="checkbox"/>	OR37 C	1/2" F.I.P. x 1/2" OD Compression, chrome plated
<input type="checkbox"/>	OR37 C1	1/2" F.I.P. x 1/2" OD Compression, chrome plated, window tray
<input type="checkbox"/>	OR37 R	1/2" F.I.P. x 1/2" OD Compression, rough brass
<input type="checkbox"/>	OR37Z C	1/2" F.I.P. x 1/2" OD Compression, brass stem, chrome plated
<input type="checkbox"/>	OR37 P	1/2" F.I.P. x 1/2" OD Compression, polished brass

Compliant Part Listing:

<input type="checkbox"/>	OR15X C	3/8" F.I.P. x 3/8" OD Compression, chrome plated
<input type="checkbox"/>	OR15X C1	3/8" F.I.P. x 3/8" OD Compression, chrome plated, window tray
<input type="checkbox"/>	OR15ZX C	3/8" F.I.P. x 3/8" OD Compression, brass stem, chrome plated
<input type="checkbox"/>	OR07X C	1/2" F.I.P. x 1/4" OD Compression, chrome plated
<input type="checkbox"/>	OR07X C1	1/2" F.I.P. x 1/4" OD Compression, chrome plated, window tray
<input type="checkbox"/>	OR07X R	1/2" F.I.P. x 1/4" OD Compression, rough brass
<input type="checkbox"/>	OR17X C	1/2" F.I.P. x 3/8" OD Compression, chrome plated
<input type="checkbox"/>	OR17X C1	1/2" F.I.P. x 3/8" OD Compression, chrome plated, window tray

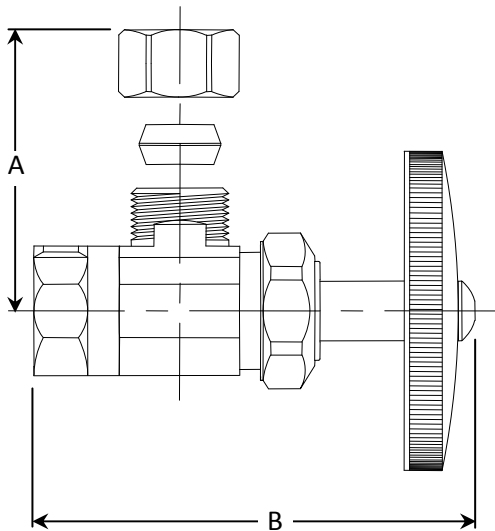
This specification and all information contained herein is the confidential and exclusive property of BrassCraft Manufacturing, and shall not be disclosed to others without the written consent of BrassCraft. This specification must be returned to BrassCraft if requested.

BrassCraft[®]

OR15/ OR35 & OR07/ OR17/ OR27/ OR37 Multi-Turn Angle Stop – Female Iron Pipe x Compression

Compliant Part Listing (con't):

- OR17X CH 1/2" F.I.P. x 3/8" OD Compression, chrome plated, bagged
- OR17X R 1/2" F.I.P. x 3/8" OD Compression, rough brass
- OR17X R1 1/2" F.I.P. x 3/8" OD Compression, rough brass, window tray
- OR17ZX C 1/2" F.I.P. x 3/8" OD Compression, brass stem, chrome plated
- OR17ZX CBT 1/2" F.I.P. x 3/8" OD Compression, brass stem, chrome plated, bulk, plain tray
- OR37X C 1/2" F.I.P. x 1/2" OD Compression, chrome plated
- OR37X C1 1/2" F.I.P. x 1/2" OD Compression, chrome plated, window tray



PART DIMENSIONS (Inches)		
Model	DIM. A	DIM. B
OR15/ OR15Z	1.10	2.54
OR35 /OR35Z	1.22	2.64
OR07 / OR07Z	1.08	2.68

PART DIMENSIONS (Inches)		
Model	DIM. A	DIM. B
OR17 / OR17Z	1.10	2.68
OR27 / OR27Z	1.15	2.68
OR37 / OR37Z	1.23	2.70

Listings & Certifications:

- IAPMO listed to ASME A112.18.1-05 / CSA B125.1-05 (File # 0645)
- CSA listed to ASME A112.18.1-05 / CSA B125.1-05 (File # 204593)
- Compliant product CSA approved to California Health & Safety Code 116875 and Vermont Bill S.152 (Project # 2174785)



This specification and all information contained herein is the confidential and exclusive property of BrassCraft Manufacturing, and shall not be disclosed to others without the written consent of BrassCraft. This specification must be returned to BrassCraft if requested.

BrassCraft®