

58 x 38 Plus A Series Whirlpool & Soaking Baths



Product Features

- Durable easy-care acrylic construction
- Six fully adjustable color matched hydro jets
- Factory preset air controls for whirlpool action
- Textured slip resistant bottom
- Air activated on/off switch
- Heater blank, safety suction and silent air induction
- Available as an invigorating whirlpool and an unjetted soaking bath

General Specifications

- 58" length overall
- 38" width overall
- 20 1/2" depth overall
- 40 gallon operating capacity
- 50 gallon total capacity to overflow
- Electrical service requirements:
Motor 120 V., 50/60 Hz., Single Phase, Class B Insulation
- Ground fault circuit protection must be provided by installer
- Prewired for simple plug-in installation



PFWPLUSA5838WH

Model Numbers

- PFWPLUSA5838 58" X 38" acrylic oval whirlpool
 PFS5838 58" X 38" acrylic oval soaking bath
 MIRPRESSHTR Whirlpool heater

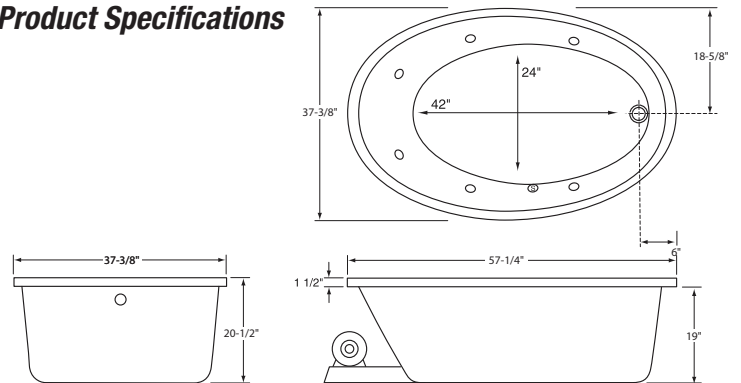
Recommended Parts

- MB644BN: 17-22 PVC Cable drain w/ trim - BN
 MB644CP: 17-22 PVC Cable drain w/ trim - CP
 MB644ORB: 17-22 PVC Cable drain w/ trim - ORB
 MB644PN: 17-22 PVC Cable drain w/ trim - PN
 MB643BN: 17-22 ABS Cable drain w/ trim - BN
 MB643CP: 17-22 ABS Cable drain w/ trim - CP
 MB643ORB: 17-22 ABS Cable drain w/ trim - ORB
 MB643PN: 17-22 ABS Cable drain w/ trim - PN

Color Palette

- White - WH
- Biscuit - BS

Product Specifications



Installation Instructions

Never allow the weight of the tub to be supported by lip on deck or stringers, as this could result in product failure and void the Warranty. If utilities are available, level and fill tub with water and test for proper operation and drainage or possible water leaks due to transit/handling damage. It is REQUIRED that the tub be supported by the tub bottom and not the tub lip. The lip should only rest on the finished deck surface or support stringers. The tub bottom must be supported by a setting compound such as cement or mortar (fast cure materials are not recommended due to excessive shrinkage). Failure to use a suitable setting compound will void the warranty. A sheet of plastic film on top of compound, is recommended as a barrier. The tub should be set in place (do not handle whirlpool by piping) while compound is still soft so that the compound will conform to the tub bottom. Tub should be worked down into compound so the lip of the tub just makes contact with finished deck surface or support stringers. It may be necessary to partially fill tub with water to aid in properly setting the tub.

NOTE: All dimensions and specifications are nominal and may vary $\pm 1/4"$.
 Use actual products for accuracy in critical situations.

