

PFXT300

Low Lead Threaded Gate Valves



Product Features

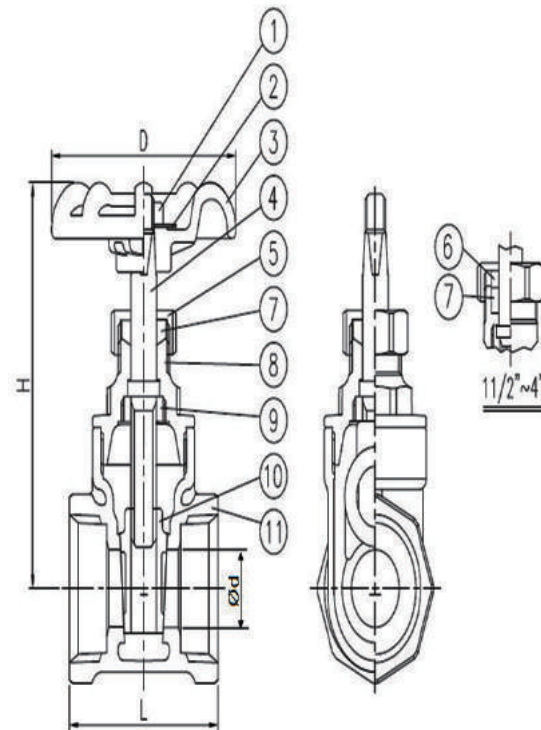
- Economy Brass Gate Valve
- Threaded ends
- Solid wedge disc
- Non-rising Stem
- Pressure Rating: 200 WOG
- Not steam rated
- Temperature rating: 180°F
- Low Lead Compliant
- Not for use at or below ground level



PFXT300M

NO	PART	MATERIAL
1	Wheel Nut	Steel
2	Name Plate	Aluminum
3	Hand Wheel	Aluminum
4	Stem	No-lead Brass
5	Packing Nut	Brass
6	Gland	Brass
7	Gland Packing	NBR
8	Bonnet	No-lead Brass
9	Locking Nut	Brass
10	Disc	No-lead Brass
11	Body	No-lead Brass

Product Specifications



MODEL	SIZE		L		H		D		d	
	in	mm	in	mm	in	mm	in	mm	in	mm
PFXT300D	1/2	12.7	1.54	39.0	2.87	73.0	2.13	54.0	0.47	12.0
PFXT300F	3/4	19.1	1.73	44.0	2.87	73.0	2.13	54.0	0.55	14.0
PFXT300G	1	25.4	1.85	47.0	3.27	83.0	2.13	54.0	0.75	19.0
PFXT300H	1-1/4	31.8	2.09	53.0	3.70	94.0	2.40	61.0	0.94	24.0
PFXT300J	1-1/2	38.1	2.20	56.0	4.49	114.0	3.03	77.0	1.22	31.0
PFXT300K	2	50.8	2.36	60.0	4.84	123.0	3.03	77.0	1.46	37.0
PFXT300L	2-1/2	63.5	2.80	71.0	5.83	148.0	3.27	83.0	1.93	49.0
PFXT300M	3	76.2	3.43	87.0	7.20	183.0	4.13	105.0	2.48	63.0
PFXT300P	4	101.6	3.98	101.0	8.27/8.35	210/212	4.41/5.20	112/132	2.95	75.0

Warranty and Codes

This PROFLO product carries a 1-year limited warranty.

Distributed Exclusively by Ferguson and Wolseley Canada



Compliant with
ANSI/NSF 61-G,372