



4700 W. 160th St.
Cleveland, OH 44135
PH: 800-321-9532
FX: 800-321-9535
www.oatey.com

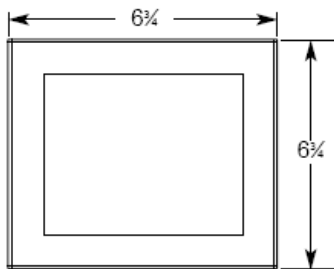
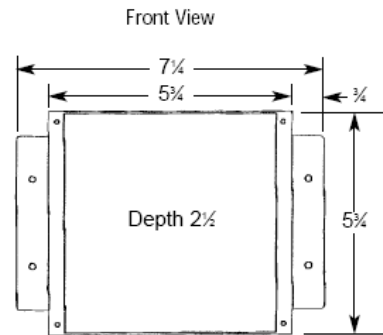
TECHNICAL SPECIFICATION

**METAL
ICE MAKER BOX**

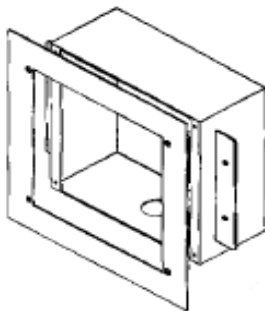


Engineering Specification: Oatey Metal Ice Maker boxes can be used in commercial or residential applications which require supply valves recessed into the wall. Box is made of galvanized steel with powder coat white finish. Metal box has flame spread rating 94 (per UL) and 94 HB (per ASTM).

Job Reference



Faceplate



(All dimensions in inches)

- ◆ All metal ice maker boxes are shipped 1 per carton
- ◆ Box made of 20 gauge steel
- ◆ Faceplate made of 28 gauge steel
- ◆ Nail support brackets
- ◆ Screw-on faceplate frame
- ◆ Valves comply with requirements of NSF Standard 61, Section 9
- ◆ Valves meet ASME A112.18.1
- ◆ Water Hammer Arrestor complies with ASSE Standard 1010

| ✓ | Product No. | Description | PACK | CARTON WEIGHT |
|--------------------|-------------|--|------|---------------|
| | 38687 | Plain Box – No Valves – Standard Pack | 1 | 3 lbs. |
| | 38689 | 1/4" Turn Brass Ball Valve – Copper Sweat – Standard Pack | 1 | 3 lbs. |
| | 38688 | 1/4" Turn Brass Ball Hammer Valve – Copper Sweat – Standard Pack | 1 | 4 lbs. |
| | 39141 | Metal 1/4" Turn, Copper, Low Lead- Standard Pack | 1 | 5 lbs. |
| | 39140 | Metal 1/4" Turn, Copper, Hammer, Low Lead – Standard Pack | 1 | |
| Accessories | | | | |
| | 38686 | Metal Faceplate for Metal IMB | 1 | 1 lbs. |



IAPMO Listed

Data is subject to manufacturing tolerances.