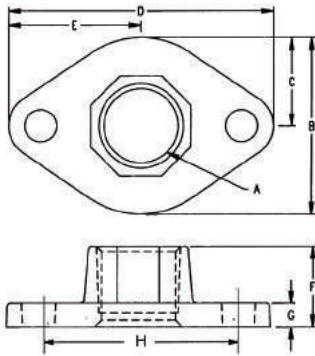


StainlessSteel *freedom* FLANGE®

- Fits all Stainless Steel 00® circulators, 110 Series and 2400 Series
- Easy-On, Easy-Off with a common adjustable wrench
- NSF-372 Certified for low lead
- Nuts & Bolts included
- Stainless Steel flanges available in sizes: 3/4", 1", 1-1/4", 1-1/2", 2", 2-1/2" and 3" NPT



Fig. A



Stainless Steel *freedom* FLANGE®

Fits all 00® models (except 0012), 110-113 and 2400-10/20/45/50

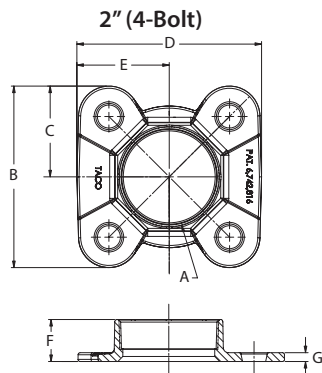
Figure	Product#	Size A	B	C	D	E	F	G	H
A	110-251SF	3/4" NPT	2-3/4"	1-3/8"	4-1/8"	2-1/16"	1"	7/32"	3-1/8"
A	110-252SF	1" NPT	2-3/4"	1-3/8"	4-1/8"	2-1/16"	1"	7/32"	3-1/8"
A	110-253SF	1-1/4" NPT	2-3/4"	1-3/8"	4-1/8"	2-1/16"	1"	7/32"	3-1/8"
A	110-254SF	1-1/2" NPT	2-3/4"	1-3/8"	4-1/8"	2-1/16"	1"	7/32"	3-1/8"

Fits 0012-SF4, 2400-30S/40S

Figure	Product#	Size A	B	C	D	E	F	G	H
A	194-1540SF	1-1/4" NPT	2-15/16"	1-15/32"	4-3/4"	2-3/8"	1"	7/32"	3-7/16"
A	194-1542SF	1-1/2" NPT	2-15/16"	1-15/32"	4-3/4"	2-3/8"	1"	7/32"	3-7/16"

1-1/2" Flange set included in each 0012-SF4 box.

Fig. B



Fits 0012-SF4-1 (2"), 2400-50S/2

Figure	Product#	Size A	B	C	D	E	F	G	H
A	194-2124SF	2" NPT	3-5/8"	1-13/16"	5-9/16"	2-25/32"	1"	7/32"	4-1/8"

2" Flange set included in each 0012-SF4-1 box.

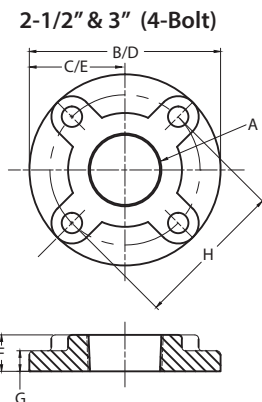
Fits 2400-60S, 2400-65S and 2400-70S

Figure	Product#	Size A	B	C	D	E	F	G	H
B	185-086S	2" NPT	4-5/16"	2-3/16"	4-3/8"	2-3/16"	1"	1/4"	4-1/8"

Fits 2400-70S/3

Figure	Product#	Size A	B	C	D	E	F	G	H
C	185-112S	2-1/2" NPT	6-5/8"	3-5/16"	6-5/8"	3-5/16"	1-1/8"	11/16"	5-1/4"
C	185-113S	3" NPT	6-5/8"	3-5/16"	6-5/8"	3-5/16"	1-1/8"	11/16"	5-1/4"

Fig. C



All dimensions are nominal.