

36CLF Series

Water Pressure Reducing Valve

LEAD FREE



Job Name:	
Job Location:	
Engineer:	
Contractor:	
Tag:	
PO#:	
Rep:	
Wholesale Dist.:	

DESCRIPTION

The Apollo Lead Free* Pressure Reducing Valve Model PRC (36CLF Series) is designed to protect residential and commercial water distribution systems by automatically controlling excessive pressure changes. The valve's integral thermoplastic cage provides maximum corrosion resistance. Designed for easy in-line servicing with bottom cleanout access to seat disc and strainer. The valve is built for long reliable service with proven ASTM grade Lead Free* materials.

FEATURES

- Built-In Thermal Expansion Bypass
- Balanced Piston Design
- Sealed Spring Cage For Vault Installations
- SS Adjusting Screw & Nut
- Bottom Access to Seat Disc & SS Strainer
- Factory Preset at 50 psi
- NPT, Solder, PEX, CPVC, Press Connections
- 100% Manufactured in USA

APPROVALS

- City of Los Angeles Approved
- NSF/ANSI 372 - Lead Free
- ASSE 1003
- CSA B356

PERFORMANCE RATING

- Maximum Supply Pressure: 400 psig
- Std. Temperature Range: 33°F - 180°F
- Maximum Set Pressure:
Standard: 75 psi
High Pressure: 125 psig

OPTIONS

- (-P) - Tapped w/plug
- (-G) - Tapped w/gauge
- (-02) - 10-35 psig
- (-03) - 75-125 psig
- (36C) - with Standard Material

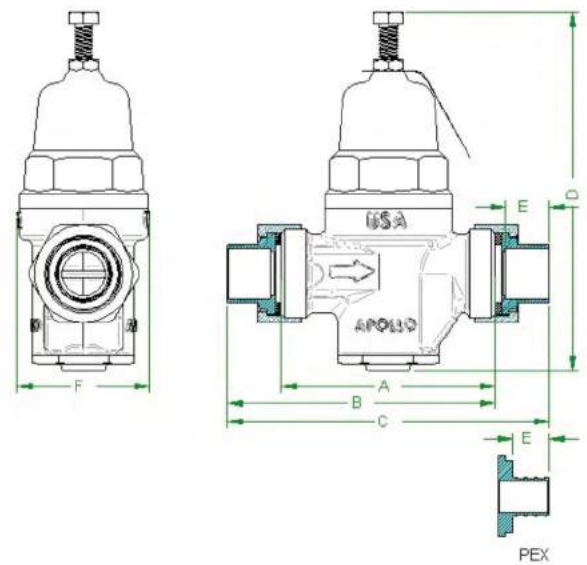
STANDARD MATERIALS LIST

BODY	Lead Free* Bronze, UNS 89836
UNION NUT	BRASS, ASTM B16
TAILPIECE	Lead Free* Brass, UNS C27451
SCREEN	Stainless Steel
CAP	Noryl
DIAPHRAGM	NSF Grade EPDM
SEAT DISC	NSF Grade EPDM
ADJUSTING SCREW/NUT	Stainless Steel
SPRING	Stainless Steel, ASTM A228
O-RINGS	NSF Grade EPDM

DIMENSIONS

SIZE (IN.)	CONNECT TYPE	DIMENSIONS (IN.)						WT. (UNION) LB. EACH
		A	B	C	D	E	F	
1/2"	THREAD	3.625	4.50	5.375	6.00	0.625	2.75	3.5
	SOLDER	3.625	4.50	5.50	6.00	0.50	2.75	3.4
	PEX	3.625	4.50	5.50	6.00	0.625	2.75	3.3
	CPVC	3.625	4.25	5.00	6.00	0.50	2.75	3.1
	PRESS	3.625	-	5.875	6.00	-	2.75	2.99
3/4"	THREAD	3.625	4.50	5.50	6.00	0.625	2.75	3.4
	SOLDER	3.625	4.50	5.50	6.00	0.75	2.75	3.3
	PEX	3.625	4.625	5.625	6.00	0.625	2.75	3.2
	CPVC	3.625	4.50	5.50	6.00	0.625	2.75	3
	PRESS	3.625	-	5.75	6.00	-	2.75	3.04
1"	THREAD	3.75	4.625	5.75	6.00	0.625	3.375	4.5
	SOLDER	3.75	4.625	5.75	6.00	0.875	3.375	4.4
	PEX	3.75	4.75	6.00	6.00	0.75	3.375	4.3
	CPVC	3.75	4.75	6.00	6.00	0.9375	3.375	4
	PRESS	3.625	-	5.875	6	-	3.375	3.46

Nominal dimensions are shown. Allowances must be made for manufacturers' tolerances.



*LEAD FREE: The wetted surfaces of this product shall contain no more than 0.25% lead by weighted average. Complies with Federal Public Law 111-380. ANSI 3rd party approved and listed.

36CLF Series

Water Pressure Reducing Valve

LEAD FREE

PART NUMBER MATRIX

36CLF 36C	X	XX	X	X	X
SERIES	CONNECTION	SIZE	GAUGE	PRESSURE RANGE	OPTION
36CLF (LEAD FREE)	1 - SINGLE UNION NPT	03 - 1/2"	0 - WITHOUT GAUGE	1 - 25 - 75 PSIG RANGE	C - CPVC TAILPIECE
36C	2 - NO UNION NPT	04 - 3/4"	P - W/ GAUGE PORT PLUGGED	2 - 10 - 35 PSIG RANGE	P - PUSH*
	3 - SINGLE UNION SOLDER X NPT	05 - 1"	G - W/ GAUGE	3 - 75 - 125 PSIG RANGE	PR - PRESS**
	4 - DOUBLE UNION NPT				
	5 - DOUBLE UNION SOLDER				
	9 - DOUBLE UNION PEX B/C F1807				

* Available in Direct Connection

** Available in Direct Connection, and Double Union

WATER CAPACITY (GPM)

FALL-OFF (PSI)	PRESSURE DIFFERENTIAL (PSI)		
	25	50	75
5	1.3	1.5	1.7
10	4.7	5.5	6.3
15	10.6	12.5	14.4
20	15.3	18	20.7
5	2.1	2.5	2.9
10	6.8	8	9.2
15	13.2	15.5	17.8
20	18.3	21.5	24.7
5	2.8	3.3	3.7
10	8.5	10	11.5
15	15.3	18	20.7
20	21.3	25	28.8

