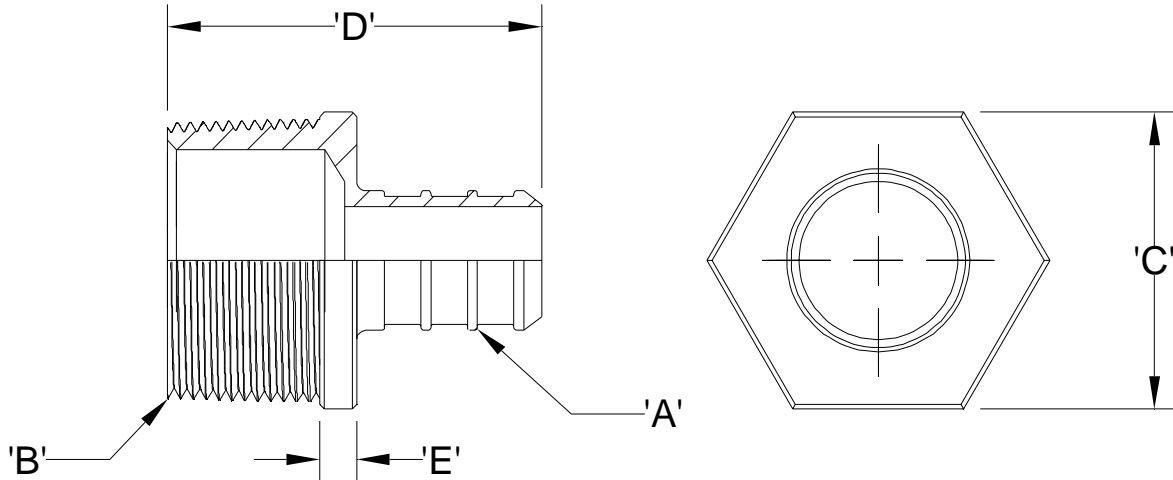




Zurn PEX® XL-Low Lead Brass Barb x MPT Adapter - QQMC_GX Specification Sheet

Tag _____

Dimensional Data: Inches and [mm] are subject to manufacturing tolerances and change without notice.



NOTE: Barb geometry will vary depending upon barb size.

Part Number	Description	'A'	'B'	'C'	'D'	'E'
QQMC33GX	1/2" Barb x 1/2" MPT	1/2" Barb	1/2" - 14 NPT	0.88" [22.4]	1.44" [36.6]	0.25" [6.4]
QQMC34GX	1/2" Barb x 3/4" MPT	1/2" Barb	3/4" - 14 NPT	1.06" [26.9]	1.56" [39.6]	0.31" [7.9]
QQMC43GX	3/4" Barb x 1/2" MPT	3/4" Barb	1/2" - 14 NPT	0.88" [22.4]	1.44" [36.6]	0.25" [6.4]
QQMC44GX	3/4" Barb x 3/4" MPT	3/4" Barb	3/4" - 14 NPT	1.06" [26.9]	1.56" [39.6]	0.31" [7.9]
QQMC45GX	3/4" Barb x 1" MPT	3/4" Barb	1" - 11.5 NPT	1.31" [33.3]	1.75" [44.5]	0.38" [9.7]
QQMC54GX	1" Barb x 3/4" MPT	1" Barb	3/4" - 14 NPT	1.06" [26.9]	1.73" [43.9]	0.31" [7.9]
QQMC55GX	1" Barb x 1" MPT	1" Barb	1" - 11.5 NPT	1.31" [33.3]	1.92" [48.8]	0.38" [9.7]
QQMC66GX	1-1/4" Barb x 1-1/4" MPT	1-1/4" Barb	1-1/4" - 11 NPT	1.75" [44.5]	2.63" [66.8]	0.38" [9.7]
QQMC77GX	1-1/2" Barb x 1-1/2" MPT	1-1/2" Barb	1-1/2" - 11.5 NPT	2.00" [50.8]	2.43" [61.7]	0.25" [6.4]
QQMC88GX	2" Barb x 2" MPT	2" Barb	2" - 11 NPT	2.44" [62.0]	3.06" [77.7]	0.50" [12.7]

Engineering Specification: Zurn PEX® XL-Low Lead Brass Barb x MPT Adapter. The QQMC_GX adapter is used to transition from female pipe thread to PEX tubing. Manufactured from EcoBrass®, C69300. These fittings, as a system with Zurn PEX® tube, are pressure rated at 160 PSI at 73°F, 100 PSI at 180°F, and 80 PSI at 200°F. These fittings are listed by NSF as complying with the following standards: NSF/ANSI Standard 14, NSF/ANSI Standard 61 including Annex G, ASTM F877, CSA B137.5, and ASTM F1807.

Accessories

- ___ QCLP3X 1/2" QuickClamp® Crimp Ring
- ___ QCLP4X 3/4" QuickClamp® Crimp Ring
- ___ QCLP5X 1" QuickClamp® Crimp Ring
- ___ QCR3X 1/2" Copper Crimp Ring
- ___ QCR4X 3/4" Copper Crimp Ring
- ___ QCR5X 1" Copper Crimp Ring
- ___ QCR6X 1-1/4" Copper Crimp Ring
- ___ QCR7X 1-1/2" Copper Crimp Ring
- ___ QCR8X 2" Copper Crimp Ring
- ___ QSOET3X 1/2" Stainless Steel Crimp Ring
- ___ QSOET4X 3/4" Stainless Steel Crimp Ring
- ___ QSOET5X 1" Stainless Steel Crimp Ring

Rev.	Date: 2/22/10	C.N. No. 110733
Dwg. No. 84487	Prod. No. QQMC_GX	