

LOW LEAD COMPLIANT WATER SERVICE IN-LINE CHECK VALVE w/PRESS ENDS

The FNW figure X431 press check valve for water service is suggested for all applications where labor and time savings is a must. The figure X431 allows quick installation on copper pipelines meeting ASTM B88 standards. The structure of the valve, made in dezincification resistant brass, guarantees excellent corrosion resistance particularly in the connection areas of the pipeline.

Features:

- 200 PSI Max. Working Pressure
- Temperature Range from 10°F to 250°F
- Press Ends
- High Capacity
- NSF 61 Annex G Certified (UL)
 (Annex G references NSF 372)
- True 2-Piece Design
- Drip Fit O-rings
- No Soldered-In End Pieces
- Low 1/2 PSI Cracking Pressure
- Patented Obstructor Guide Prevents Side Loading
- Flow Profile Designed to Minimize Head Loss
- Spring Loaded Soft Seat for Bubble Tight Shutoff
- Forged Brass Body
- Sizes 1/2" to 2"
- 100% DZR Brass offering greater protection from corrosion and cracking

* NOT RECOMMENDED FOR BURIED SERVICE



Low Lead Compliant: Referring to laws defining "Lead Free" as wetted surface of pipe, fittings and fixtures in potable water systems that have a weighted average lead content $\leq 0.25\%$ per the Safe Drinking Water Act (Sec. 1417) amended 1-4-2011 as well as other state regulations.



Drip Fit O-rings



The Drip Fit o-rings ensure that an unpressed end will drip. This is an added safety feature to ensure unpressed ends are discovered and corrected.

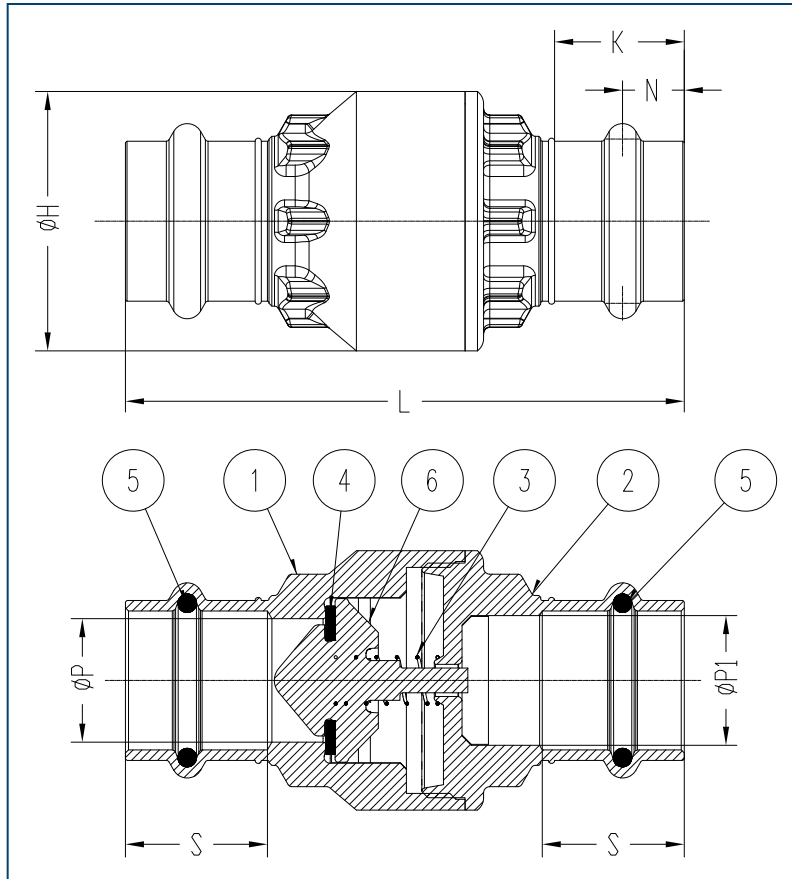
Figure Number Matrix

FNW X431 Size
SIZE CODE
1/2 = D
3/4 = F
1 = G
1-1/4 = H
1-1/2 = J
2 = K

Cv & Weights

Size	Cv	Wt. (Lbs)
1/2	5.2	0.34
3/4	9.4	0.56
1	14.5	0.85
1-1/4	23.5	1.19
1-1/2	33.5	1.92
2	52	2.86

LOW LEAD COMPLIANT WATER SERVICE IN-LINE CHECK VALVE w/PRESS ENDS



Dimensions (Inches)

Size	$\varnothing P$	$\varnothing P1$	S	K	N	$\varnothing H$	L
1/2	0.59	0.59	0.71	0.67	0.31	1.36	2.99
3/4	0.79	0.83	0.91	0.83	0.39	1.65	3.56
1	0.98	1.07	0.94	0.83	0.39	1.93	3.94
1-1/4	1.26	1.34	1.02	0.83	0.39	2.40	4.09
1-1/2	1.57	1.57	1.42	1.02	0.49	2.87	4.98
2	1.97	1.97	1.57	1.20	0.59	3.46	5.61

Standard Materials

Ref. No.	Description	Material	Qty
1	Body	Brass CW 511L	1
2	End Connection	Brass CW 511L	1
3	Spring	Stainless Steel AISI 302	1
4	Gasket Ring	NBR	2
5	O-Ring	EPDM	2
6	Obstructor	Polyetherimide	1

DOC: FNWX431V13 Ver. rev-06/2016

© 2016 - FNW. All rights reserved.

The FNW logo is a registered trademark of Ferguson Enterprises, Inc., PL Sourcing, PO Box 2778, Newport News, VA 23609

The contents of this publication are presented for information purposes only, and while effort has been made to ensure their accuracy, they are not to be construed as warranties or guarantees, expressed or implied, regarding the products or services described herein or their use or applicability. All sales are governed by our terms and conditions, which are available on request. We reserve the right to modify or improve the designs or specifications of our products at any time without notice. Always verify that you have the most recent product specifications or other documentation prior to the installation of these products.