

**PFAAV6T**



## ***Air Admittance Valves***

### ***Product Features***

- Includes 1-1/2" polypropylene tubular adapter
- Unique technology opens at -0.01 psi and seals at 0 psi and above
- Screening on air inlets to guard the seal
- Protective rubber sleeve provides grip for installation and keeps valve free from debris
- 100% functionally tested at 1/4" H<sub>2</sub>O and 30" H<sub>2</sub>O ensuring trouble-free performance
- Limited lifetime warranty



### ***Model Numbers***

SKU	Description	DFU Rating	Adapter
PFAAV6TA	20 BR/8 STK AAV 1.5 BLK TBLR ADPT	20 Branch, 8 Stack	1-1/2"
PFAAV6T	20 BR/8 STK AAV 1.5 PLAS TUB ADPT	20 Branch, 8 Stack	1-1/2"

### ***General Specifications***

An air admittance valve shall be acceptable as a vent termination for any individual vent, common vent, circuit vent, loop vent, island fixture vent, vent stack or stack vent to prevent siphonage of a fixture trap.

The purpose of an air admittance valve is to provide a method of allowing air to enter the plumbing drainage system without the use of a vent extended to open air and to prevent sewer gases from escaping into the building. An air admittance valve is a one-way valve designed to allow air to enter the plumbing drainage system when negative pressures develop in the piping system. The device shall close by gravity and seal the vent terminal at zero differential pressure (no flow conditions) and under positive internal pressures.

### ***Product Location Specifications***

- Should be located a minimum of 4" above the weir of fixture trap for single fixture and branch venting and 6" above flood level of highest fixture for stack venting
- Each valve should be installed in an accessible location



**PFAAV6T**



# Air Admittance Valves

## Product Specifications

### Part Materials

- A PVC valve with unique seal technology
- B Polypropylene tubular adapter

## Warranty

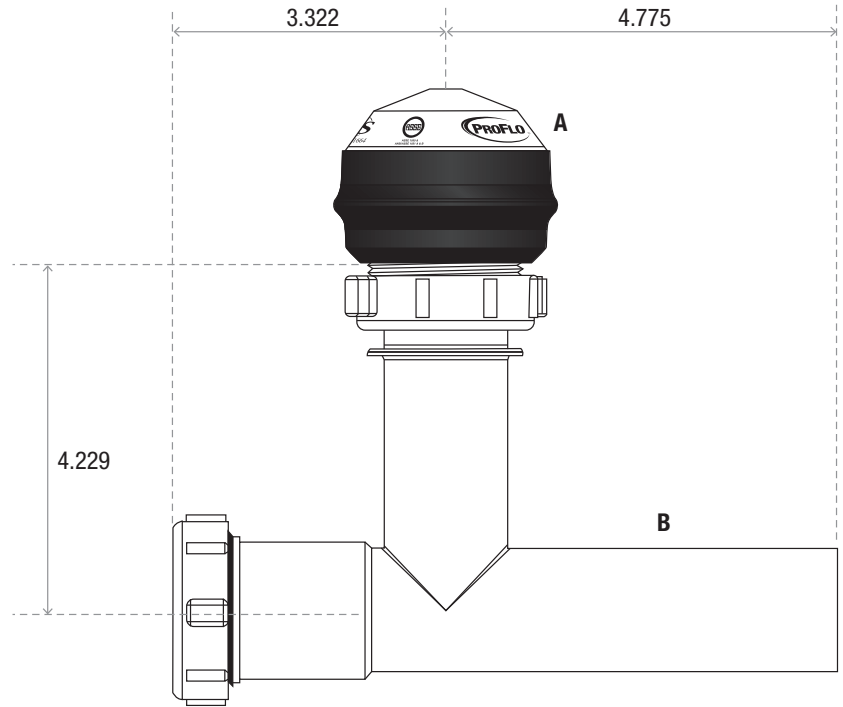
This PROFLO product carries a limited lifetime warranty.

## Performance Standards

- ASSE 1050 & 1051
- ICC ESR - 1664
- NSF Standard 14
- IAPMO - classified mark
- ASTM F-409

## Code Approvals

- International Plumbing Code (IPC) 2003
- International Residential Code (IRC) 2003



**All dimensions in inches.**

