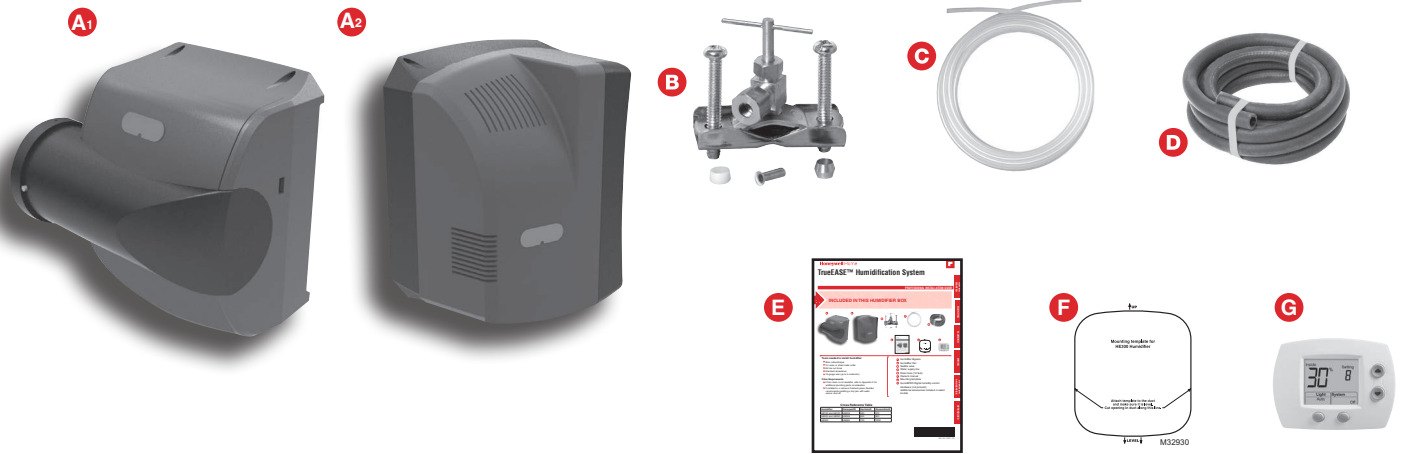




TrueEASE™ Humidification System

PROFESSIONAL INSTALLATION GUIDE

INCLUDED IN THIS HUMIDIFIER BOX



Tools needed to install humidifier

- ▶ Wire cutter/stripper
- ▶ Tin snips or sheet metal cutter
- ▶ #8 hex nut driver
- ▶ Standard screwdriver
- ▶ 18-gauge wire (up to 5 conductor)

Other Requirements

- ▶ If floor drain is not available, refer to Appendix C for additional plumbing parts consideration.
- ▶ If installed in or above a finished space, Resideo recommends installing a drip pan with water sensor shut-off.

- A₁ Humidifier Bypass
 - A₂ Humidifier Fan
 - B Saddle valve
 - C Water supply line
 - D Drain hose (10 feet)
 - E Owner's manual
 - F Mounting template
 - G HumidiPRO Digital humidity control
- Hardware (not pictured)
Additional accessories included in select models

Cross Reference Table

Humidifier	Honeywell Home	Aprilaire®	GeneralAire®
HE100 and HE150	HE225	500	570
HE200 and HE250	HE265	600	900
HE300	HE365	700	1000



Humidifier

GETTING STARTED

Safety Definitions and Precautions	2
What to Expect From Your Humidifier	3
Important Installation Requirements	4

MOUNTING

Choosing a Mounting Method	5
STEP ONE: Select the Mounting Location	6
STEP TWO: Install Mounting Template to the Duct	6
Bypass Model Installation	7
STEP THREE: Configure Humidifier Bypass	7
STEP FOUR: Installation	8
STEP FIVE: Bypass Duct Installation	9
Fan Model Installation	10
STEP THREE: Installation	10

PLUMBING

Water Supply and Drain Connections	11
STEP ONE: Connect the Water Supply	11
STEP TWO: Tap into a Water Line	11
STEP THREE: Connect to the Water Drain	14

WIRING

Before Wiring Humidifier	13
STEP ONE: Remove the Humidifier Cover	13
STEP TWO: Understand the Wiring Terminals	13
STEP THREE: Understand the DIP Switches	14
STEP FOUR: Install the Transformer (Bypass Models Only)	14
STEP FIVE: Wiring Humidifier	14

Installing the Humidistat	15
Remote Installation (H6062)	15
Duct Installation (H6062)	15-16
Wiring the Humidistat	16
Wiring Configuration Advanced Models (HE150/HE250/HE300)	17
Basic Models (HE100/HE200)	17
Outdoor Sensor	18-19

OPERATION AND SERVICE

Startup and Checkout	23
Routine Maintenance	24
Troubleshooting	25

APPENDICES

A: Specifications	26
B: Advanced Wiring	27
C: Advanced Draining	32
D: Parts List	33

GETTING
STARTED

MOUNTING

PLUMBING

WIRING

OPERATION
AND SERVICE

APPENDICES





NEED HELP? For assistance with this product please visit <http://honeywellhome.com> or call Customer Care toll-free at 1-800-468-1502.

Read and save these instructions.

Safety Definitions and Precautions




Safety Definitions

These safety terms identify information you must read prior to installing or operating the humidifier.

-  **CAUTION:** Indicates a hazardous situation which, if not avoided, could cause bodily injury or property damage.
-  **WARNING:** Indicates a hazardous situation which, if not avoided, could result in death or serious injury.

Safety Precautions

Make sure you read and understand the following safety hazards before installing, using, or working with the humidifier:

-  **CAUTION:** Voltage Hazard.
Can cause electrical shock or equipment damage.
Disconnect HVAC equipment and any electrical outlet being used for the humidifier installation.
-  **WARNING:** Electrocution and Water Hazard.
Can cause death, blindness, and water damage to the home and HVAC Equipment.
-  **CAUTION:** Condensation, Fire, and Freezing Water Hazard.
Can cause failure of fan or limit control or result in water damage to home.

What to Expect From Your Humidifier

The installer should review these points with the homeowner and answer any questions they have before leaving the job site.

- **Achieving Humidity Setpoint.** It may take up to a week of continuous operation to achieve the humidity setpoint, especially if the home is dry when the humidifier is installed. This also depends on such factors as weather, size of home, furnishings in the home, and insulation.
- **Ideal Humidity.** Home building industry experts cite 35% relative humidity as ideal for comfort and safeguarding the home during the typical dry season. Homeowners can adjust to their own comfort or until there is condensation on the windows. Lower the setpoint if condensation appears.
- **Unit Not Humidifying.** If the humidifier is not running but the humidity is below the setpoint, the humidity control may have a frost protection setting to prevent window condensation from appearing.
- **Home Ventilation.** Excessive ventilation sends moist air outside and replaces it with dry air. This can make it hard to maintain the humidity setpoint. If installing a ventilator, use a solution that retains moisture. An Energy Recovery Ventilator (ERV) is recommended.
- **Cleaning Requirements.** The humidifier pad should be changed at least once a year. The water trays of the humidifier should be cleaned at that time. See Operation and Service section for details.
- **Energy Consumption.** It is important to explain that with any humidification solution there is a cost associated with converting water to humidity. The humidifier utilizes the air heat and air flow in your ducting to make this conversion, which has gas and/or electric costs that depend on your HVAC system type and setup.

Important Installation Requirements

Failure to comply with these requirements will result in voided warranty, improper installation, and service callbacks.

Personal Safety

- Wear safety glasses while installing the humidifier.
- Do not cut into any air conditioning or electrical line.
- Follow professional safety standards and all local regulations for plumbing, electrical, and mechanical considerations.

Mounting Location

- Mount the humidifier in a level position to avoid water damage and ensure maximum output.
- Location must have access to a water line, drain, and power.
- Do not install the humidifier where the ambient temperature is lower than 34°F (1.1°C) or higher than 90°F (40°C).
- Mounting area must be strong enough to support humidifier weight (up to 16 lbs [Fan] or 10 lbs [Bypass]).
- Do not mount directly to ductboard.
- If used near a pool or spa, make sure the humidifier can not fall into the water or be splashed.
- Ensure that the top and bottom covers of the humidifier can be removed and that the pad is accessible from the chosen location.

Water Supply and Drainage

- Consult local plumbing codes for drain size, material, and maximum temperature allowed.

If Replacing an Old Bypass Humidifier

The humidifier is not identical in size and shape to other bypass humidifiers. Before performing a retrofit installation, you might need to:

- Dry-fit the humidifier to the existing ducting, plumbing, and wiring before fastening it to the duct to ensure that the existing connections will reach the humidifier.
- If the duct opening of the old humidifier is not the right size for the humidifier, choose a new location or cover the old opening with a piece of sheet metal and cut a new opening specifically for the humidifier using the template provided.

Cross Reference Table

Humidifier	Honeywell Home	Aprilaire®	GeneralAire®
HE100 and HE150	HE225	500	570
HE200 and HE250	HE265	600	900
HE300	HE365	700	1000

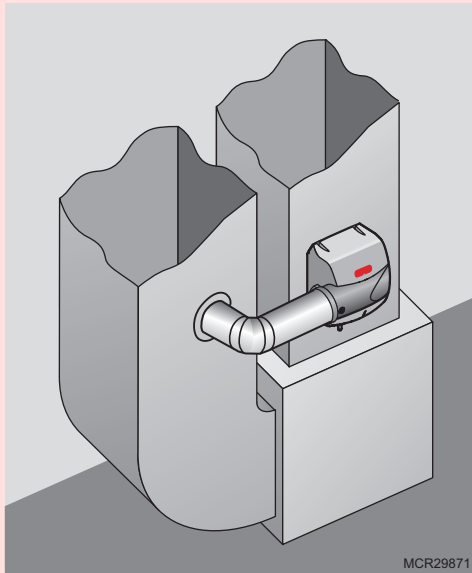
Choosing a Mounting Method

Whether you purchased a Bypass or Fan humidifier will determine how your humidifier will be installed:

Which humidifier do you have?

Bypass:

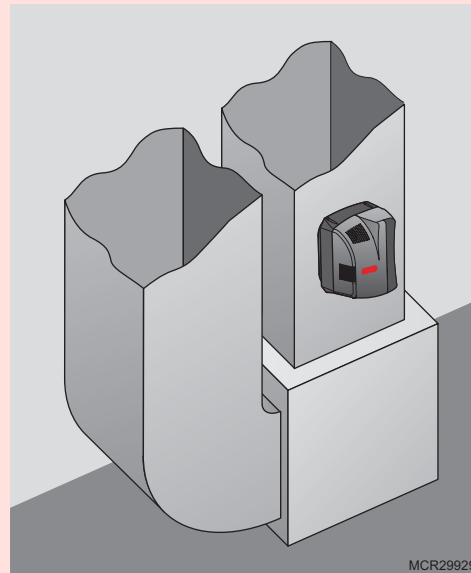
Bypass humidifiers use the pressure difference between the supply and return to move duct air through the humidifier. Access to both the supply and return are required. The bypass humidifier can be positioned on either the supply or return duct.



Fan:

Fan humidifiers use an internal fan to move duct air through the humidifier pad and back into the duct for distribution throughout your home. The fan model is commonly installed directly onto the supply (hot) air duct of your HVAC system.

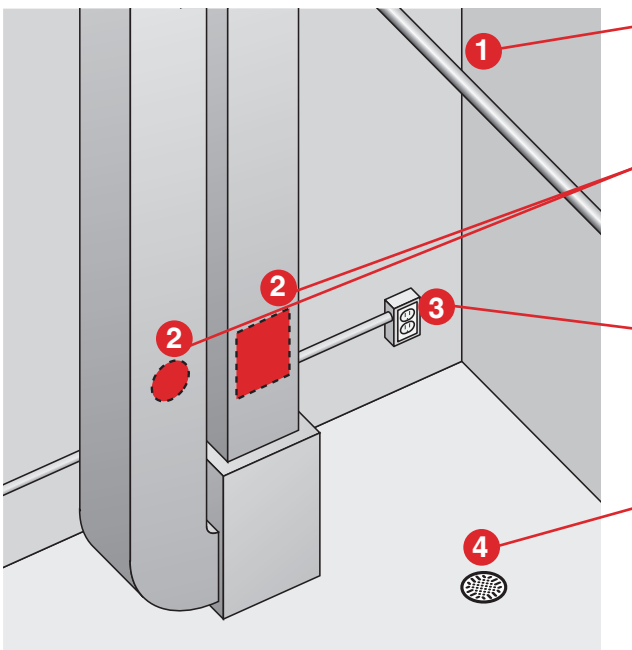
The fan model can be installed on the return (cool) air duct, if the location permits. When a return-side installation is used, it is highly recommended to plumb warm water since humidity is produced by evaporation.



Before beginning Mounting:

- I have confirmed local codes for proper plumbing practices.
- I have chosen an installation location that meets the requirements on page 4.

STEP ONE: Select the Mounting Location



MCR29877

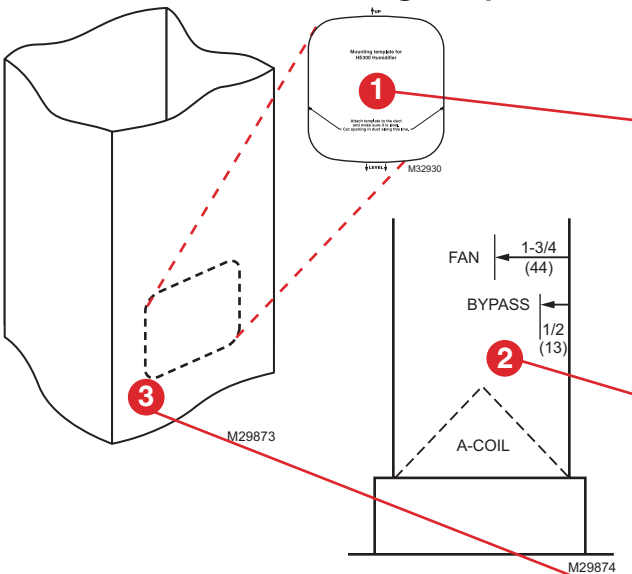
Choose a location that has access to a water supply pipe. Cold or hot water can be used.

Select a vertical or horizontal surface on the HVAC duct work, with adequate space clearances, where the humidifier can be mounted.

Location must also have access to 120 VAC power. For the HE300 Fan humidifier, the power cord is 6 feet long.

Ensure the location is near a drain. Consult local plumbing codes for proper drainage. If no main floor drain is available, see “Appendix C: Advanced Draining.”

STEP TWO: Install Mounting Template to the Duct



Position the template on the duct.

- Make sure the template is level and in the desired position on the duct. Peel adhesive backing and press template firmly into place in desired mounting location.

Ensure proper clearances from the air-conditioning coil inside the duct.

NOTE: The HE300 Fan model extends into the duct 1-3/4 inch. Bypass models extend into the duct 1/2 inch. Ensure clearance inside the duct.

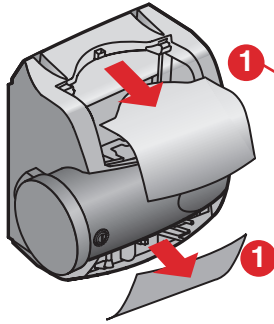
- For best performance, maintain at least 24 inches downstream of open air space inside the duct.

Cut the sheet metal, following the template outline.

If you are installing HE300 Fan model, proceed to page 10.

Bypass Model Installation

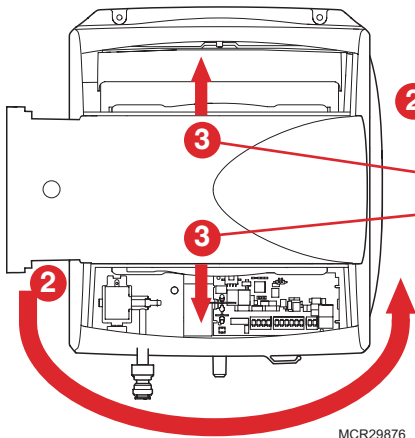
STEP THREE: Configure Humidifier Bypass



MCR29875

Configure the humidifier bypass outlet to the side that best fits the application.

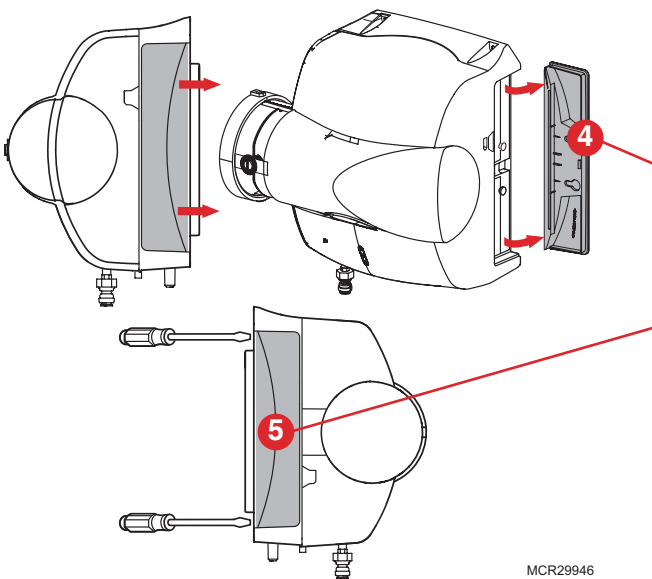
If the bypass needs to be on the other side, remove the top and bottom covers.



MCR29876

Unplug the damper wire and plug in on the other side (HE150/HE250 only).

Pull the bypass clamps apart from center to remove the bypass; snap it back into place with the outlet on the desired side.



MCR29946

Ensure that the pad is accessible. The handle of the pad holder and side panel of the humidifier can be switched so the pad holder can be removed (opposite side of the bypass duct opening).

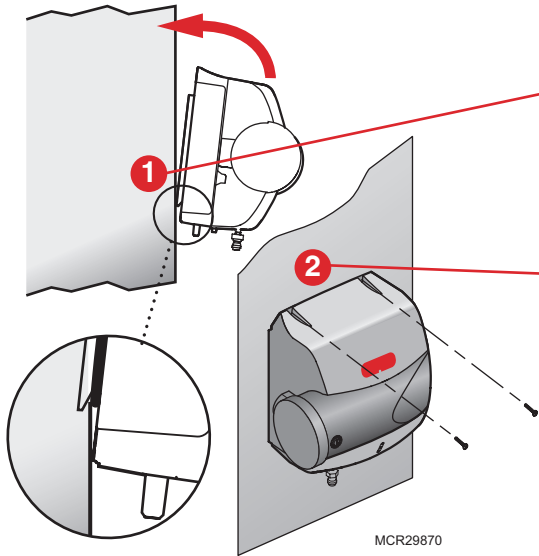
To remove the handle for the pad holder, slide it toward the back of the humidifier, then pull it away from the humidifier.

To remove the opposite side panel, place a screwdriver into the two slots on the back of the humidifier, and pop the panel off.

Snap the pad holder handle and side panel back into place in the desired configuration.

Bypass Model Installation

STEP FOUR: Mounting



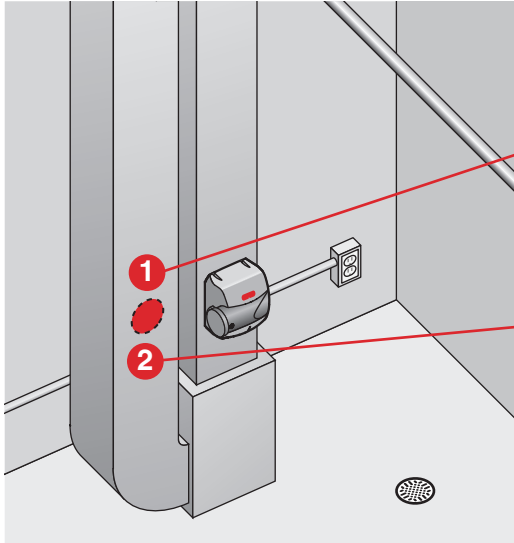
Secure the support hooks on Bypass models to the bottom lip of the hole.

Push the top of the humidifier back against the duct.

Verify the humidifier is level and fasten the humidifier to the duct using two self-drilling sheet metal screws provided.

Bypass Model Installation

STEP FIVE: Bypass Duct Installation

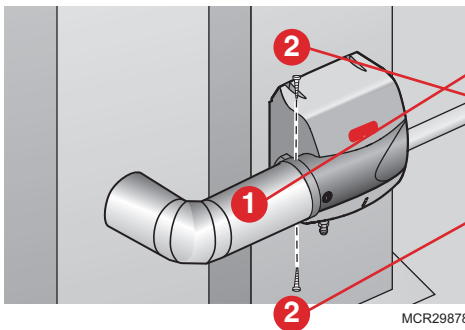


MCR29933

On the duct opposite the humidifier Bypass install, cut a 6-in. diameter duct hole.

- If the humidifier is on the supply duct, the 6-in. diameter hole should be on the return.
- If the humidifier is on the return duct, the 6-in. diameter hole should be on the supply.

Secure a 6-in. round duct starter collar into the 6-in. duct hole.



MCR29878

Use rigid or aluminized flexible 6-in. duct to connect the starter collar to the humidifier bypass port.

Secure the duct to the humidifier port with self-drilling sheet metal screws using the pre-drilled holes on the bypass port. For added seal, wrap sheet metal tape around the duct to port connection point.

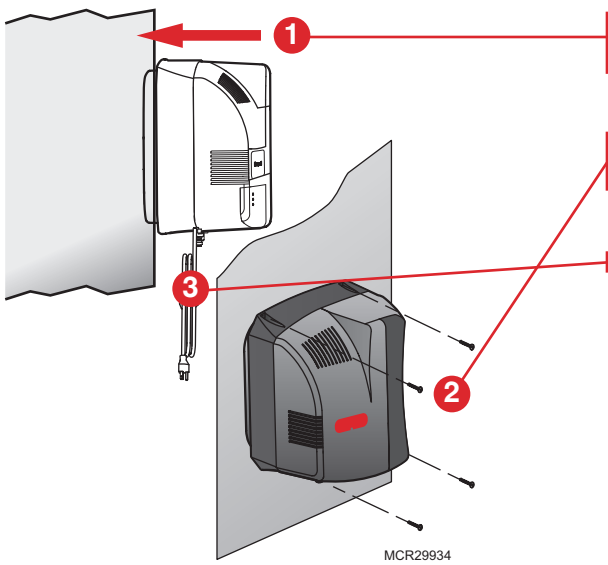
Bypass mounting is complete. Go to page 15.

Before proceeding to the next step:

I secured the humidifier to the duct as instructed.

Fan Model Installation

STEP THREE: Mounting



Slide the Fan model evenly into the duct hole. Verify the humidifier is level.

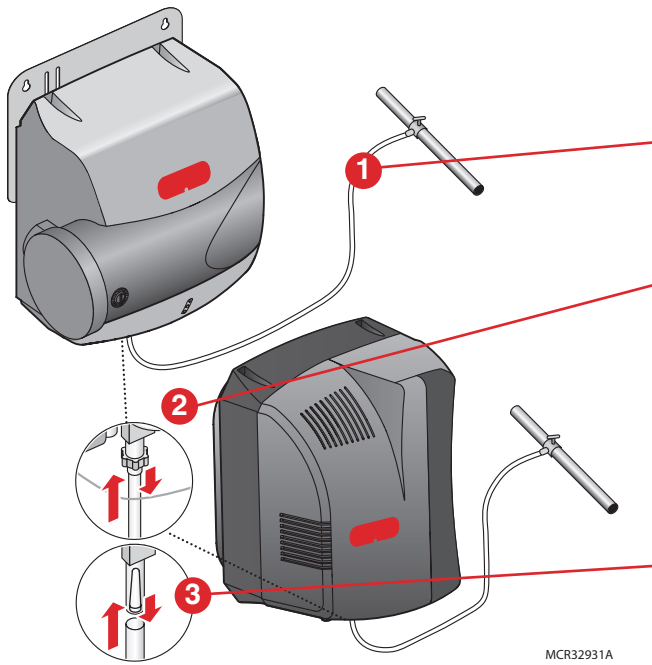
Fasten the humidifier to the duct using four self-drilling sheet metal screws provided.

Do not plug the humidifier in yet.

MOUNTING

Water Supply and Drain Connections

STEP ONE: Connect the Water Supply



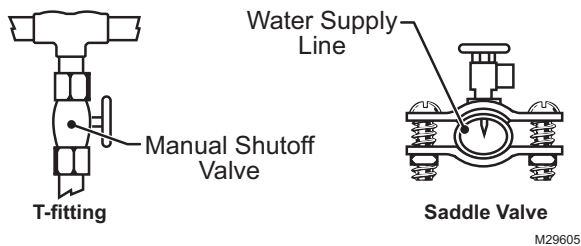
Use hot or cold water.

Cut the water line so it reaches from the humidifier to the main water supply tap.

Insert the water line into the gray quick connect fitting. Insert it fully, and apply modest pull pressure to ensure a tight fit.

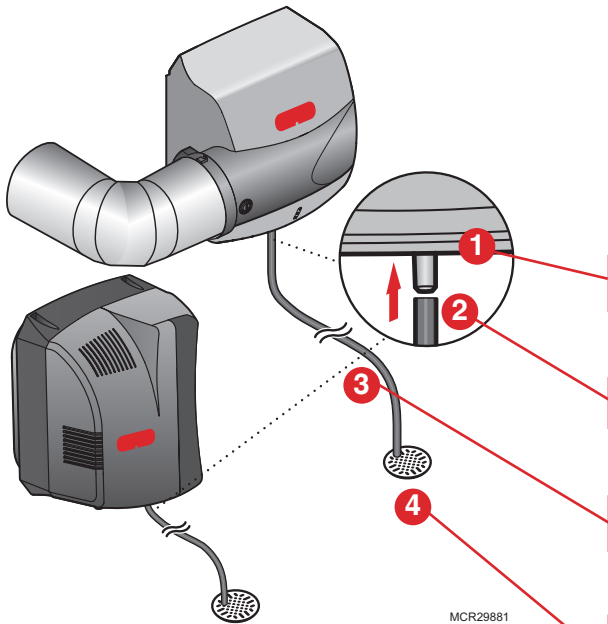
Note: The quick connect fitting can be removed if you prefer to use a standard 1/4-in. brass compression nut plumbing connection. Do not remove the filter if you select this option.

STEP TWO: Tap into a Water Line



- Consult local codes for proper plumbing.
- Use the saddle valve provided or a T-fitting and manual shutoff valve to tap into the water line.
- Refer to the literature included with the valve you chose and the local plumbing codes. Use proper technique for the valve.
- Connect the other end of the humidifier water line to the water valve.

STEP THREE: Connect to the Water Drain



- Consult and follow local plumbing codes for drain pipe size and flow requirement.
- The ideal installation is directly to the main floor drain using the rubber hose provided.
- If direct floor drain access is not available, see “Appendix C: Advanced Draining.”

Connect the 1/2-in. drain hose provided to the drain fitting on the bottom of the humidifier.

Use the hose clamp provided to secure the drain hose to the fitting.

Route the drain hose to the floor drain. The hose must have a continuous downward slope.

Direct the hose outlet into the floor drain. Secure the hose to reduce the risk of water pooling or splashing as it drains from the humidifier.

MCR29881

Before proceeding to Wiring:

- I have connected the water supply line to the humidifier and the main water tap.
- I have installed the drain connection.
- I have checked all plumbing connections for leaks.

Before Wiring the Humidifier



CAUTION: Voltage Hazard.

Be sure the humidifier is not plugged in before beginning wiring.

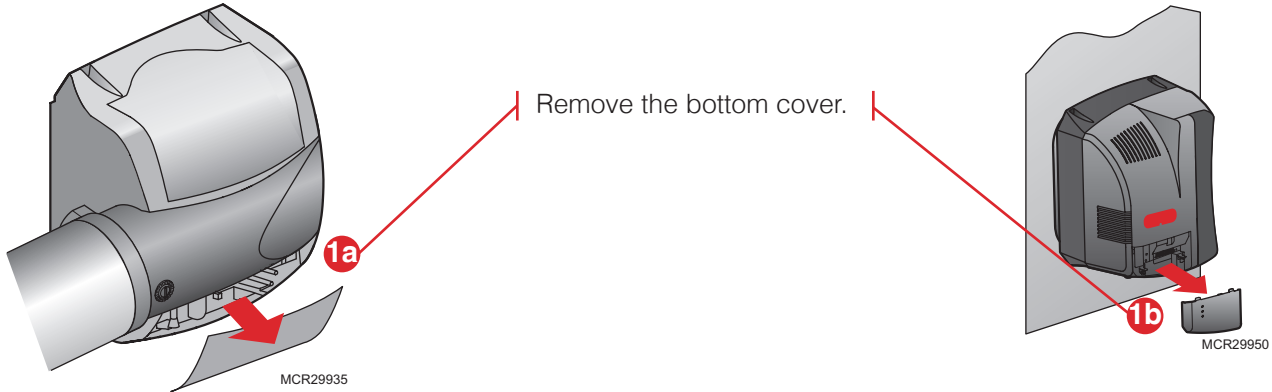
Before wiring the humidifier:

- I understand and will comply with applicable local wiring codes and regulations.
- I will read the section “Using the DIP Switches” beginning on the next page.

What humidifier model do I have?

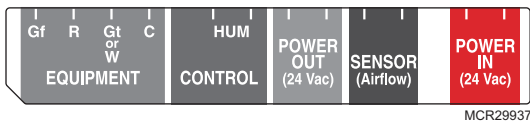
The model number can be found on the bottom of the humidifier.

STEP ONE: Remove the Humidifier Cover

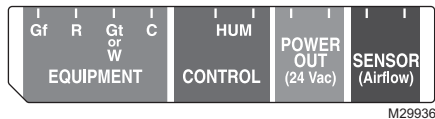


STEP TWO: Understand the Wiring Terminals (HE150/HE250/HE300 only)

HE150/HE250 Bypass Terminal



HE300 Fan Terminal



Gf: Used to force system fan on when humidity is needed.

R: Input from system R. Needed to power Gf when forcing fan on.

Gt or W: Input from system G or W. Needed to humidify only during fan or heat calls by system.

HUM: Powered contacts for humidity control.

C: Common. Needed for Gt or W input. Connect to system C.

Power Out: 24V power for electric controls.

Power In: Power from 15VA transformer on HE150/HE250 only.

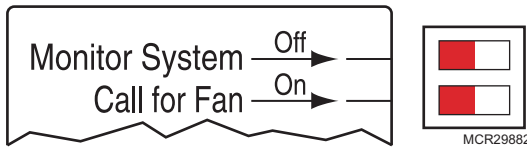
SENSOR: Powered contacts for an air proving device when utilized.

WIRING

Using the DIP Switches (HE150/HE250/HE300 only)

Two features are configured by DIP settings, which are described inside the humidifier cover.

STEP THREE: Understand the DIP Switches



DIP 1 (Top): This switch looks for inputs from the HVAC system before allowing humidity. Set to the left, the humidifier will look for input(s). Set to the right, it will not.

DIP 2 (Bottom): This switch controls the fan. Set to the left, the HVAC system controls the fan. Set to the right, the humidifier will force the fan on when there is a call for humidity.

STEP FOUR: Install the Transformer (Bypass Models Only)

Install transformer on the outside of a grounded metal junction box using only a 7/8 in. (22 mm) knockout hole. Place mounting tabs into the knockout hole and firmly tighten the locking screw. Field wiring connections and grounding means for the transformer and enclosure shall be in accordance with the National Electrical Code (NEC) and the Canadian Electrical Code (CEC). Connect wires to the 120V side of the transformer.

For HE150 and HE250, the 15V transformer must provide constant power to the 24V IN terminals.

STEP FIVE: Wiring the Humidifier

Use a wiring diagram from the following pages that matches your equipment.

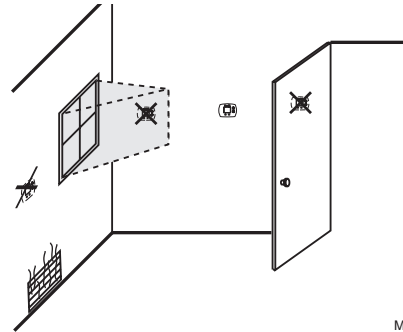
When wiring is complete, run the wires coming out of the humidifier into the wiring clip on the bottom of the humidifier.

Installing the Humidistat

Remote Mount Installation

Choose a location in the living area.

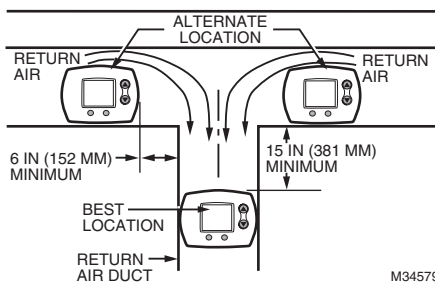
NOTE: Select a location clear of drafts or excessive humidity. Avoid mounting near doors or windows, or in bathrooms or kitchens.



OR

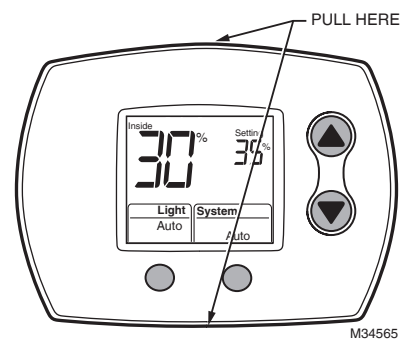
Duct-Mount Installation (recommended)

1. Choose a location on the **RETURN** duct.



Warning: Product must be mounted on the RETURN side of the duct for proper RH% sensing.

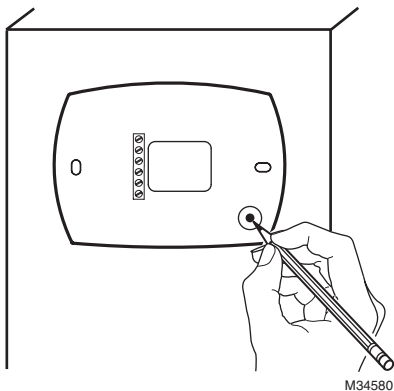
2. Separate wallplate from humidistat.



Caution: Electrical Hazard

Can cause electrical shock or equipment damage. Disconnect power before beginning installation.

3. Mark the duct-tube hole.



Hold the wallplate up to the desired location on the duct and make a mark inside the duct tube hole.

4. Drill the duct-tube hole.



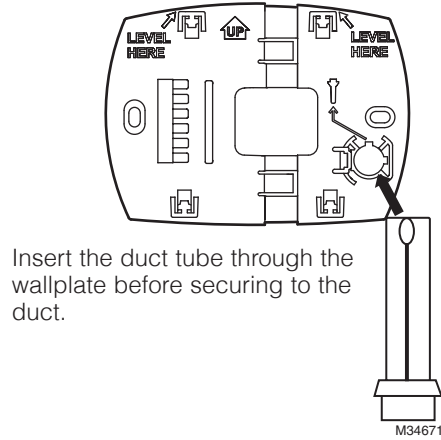
Find your mark and drill a 1/2 in. hole in the duct. This is where the duct tube will be inserted to capture air.

WIRING

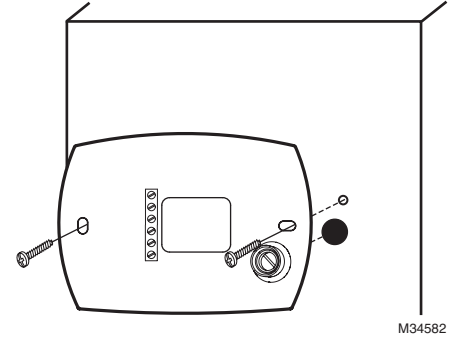
Installing the Humidistat

Duct-Mount Installation (continued)

5. Insert the duct tube.

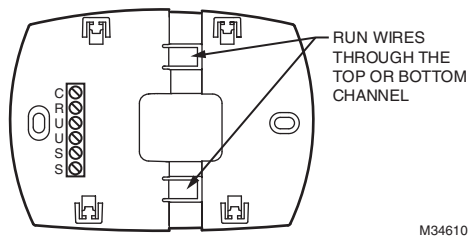


6. Secure the wallplate.



Secure the wallplate to the duct with sheet metal screws (provided).

7. Run wires through the back plate.



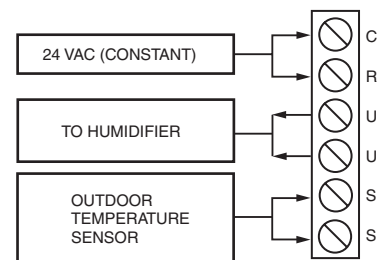
Run wires through the top or bottom channel on the back plate when duct-mounted. If installing like a thermostat on a wall, run the wires through the back.

Wiring the Humidistat

This humidity control is wired the same way a manual humidistat (H8908) is wired. The only difference is that you also wire in power (24 VAC) and an outdoor sensor.

TERMINAL DESIGNATION

- C 24 VAC POWER FROM EQUIPMENT
- R 24 VAC POWER FROM EQUIPMENT
- U HUMIDIFIER
- U HUMIDIFIER
- S OUTDOOR SENSOR
- S OUTDOOR SENSOR



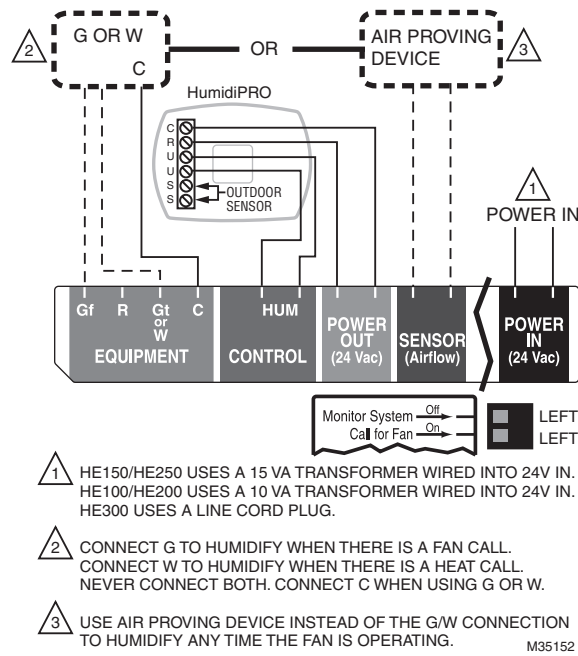
NOTES: C AND R MUST BE CONSTANT 24VAC! RECOMMENDED TO WIRE TO FURNACE/AIR HANDLER CONTROL BOARD.

DO NOT WIRE C AND R TO HUMIDIFIER TRANSFORMER!

M34865

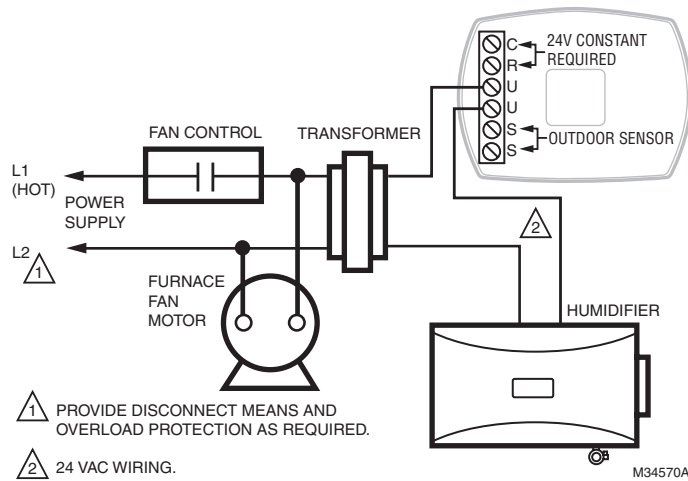
Wiring Configuration: Advanced Models (HE150/HE250/HE300)

Wiring HumidiPRO to TrueEASE Advanced Humidifier with Fan Interlock (HE150/HE250/HE300).



Wiring Configuration: Basic Models (HE100/HE200)

Wiring HumidiPRO to TrueEASE Basic Humidifier with Fan Interlock (HE100/HE200).



WIRING

Advanced Wiring Diagrams are shown in Appendix B beginning on page 27.

Mounting the Outdoor Sensor

(Not required if window protection isn't needed)

Location

Mount the sensor where:

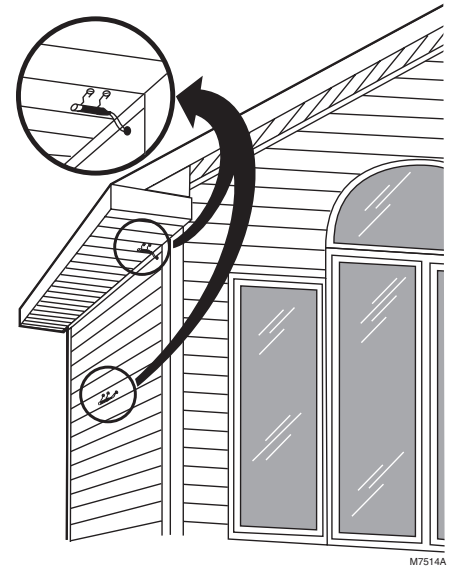
- it cannot be tampered with.
- there is good air circulation.
- surface is flat.
- wire distance between sensor and humidistat is less than 200 feet.
- it can measure true outdoor ambient temperature.

Do NOT mount the sensor:

- in direct sunlight.
- where snow, ice or debris can cover it.
- where hot or cold air blows on the sensor. (For example, a discharge line from an outdoor compressor unit, vent or fan can cause inaccurate temperature readings.)

Steps to mount the sensor

1. Remove the sensor from the mounting clip.
2. Mark the area on the location selected for mounting the sensor mounting clip.
3. Mount the clip. Image on right shows typical locations for outdoor sensor.



Wiring the Outdoor Sensor

CAUTION: Electrical Interference (Noise) Hazard. Can cause erratic system operation.

Keep wiring at least one foot away from large inductive loads such as motors, line starters, lighting ballasts and large power distribution panels.

Use shielded cable to reduce interference when rerouting is not possible.

Be sure wires have a cable separate from the thermostat cable.

Do not route temperature sensor wiring with building power wiring, next to control contactors or near light dimming circuits, electric motors or welding equipment.

Avoid poor wiring connections.

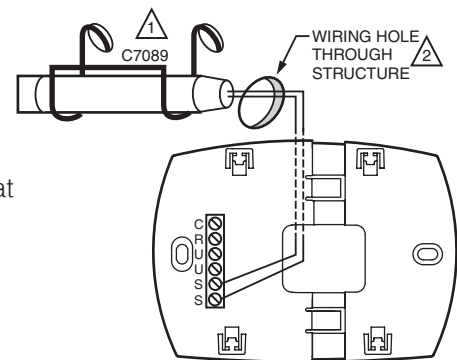
Avoid intermittent or missing building earth ground.

CAUTION: Electrical Shock Hazard. Can cause electrical shock or equipment damage.

Disconnect power supply before connecting wiring.

Wiring must comply with applicable codes, ordinances and regulations:

1. Wire the C7089 Outdoor Sensor to the S terminals on the humidity control. If leadwire provided with C7089 is not long enough (60 in.), run a cable to a hole at C7089 location.
 - Using color-coded, 18-gauge, shielded thermostat wire is recommended. For example of general wiring of C7089, see image at right.
 - Pigtail wiring can be used.
2. Mount C7089 in its mounting clip.
3. Plug wiring hole using nonhardening caulk or putty.



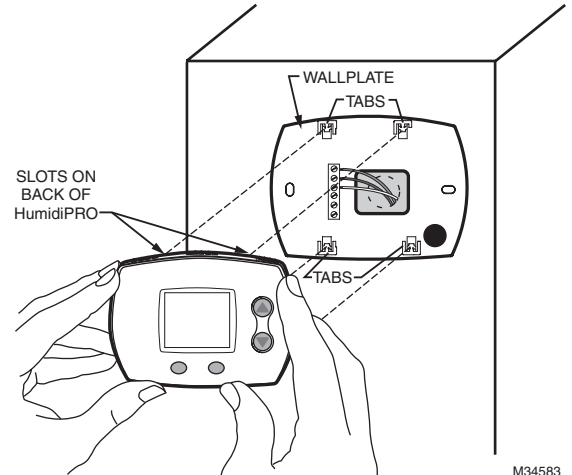
1 USE APPROPRIATE MOUNTING MEANS FOR THE TYPE OF STRUCTURE.

2 PLUG WIRING HOLE WITH NON-HARDENING CAULK OR PUTTY.

M34611

Mount Humidity Control

Align the 4 tabs on the wallplate with the slots on the back of the control, then push gently until the control snaps in place.



Checkout

Allow C7089B Outdoor Sensor to absorb outdoor air for a minimum of twenty minutes before taking a reading. With an accurate thermometer ($\pm 1^{\circ}\text{F}$ [0.5°C]), measure the temperature at the sensor location, allowing time for the thermometer to stabilize before reading. Then verify the sensor accuracy by going into installer Test #20. This will show you the outdoor temperature.

Calibration

The C7089 Outdoor Sensor is calibrated at the factory. However, you can offset the outdoor sensor reading using Function 35 in Installer Setup.

You've just installed your Humidity Controller!

This Humidity Control has been preprogrammed to the ideal settings for most homes.

If you installed this control with an outdoor sensor, the control will operate in **AUTOMATIC MODE**, which automatically adjusts humidity to help prevent window condensation.

If you installed this control without an outdoor sensor, the control will operate in **MANUAL MODE**, giving the homeowner simple, direct control of their humidifier (RH% Setting Only).

Advanced Installer Setup

See next page to customize feature operation.

Installer System Test

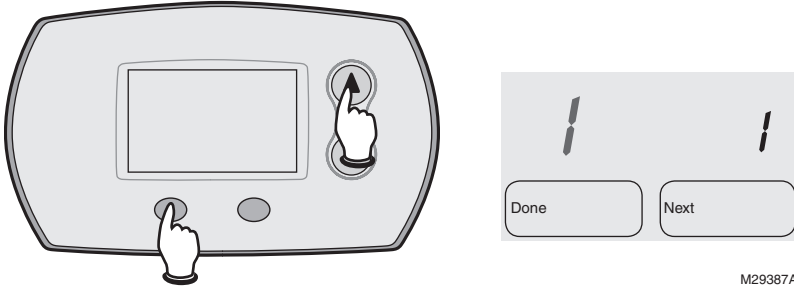
If Advanced Installer Setup is not required, skip to "Installer System Test/Checkout" on page 22.

Advanced Installer Setup

Resideo has already programmed this control to work properly in most applications. However, you can adjust the advanced settings by following the steps below.

To begin, **press and hold** the ▲ and **LIGHT** buttons until the display changes.

Press ▲ or ▼ to change settings.
Press **NEXT** to advance to the next function.
Press **DONE** to exit and save settings.



Function Number	Setting	
	Displayed	Description
1 System Type	1	Humidifier
	2	Dehumidifier
4 Control Mode Automatic Mode is Default when Outdoor Sensor Detected Manual Mode is Default when NO Outdoor Sensor Detected	1	Automatic
	2	Manual
5 Automatic Mode RH% (Hum) This is the humidity setpoint (RH%) the control will operate to. The homeowner does not change this and will only need to set the appropriate window protection setting.	Range: 20%-60% Default = 35%	
11 Automatic Mode Humidity Boost Increases Preset RH% (#5) when user sets window protection to 11.	0	Off
	5%	5%
	10%	10%
17 Automatic Mode High Temp Shut-Off Turns humidifier OFF when Outdoor Temperature is greater than selected setting.	Range: 40°-90° 0 = OFF Default = 65 °	
19 High Hum Limit	Range: 10%-90% Default = 60%	
20 Low Hum Limit	Range: 10%-90% Default = 10%	
21 High Dehum Limit	Range: 10%-90% Default = 80%	
23 Low Dehum Limit	Range: 10%-90% Default = 40%	
25 Dehumidifier Compressor Lockout	0-5 Minutes Default = 0 Minutes (OFF)	
30 Humidity Sensing Calibration Increases Preset RH% (#5) when user sets window protection to 11.	Range: -9% to +9% Default = 0 (Displays Actual RH%)	
35 Outdoor Temperature Sensor Calibration This feature will offset the sensed outdoor temperature if needed.	Range: -9° to +9° Default = 0 (Displays Actual Outdoor Temp)	

WIRING

HumidPRO™ Frost Index

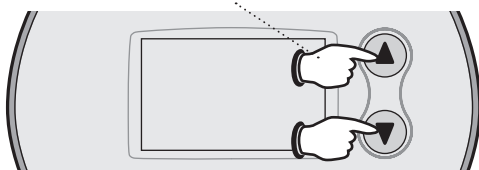
		Outdoor Temp					
		-10°F	0°F	10°F	20°F	30°F	40°F
Frost Index	1	10 10	10 10	11 11	17 17	25 25	35 36
	2	10 10	10 10	15 15	21 21	29 29	35 39
	3	10 10	14 14	19 19	26 26	34 34	35 46
	4	15 15	19 19	25 25	32 32	35 39	35 52
	5	21 21	26 26	32 32	35 38	35 48	35 58
	6	29 29	34 34	35 39	35 48	35 56	35 60
	7	35 39	35 46	35 52	35 58	35 60	35 60
	8*	35 56	35 60	35 60	35 60	35 60	35 60
	9	35 60	35 60	35 60	35 60	35 60	35 60
	10	35 60	35 60	35 60	35 60	35 60	35 60

*Black Numbers show highest humidity allowed when Default RH% (35%) is Selected.

Note: Smaller grey numbers show highest humidity allowed when Maximum RH% (60%) is selected.

Installer System Test/Checkout

To begin, **press and hold** the ▲ and ▼ buttons until the display changes.



Press ▲ / ▼ to turn system on/off.
 Press **NEXT** to advance to next test.
 Press **DONE** to terminate system test.

Test number System status

Function Number	Setting	
	Number	Description
10 System Test	0	OFF
	1	ON
20 View Outdoor Temperature	Shows Outdoor Temperature	

NOTE: Most humidifiers require airflow in the system to operate. Make sure to turn on the system fan when testing humidifier operation.

H6062 Specifications

Humidity Ranges:

Humidity:

- Default: 10% to 60%
- Total Range Available: 10% to 90%

Operating Ambient Temperature

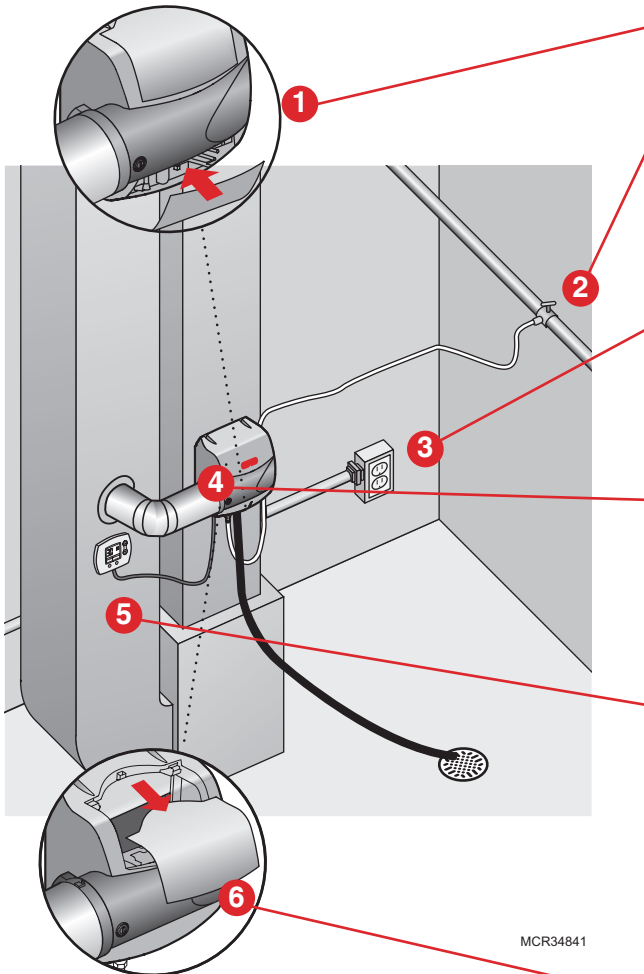
- 32° to 120°F (0° to 48.9°C)

Operating Relative Humidity

- 5% to 90% (non-condensing)

Startup and Checkout

When installation is complete, follow the steps below. Make sure the humidifier is running properly before turning the system over to the homeowner. Once the humidifier is running, day-to-day operation is automatic. The homeowner can use the control to adjust the humidity levels and turn the humidifier on or off.



MCR34841

1 Snap the bottom cover into place.

2 Turn on the water supply at the saddle valve or T-fitting and manual shutoff valve. Water will flow to the humidifier but will not pass through the pad until the humidity control is turned on.

3 Plug in the humidifier (HE300) or apply HVAC system power (HE100/HE150/HE200/HE250)

- On advanced models, the LED lights will blink for 3-5 seconds to verify that there is system power.

4 On HE100/HE200, turn the Damper Position knob on the bypass outlet so that it is parallel to the bypass outlet. On HE150/HE250, the humidifier does this automatically. Not applicable for HE300.

5 Turn the humidity control to On.

- If your wiring is configured for operation only with heat or fan, make the appropriate system demands to allow humidification.
- Make sure air is blowing through the ductwork with the humidifier call.

6 The Humidifying light will be solidly on when water is flowing through the humidifier pad

- On HE150/HE250 models, remove the humidifier's top cover to verify water flow through the top tray and into the pad. Make sure that the damper rotates open when humidity is on, and rotates closed when humidity is off.
- On HE300 models, verify water is exiting the drain hose.

Check all water line and drain connections to ensure there are no leaks before leaving the job site.

- Check for leaks immediately after turning the main water supply on, and again after 15 minutes of humidifier operation.

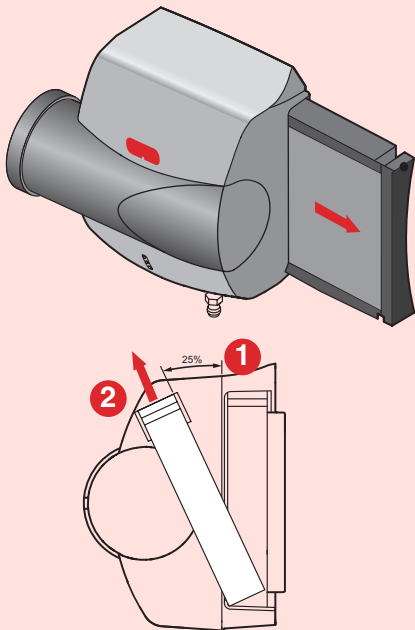
Turn the setpoint to the homeowner's desired level when testing is complete. If humidity is not needed, set the control to Off, and turn the Damper Position knob on the bypass outlet so that it is perpendicular to the bypass outlet (HE100/HE200 only).

Routine Maintenance

The humidifier pad should be replaced at least once per year or whenever the Replace Pad light comes on. This is critical for optimal performance of the unit. This can be done at the beginning or the end of the dry season. The humidifier design makes this annual replacement quick and easy, providing one-step access to the pad.

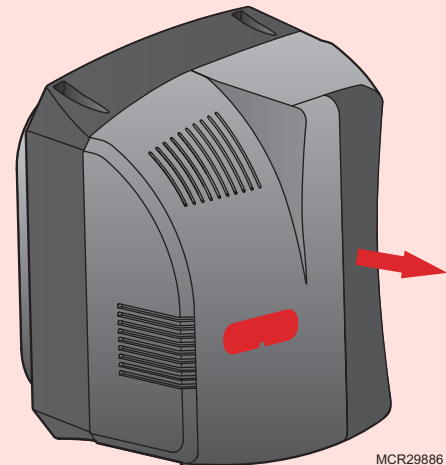
Bypass:

- 1a.** Pad can be replaced from the side by gripping the black handle and pulling out, or from the front by removing the humidifier's top cover and rocking the pad forward and out. Humidifier pad might remove from other side of humidifier, depending on installation.





Fan:

- 1b.** Pad can be replaced from the front by gripping the black handle and pulling out.



2. Remove tray on top of the pad, and wipe free any sediment present within the tray.
3. Replace the old pad with the new, making sure pad is oriented correctly (see pad box). Wipe free any sediment present inside the pad frame.
4. Reseat the tray on top of the pad with the arrows inside the tray pointing into the duct. Then reinsert the frame into the humidifier.
5. After pad replacement is complete, remove the bottom cover and press the RESET button to reset the maintenance timer.

Troubleshooting

Problem	What To Look For	What To Do
Low humidity	Furnace blower not operating	<ol style="list-style-type: none"> 1. Reset circuit breaker or check for blown fuse. 2. Check that the furnace power is on. 3. Check all external wiring connections. 4. Check the humidity control setting.
	Rapid air changes or drafts	<ol style="list-style-type: none"> 1. Keep doors and windows closed. 2. Close fireplace damper when not in use. 3. Keep exhaust fan running time to a minimum. 4. Seal around doors and windows.
High humidity	Condensation on walls	<ol style="list-style-type: none"> 1. Turn off humidity control and water until condensation is completely evaporated.
	Heavy condensation on windows	<ol style="list-style-type: none"> 1. Turn humidity control down low enough to eliminate condensation caused by moisture. If moisture persists, more ventilation is needed.
Replace Pad light is on (HE150/HE250/HE300)	This is the yearly maintenance reminder to replace the pad inside the humidifier	<ol style="list-style-type: none"> 1. Refer to the parts list and replace the pad for your humidifier model. 2. Once pad is replaced, press the RESET button under the wire cover.
Service light is on (HE150/HE250)	The damper inside the bypass has failed to open completely	<ol style="list-style-type: none"> 1. Press RESET button under the wire cover. 2. Verify the damper plug is connected on the side of the humidifier the bypass outlet is on. 3. Ensure there is no interference from sheet metal screws that connect the bypass to ducting. 4. If fault persists, replace bypass damper motor.
	Air proving device has detected a lack of air movement Only possible with DIPs configured as: 	<ol style="list-style-type: none"> 1. Check wiring to Air Flow Switch. 2. Confirm DIP switch configuration and wiring on the humidifier is correct. 3. Check location of Air Flow Switch to ensure it is properly placed in duct to detect air. 4. Check switch relays. 5. If fault persists, replace Air Flow Switch.
Service light is on (HE300)	The fan motor has failed	<ol style="list-style-type: none"> 1. Press RESET button under the wire cover. 2. Unplug the humidifier and plug it back in. 3. If fault persists, replace motor assembly.
	Air proving device has detected a lack of air movement Only possible with DIPs configured as: 	<ol style="list-style-type: none"> 1. Check wiring to Air Flow Switch. 2. Confirm DIP switch configuration and wiring on the humidifier is correct. 3. Check location of Air Flow Switch to ensure it is properly placed in duct to detect air. 4. Check switch relays. 5. If fault persists, replace Air Flow Switch.

A: Specifications

Humidifying Capacity

At 120°F (49°C) plenum temperature and 0.20 static pressure drop across supply and return:

HE100/150: up to 12 gallons per day (gpd)

(46 liters per day [lpd])

HE200/250: up to 17 gpd (65 lpd)

HE300: up to 18 gpd (68 lpd)

Humidified Area

HE100/150: Up to 16,000 cubic feet

HE200/250: Up to 20,000 cubic feet

HE300: Up to 24,000 cubic feet

Dimensions

HE100/150: 14.5 in. W x 14 in. H x 10.1 in. D
(368 mm W x 356 mm H x 257 mm D)

HE200/250: 15 in. W x 17.15 in. H x 10.1 in. D
(381 mm W x 436 mm H x 257 mm D)

HE300: 15.5 in. W x 16.8 in. H x 10.3 in. D
(394 mm W x 427 mm H x 262 mm D)

Humidifier Pad Dimensions

HE100/150: 9-1/2 in. W x 9-13/16 in. H x 1-1/2 in. D
(241 mm W x 249 mm H x 38 mm D)

HE200/250: 10 in. W x 13 in. H x 1-1/2 in. D
(254 mm W x 330 mm H x 38 mm D)

HE300: 10 in. W x 13 in. H x 1-1/2 in. D
(254 mm W x 330 mm H x 38 mm D)

Static Pressure

HE100/150/200/250: Supply plenum static pressure no greater than .3 in. w.c.

HE300: Supply plenum static pressure no greater than .4 in. w.c.

Plenum Opening Dimensions

HE100/150: 9-5/16 in. W x 9-7/16 in. H (238 mm W x 241 mm H)

HE200/250: 9-3/4 in. W x 12-5/8 in. H (248 mm W x 321 mm H)

HE300: 13-1/2 in. W x 14-1/16 in. H (343 mm W x 357 mm D)

Bypass Duct Opening Dimensions (HE100/150/200/250)

6 in. (152 mm)

Operating Ranges

34°F–90°F (1.1°C–32°C)

Humidity: 0–95% RH, non-condensing

Drain Fitting

1/2 in. (13 mm) I.D. plastic hose connected directly to drain fitting on unit.

Electrical Ratings and Tolerances

HE100/200: 24VAC, 60 Hz, 0.5 A maximum

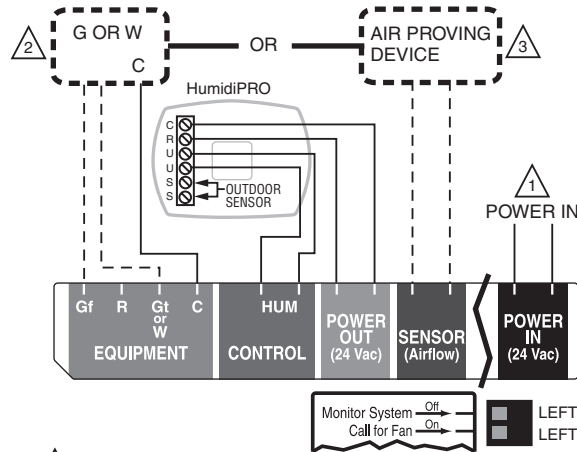
HE150/250: 24VAC, 60 Hz, 0.75 A maximum

HE300: 120VAC, 60 Hz, 1 A maximum

B: Advanced Wiring

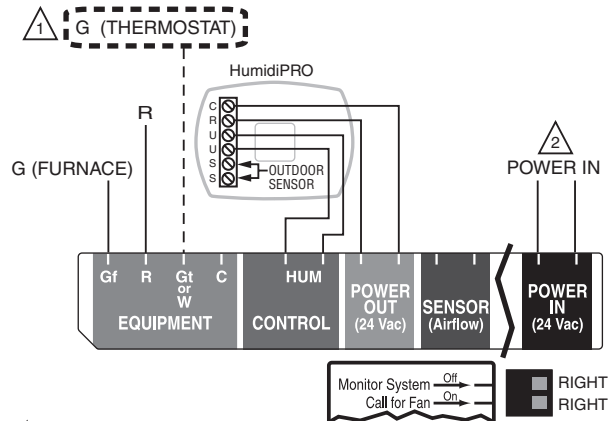
Wiring Configuration: Advanced Models (HE150/HE250/HE300)

Wiring HumidiPRO to TrueEASE Advanced Humidifier with Fan Interlock.



- 1 HE150/HE250 USES A 15 VA TRANSFORMER WIRED INTO 24V IN. HE100/HE200 USES A 10 VA TRANSFORMER WIRED INTO 24V IN. HE300 USES A LINE CORD PLUG.
- 2 CONNECT G TO HUMIDIFY WHEN THERE IS A FAN CALL. CONNECT W TO HUMIDIFY WHEN THERE IS A HEAT CALL. NEVER CONNECT BOTH. CONNECT C WHEN USING G OR W.
- 3 USE AIR PROVING DEVICE INSTEAD OF THE G/W CONNECTION TO HUMIDIFY ANY TIME THE FAN IS OPERATING.
- M35152

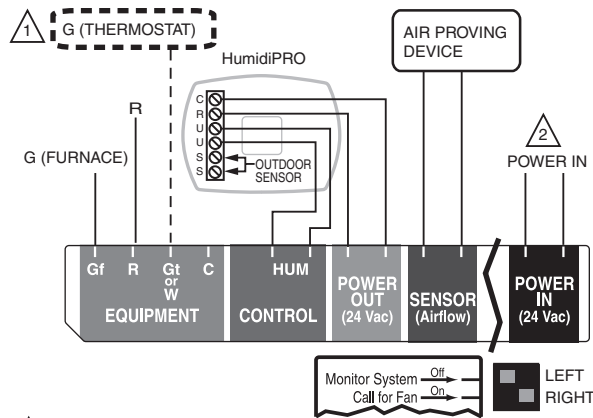
Wiring to force the HVAC system fan on whenever humidity is needed (on demand).



- 1 ONLY NEEDED IF SYSTEM'S THERMOSTAT DOES NOT ISOLATE Y FROM G. IF NEEDED, BREAK THE THERMOSTAT G TO SYSTEM G CONNECTION AND ROUTE THROUGH HUMIDIFIER AS SHOWN.
- 2 HE150/HE250 USES A 15 VA TRANSFORMER WIRED INTO 24V IN. HE100/HE200 USES A 10 VA TRANSFORMER WIRED INTO 24V IN. HE300 USES A LINE CORD PLUG.
- M35154

Wiring Configuration: Advanced Models (HE150/HE250/HE300)

Wiring to force fan on and prove airflow in the duct.

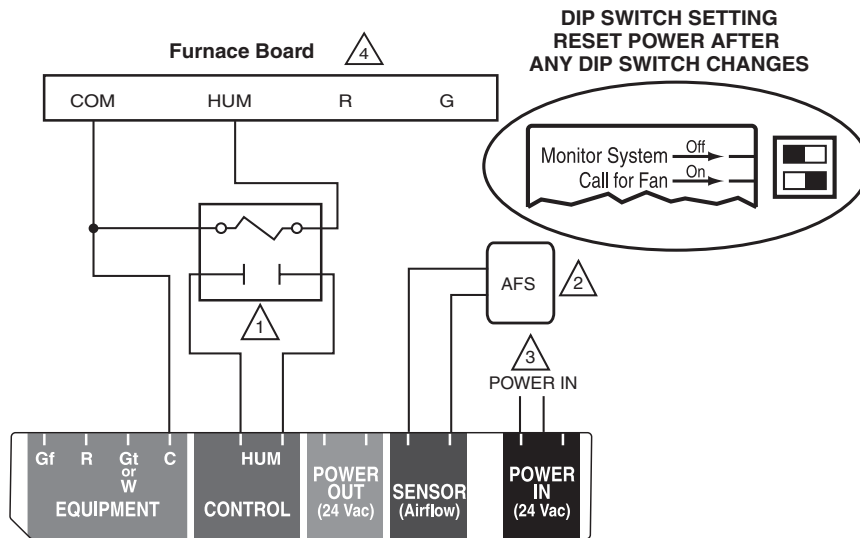


△1 ONLY NEEDED IF SYSTEM'S THERMOSTAT DOES NOT ISOLATE Y FROM G. IF NEEDED, BREAK THE THERMOSTAT G TO SYSTEM G CONNECTION AND ROUTE THROUGH HUMIDIFIER AS SHOWN.

△2 HE150/HE250 USES A 15 VA TRANSFORMER WIRED INTO 24V IN. HE100/HE200 USES A 10 VA TRANSFORMER WIRED INTO 24V IN. HE300 USES A LINE CORD PLUG.

M35155

Wiring TrueEASE to equipment with powered terminals.



△1 ADD 24VAC ISOLATION RELAY (SUCH AS R8222B1067) BETWEEN THE HUMIDIFIER AND THE AIR HANDLER.

△2 THE 50027910-001 AIR-FLOW SWITCH (AFS) IS RECOMMENDED TO ENSURE AIR FLOW WHEN THE HUMIDIFIER IS RUNNING. IF THE AFS IS USED, SET DIP SWITCH 1 TO OFF (LEFT).

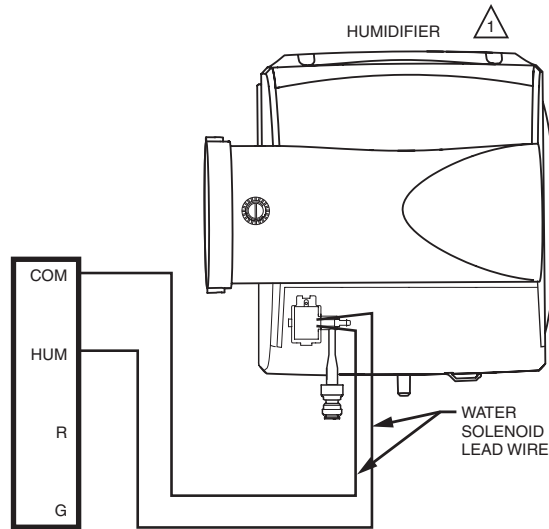
△3 HE150/HE250 USES A 15 VA TRANSFORMER WIRED INTO 24V IN. HE100/HE200 USES A 10 VA TRANSFORMER WIRED INTO 24V IN. HE300 USES A LINE CORD PLUG.

△4 WIRING DIAGRAM ASSUMES THE USE OF EQUIPMENT-SPECIFIC COMMUNICATING THERMOSTAT CONTROLLING THE HUMIDIFIER.

M34836

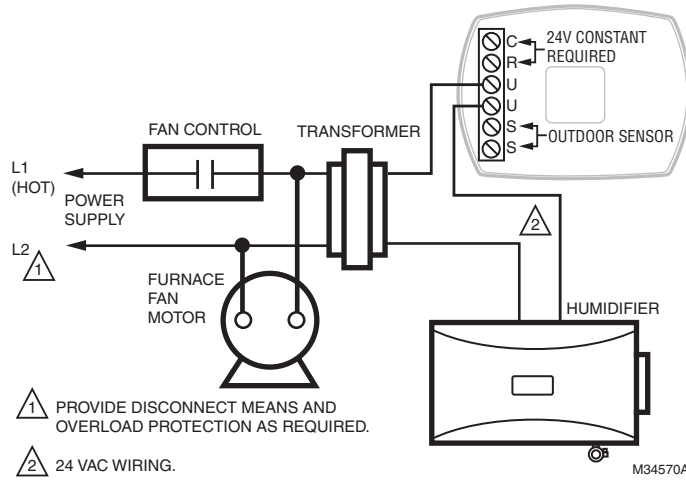
Wiring Configuration: Basic Models (HE100/HE200)

Wiring TrueEASE to equipment with powered terminals.



1 WIRING DIAGRAM ASSUMES THE USE OF EQUIPMENT-SPECIFIC COMMUNICATING THERMOSTAT CONTROLLING THE HUMIDIFIER.
M33039

Wiring HumidiPRO with fan interlock.



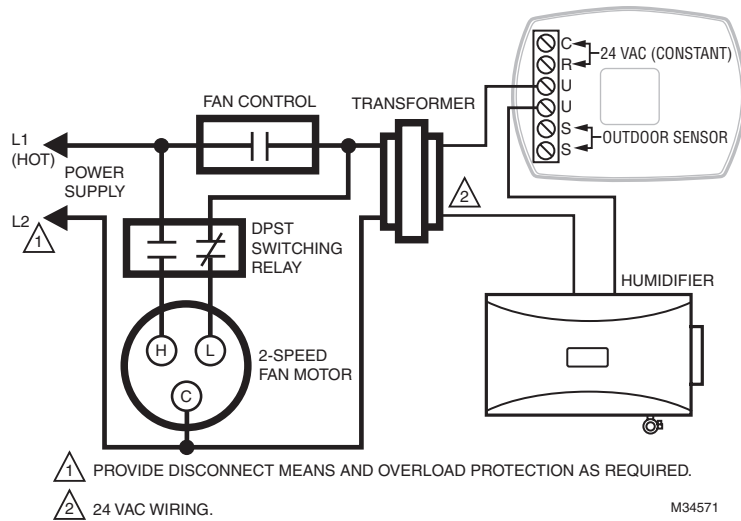
1 PROVIDE DISCONNECT MEANS AND OVERLOAD PROTECTION AS REQUIRED.

2 24 VAC WIRING.

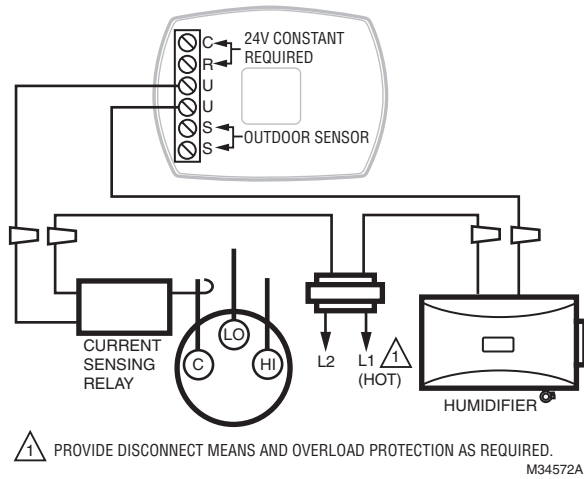
M34570A

Wiring Configuration: Basic Models (HE100/HE200)

Wiring HumidiPRO with 2-speed fan motor.

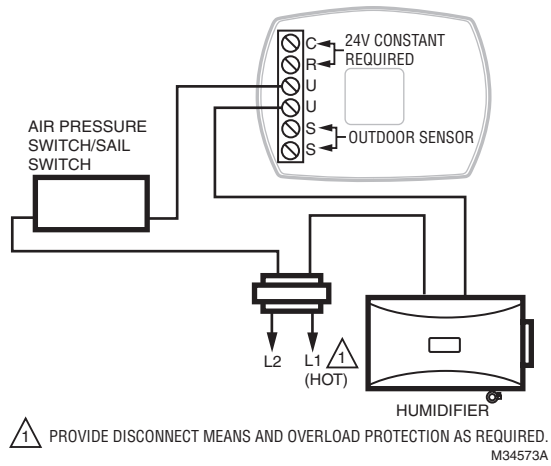


Wiring HumidiPRO with current-sensing relay.



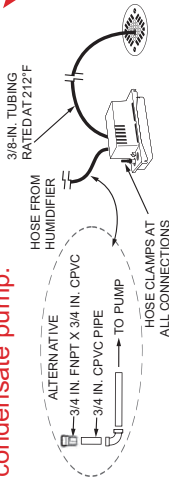
Wiring Configuration: Basic Models (HE100/HE200)

Wiring HumidiPRO in line with air proving device.



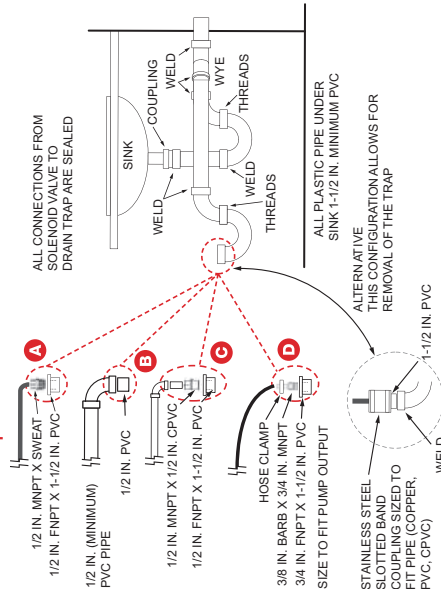
C: Advanced Draining

Option 1: Plumbing to drain with condensate pump.



- Pump with (140°F temperature rating, > 5 GPH pump flow rate, with 9-foot rise).
- Pump must be powered when humidifier is operating.
- Use a pump with a built-in overflow sensor or install the pump in a drip pan with wet switch wired to turn off humidifier.

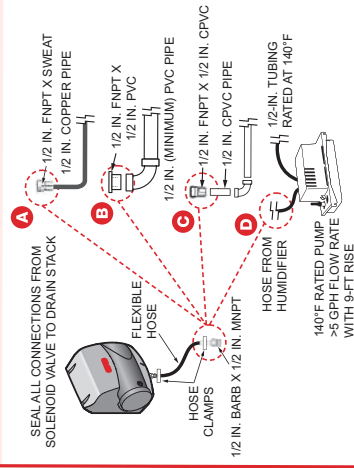
Option 3: Plumbing to sink with a dedicated trap.



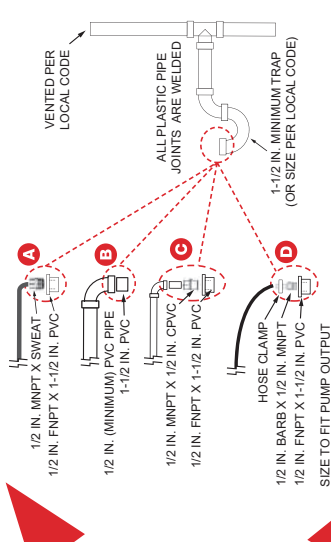
FOR ALL OPTIONS SHOWN:

- Support rubber hose every 6 in.
- PVC must be schedule 40 or higher rating.
- All plastic pipe joints are welded.
- Drain into a P-trap that will remain wetted at all times.

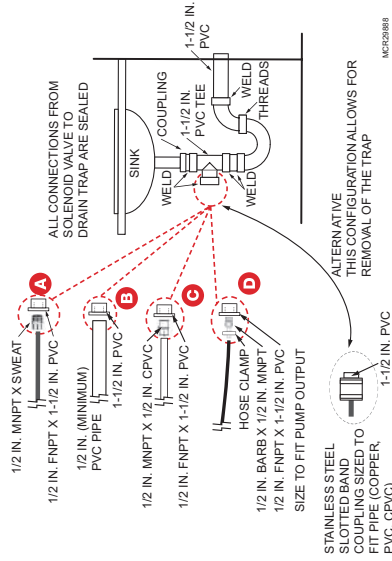
Connect to humidifier. Common to all plumbing options.



Option 2: Plumbing to a dedicated trap.



Option 4: Plumbing to sink trap.



D: Parts List

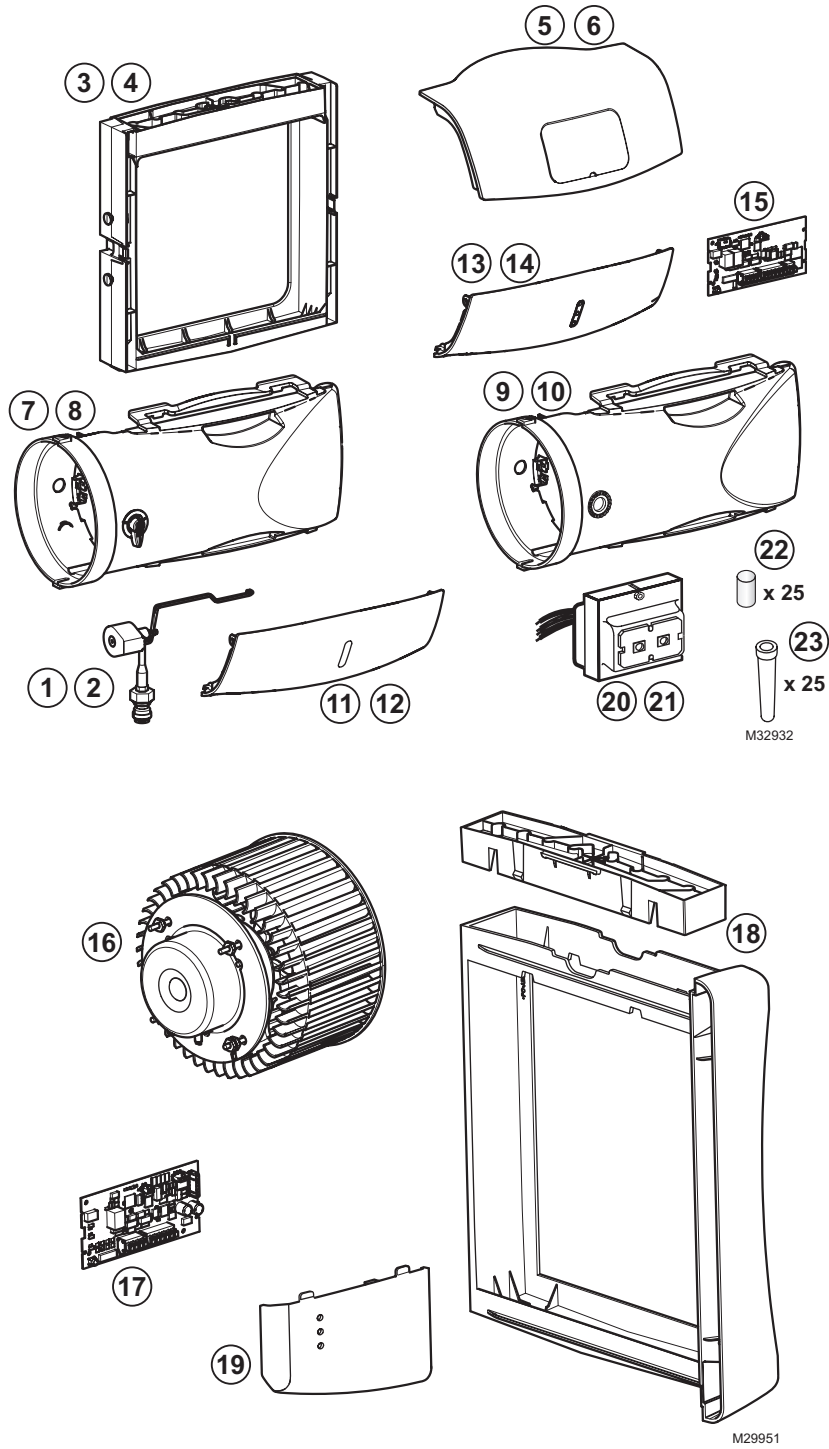


Figure Reference	Part Number	Part Description	Use With Model
N/A	HC26E1004	Large AgION coated replacement pad	HE200, HE250, HE300
N/A	HC26A1008	Large standard replacement pad	HE200, HE250, HE300
N/A	HC22E1003	Small AgION coated replacement pad	HE100, HE150
N/A	HC22A1007	Small standard replacement pad	HE100, HE150
N/A	32001616-001	Saddle valve	HE100, HE150, HE200, HE250, HE300
1	50041883-002	AC Solenoid valve	HE100, HE200
2	50041883-001	DC Solenoid valve	HE150, HE250, HE300
3	50041861-001	Frame and tray assembly for small bypass model	HE100, HE150
4	50041861-002	Frame and tray assembly for large bypass model	HE200, HE250
9	50041890-001	Small bypass duct with automatic damper	HE150
10	50041890-002	Large bypass duct with automatic damper	HE250
13	50052642-001	Bottom cover for small advanced bypass model	HE150
15	50057547-002	HE150 circuit board	HE150
	50057547-003	HE250 circuit board	HE250
16	50045729-001	Blower and motor assembly with isolator	HE300
17	50057547-001	HE300 circuit board	HE300
18	50041919-001	Frame and tray assembly for fan model	HE300
20	32001652-001	10V transformer	HE100, HE200
21	50050349-001	15V transformer	HE150, HE250
22	32318545-001	Qty 25 Residential humidifier quick connect adapter	HE100, HE150, HE200, HE250, HE300
23	32001647-001	Qty 25 Residential humidifier cone screen filter	HE100, HE150, HE200, HE250, HE300



resideo

Resideo Inc., 1985 Douglas Drive North,
Golden Valley, MN 55422

www.resideo.com 69-2413EF—19 M.S. Rev. 10-19 | Printed in United States

This product is manufactured by Resideo Technologies, Inc., Golden Valley, MN, 1-800-468-1502
© 2019 Resideo Technologies, Inc. The Honeywell Home trademark is used under license from Honeywell International Inc.
All rights reserved.

Honeywell Home



Système d'humidification TrueEASE™

GUIDE D'INSTALLATION PROFESSIONNEL

POUR
COMMENCER

MONTAGE

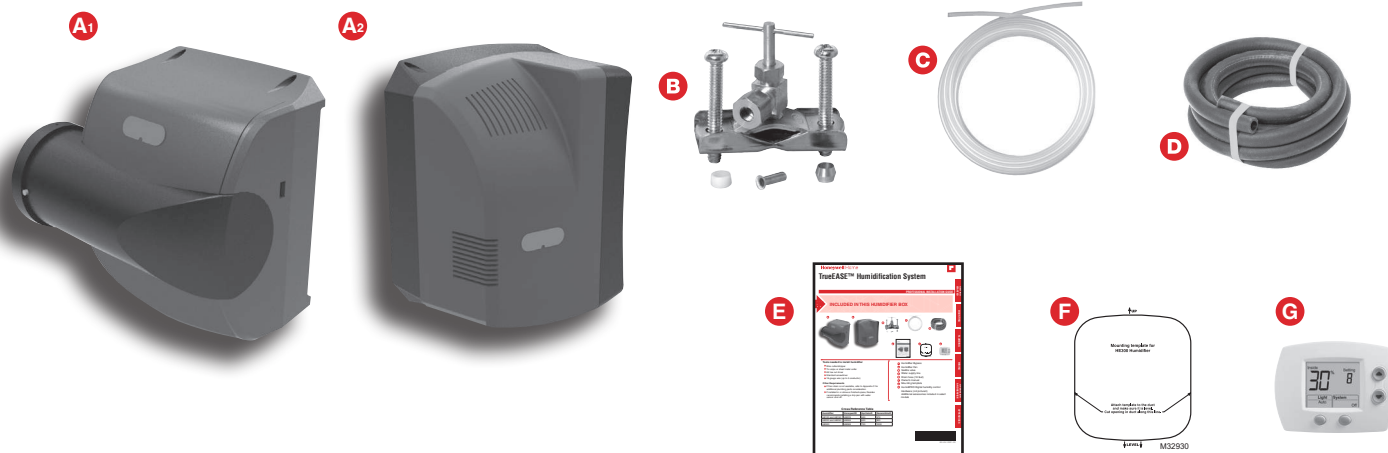
PLOMBERIE

CÂBLAGE

FONCTIONNEMENT
ET RÉPARATION

ANNEXES

INCLUS DANS LA BOÎTE DE CET HUMIDIFICATEUR



Outils requis pour installer l'humidificateur

- ▶ Coupe-fil/outil à dénuder
- ▶ Cisailles à tôles
- ▶ Tournevis à douille hexagonale n° 8
- ▶ Tournevis normal
- ▶ Fil de calibre 18 (jusqu'à 5 conducteurs)

Autres exigences

- ▶ Si un drain de plancher n'est pas disponible, consultez l'annexe A pour les pièces de plomberie supplémentaires.
- ▶ Si l'installation a lieu dans un espace fini ou au-dessus, Honeywell recommande d'installer un plateau d'écoulement avec un système de détection de fuite d'eau avec dispositif de coupure.

- A₁** Dérivation de l'humidificateur
 - A₂** Ventilateur de l'humidificateur
 - B** Vanne à étrier
 - C** Canalisation d'arrivée d'eau
 - D** Conduite de vidange (10 pieds)
 - E** Manuel du propriétaire
 - F** Gabarit de montage
 - G** Régulateur d'humidité numérique HumidiPRO
- Quincaillerie (non illustrée)
Accessoires supplémentaires inclus avec certains modèles

Tableau des correspondances

Humidificateur	Honeywell Home	Aprilair®	GeneralAire®
HE100 et HE150	HE225	500	570
HE200 et HE250	HE265	600	900
HE300	HE365	700	1000



Humidificateur

POUR COMMENCER

Définitions et précautions relatives à la sécurité	2
Qu'attendre de votre humidificateur?	3
Exigences d'installation importantes	4

MONTAGE

Choix d'une méthode de montage	5
ÉTAPE 1 : Choix d'un emplacement de montage	6
ÉTAPE 2 : Installation du gabarit de montage sur la gaine	6
Installation du modèle à dérivation	7
ÉTAPE 3 : Configuration de la dérivation de l'humidificateur	7
ÉTAPE 4 : Montage	8
ÉTAPE 5 : Installation de la gaine de dérivation	9
Installation du modèle à ventilateur	10
ÉTAPE 3 : Montage	10

PLOMBERIE

Raccords d'arrivée et de vidange d'eau	11
ÉTAPE 1 : Connexion de l'arrivée d'eau	11
ÉTAPE 2 : Raccord dans une canalisation d'eau	11
ÉTAPE 3 : Raccord à la vidange d'eau	12

CÂBLAGE

Avant de raccorder l'humidificateur	13
ÉTAPE 1 : Retrait du couvercle de l'humidificateur	13

ÉTAPE 2 : Comprendre les bornes de câblage	13
ÉTAPE 3 : Comprendre les commutateurs DIP	14
ÉTAPE 4 : Installation du transformateur (modèles à dérivation uniquement)	14
ÉTAPE 5 : Câblage de l'humidificateur	14
Installation du régulateur de l'humidificateur	15
Installation à montage à distance (H6062)	15
Installation en gaine (H6062)	15-16
Câblage de l'humidistat	16
Configuration du câblage :	
Modèles avancés (HE150/HE250/HE300)	17
Modèles de base (HE100/HE200)	17
Capteur Extérieur	18-19

FONCTIONNEMENT ET RÉPARATION

Démarrage et vérification	23
Entretien de routine	24
Dépannage	25

ANNEXES

A : Spécifications	26
B : Câblage avancé	27
C : Notions avancées de vidange	32
D : Liste des pièces	33




BESOIN D'AIDE? Pour de l'assistance au sujet de ce produit, veuillez consulter le site <http://honeywellhome.com> ou téléphoner sans frais aux Services à la clientèle au 1-800-468-1502.


Lire et conserver ces instructions.

Définitions et précautions relatives à la sécurité

Définitions relatives à la sécurité


Les termes de sécurité identifient des informations qu'il faut lire avant d'installer ou d'utiliser l'humidificateur.


 **MISE EN GARDE** : Indique une situation dangereuse qui, si elle n'est pas évitée, risque d'endommager le produit ou de causer des blessures corporelles.


 **AVERTISSEMENT** : Indique une situation dangereuse qui, si elle n'est pas évitée, risque de causer des blessures graves, voire mortelles.

Précautions relatives à la sécurité

Assurez-vous de lire et de comprendre les risques d'accident suivants avant d'installer, d'utiliser ou de manipuler l'humidificateur :

 **MISE EN GARDE** : Danger de tension.
Peut causer des chocs électriques ou des dégâts matériels.
Débranchez l'équipement de CVCA et toute prise électrique utilisée pour l'installation de l'humidificateur.

 **AVERTISSEMENT** : Électrocution et danger causé par l'eau.
Peut causer la mort, la cécité, des dégâts d'eau domestiques et des défaillances de l'équipement de CVCA.

 **MISE EN GARDE** : Risque de condensation, d'incendie et de gel de l'eau.
Peut causer la défaillance du ventilateur ou du limiteur, de même que des dégâts d'eau domestiques.

Qu'attendre de votre humidificateur?

L'installateur doit considérer ces points avec le propriétaire et répondre à toute question avant de quitter le site des travaux.

- **Établissement du point de consigne d'humidité.** Un fonctionnement continu jusqu'à une semaine peut être requis pour atteindre le point de consigne d'humidité, en particulier si l'air de la maison est sec lorsque l'humidificateur est installé. Ceci peut aussi dépendre de facteurs comme la température, la superficie de la maison, l'ameublement et l'isolation.
- **Humidité idéale.** Les experts de l'industrie de la construction résidentielle citent une humidité relative de 35 % pour un confort idéal et pour préserver l'habitation durant la saison sèche typique. Les propriétaires peuvent ajuster les réglages selon leur propre confort ou jusqu'à ce qu'il y ait de la condensation sur les fenêtres. Abaissez le point de consigne si de la condensation se forme.
- **L'unité ne génère pas d'humidité.** Si l'humidificateur ne fonctionne pas, mais l'humidité est sous le point de consigne, le régulateur d'humidité peut être doté d'un réglage de protection contre le gel pour éviter la formation de condensation sur les fenêtres.
- **Ventilation résidentielle.** Une ventilation excessive chasse l'air humide à l'extérieur et le remplace par de l'air sec. Il peut alors être difficile de maintenir le point de consigne d'humidité. Si vous installez un ventilateur, utilisez une solution qui conserve l'humidité. L'utilisation d'un ventilateur récupérateur d'énergie (ERV) est recommandée.
- **Exigences de nettoyage.** Le tampon de l'humidificateur devrait être changé au moins une fois par an. Les plateaux de l'humidificateur devraient être nettoyés au même moment. Consultez la section Fonctionnement et réparation pour les détails.
- **Consommation d'énergie.** Il est important d'expliquer qu'avec toute solution d'humidification, un coût est associé à la conversion de l'eau en humidité. L'humidificateur utilise la chaleur de l'air et le débit d'air dans les gaines pour faire cette conversion, ce qui entraîne des coûts en gaz et/ou en électricité dépendant du type et de la configuration de votre système de CVCA.

Exigences d'installation importantes

Le non-respect de ces exigences annulera la garantie, nuira à l'installation et entraînera des appels de service injustifiés.

Sécurité personnelle

- Portez des lunettes de protection lors de l'installation de l'humidificateur.
- Assurez-vous de ne pas entailler la canalisation électrique ou de refroidissement de l'air.
- Respectez les normes de sécurité professionnelles et les législations locales concernant la plomberie, l'électricité et les installations mécaniques.

Emplacement de montage

- Montez l'humidificateur à niveau pour éviter les dégâts d'eau et assurer une puissance maximale.
- L'emplacement doit offrir un accès à une conduite d'eau, un système d'évacuation et une alimentation électrique.
- N'installez pas l'humidificateur si la température ambiante est inférieure à 1,1 °C (34 °F) ou supérieure à 40 °C (90 °F).
- La surface de montage doit être suffisamment robuste pour supporter le poids de l'humidificateur (jusqu'à 16 livres pour le modèle à ventilateur ou 10 livres pour le modèle à dérivation).
- Ne montez pas directement l'appareil sur le panneau de gaine.
- S'il est utilisé près d'une piscine ou d'un spa, assurez-vous que l'humidificateur ne peut pas tomber dans l'eau ou être éclaboussé.
- Assurez-vous que le couvercle supérieur et le couvercle inférieur de l'humidificateur peuvent être retirés et que le tampon est accessible à partir de l'emplacement sélectionné.

Arrivée d'eau et évacuation de l'eau

- Consultez les codes de plomberie locaux pour connaître la dimension du tuyau de vidange, les matériaux et la température maximale permise.

En cas de remplacement d'un ancien humidificateur à dérivation

Les dimensions et la forme de l'humidificateur ne sont pas identiques aux autres humidificateurs à dérivation. Avant de moderniser l'installation, il sera peut-être nécessaire d'effectuer les étapes suivantes :

- Raccordez l'humidificateur à sec sur la tuyauterie, la plomberie et le câblage avant de l'attacher à la gaine pour garantir que les raccords existants sont assez longs pour l'atteindre.
- Si l'ouverture de la gaine de l'ancien humidificateur n'est pas de la taille adaptée à l'humidificateur, choisissez un nouvel emplacement ou couvrez l'ancienne ouverture avec un morceau de tôle et coupez une nouvelle ouverture dédiée à l'humidificateur à l'aide du gabarit fourni.

Tableau des correspondances

Humidificateur	Honeywell Home	Aprilaire®	GeneralAire®
HE100 et HE150	HE225	500	570
HE200 et HE250	HE265	600	900
HE300	HE365	700	1000

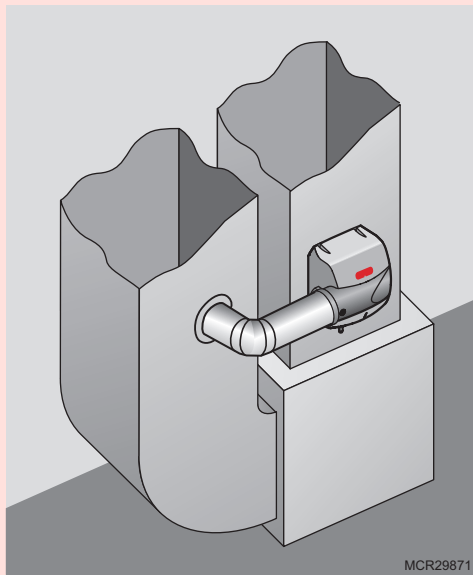
Choix d'une méthode de montage

L'installation dépend du modèle à installer, l'humidificateur à dérivation ou ventilateur :

Quel modèle d'humidificateur possédez-vous?

Dérivation :

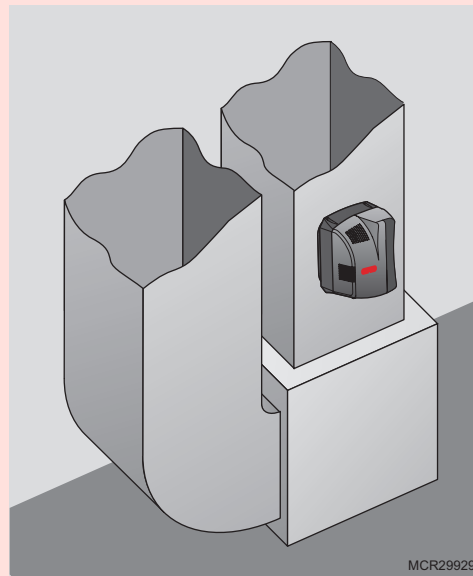
Les humidificateurs à dérivation utilisent la différence de pression entre l'arrivée et le retour pour déplacer l'air de gaine par l'humidificateur. Un accès à la gaine d'arrivée et de retour est requis. L'humidificateur à dérivation peut être placé sur la gaine d'arrivée ou de retour.



Ventilateur :

Les humidificateurs de ventilateur utilisent un ventilateur interne pour déplacer l'air à travers le tampon de l'humidificateur et le renvoyer dans la gaine pour qu'il soit distribué dans toute la maison. Le modèle à ventilateur d'humidificateur s'installe habituellement directement sur la gaine d'alimentation (chaud) de votre système de CVCA.

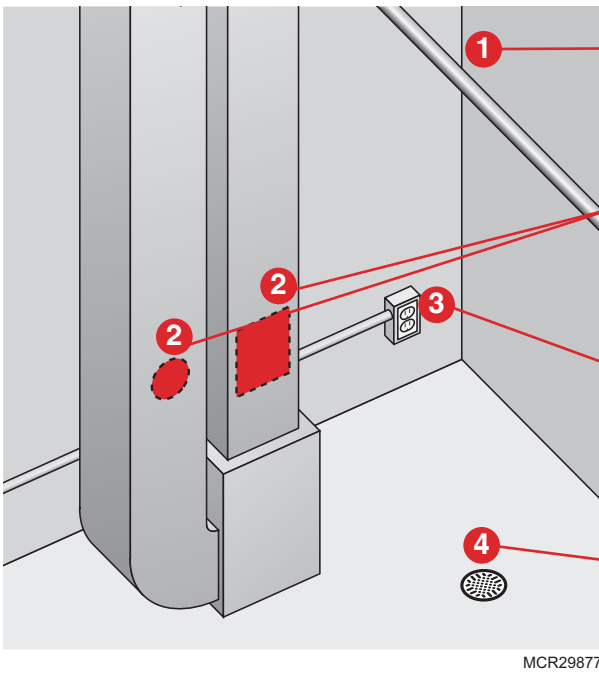
Le modèle à ventilateur peut être installé sur la gaine d'air de retour (froid), si l'emplacement le permet. Si une installation sur la gaine d'air de retour est utilisée, il est fortement recommandé d'utiliser l'eau chaude puisque l'humidité est produite par évaporation.



Avant de commencer le montage :

- J'ai confirmé que les codes locaux relatifs aux pratiques de plomberie sont respectés.
- J'ai choisi un emplacement d'installation qui répond aux exigences de la page 4.

ÉTAPE 1 : Choix d'un emplacement de montage



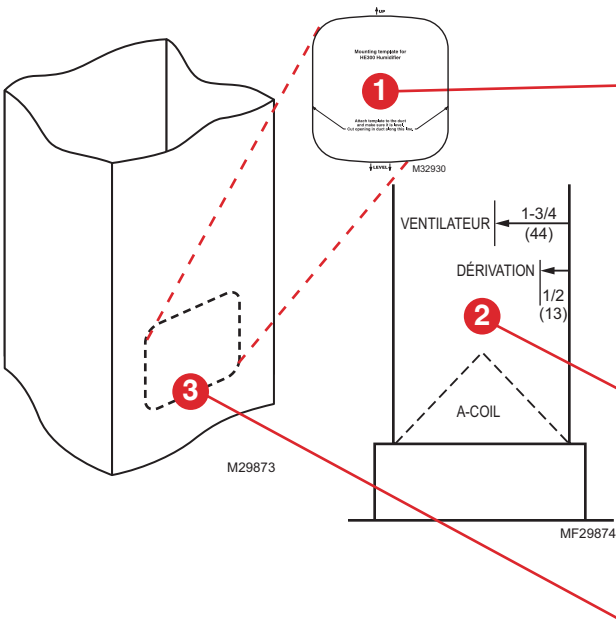
Choisissez un emplacement qui permet l'accès à un tuyau d'arrivée d'eau. De l'eau chaude ou froide peut être utilisée.

Choisissez une surface verticale ou horizontale sur la tuyauterie de l'équipement de CVCA, avec des dégagements adéquats, qui peut accueillir l'humidificateur.

L'emplacement doit aussi permettre un accès à une alimentation de 120 V c.a. Pour l'humidificateur à ventilateur HE300, le cordon électrique est de 6 pieds de long.

Assurez-vous de choisir un emplacement près d'une évacuation. Consultez les codes de plomberie locaux pour une vidange adéquate. Si aucun drain de plancher principal n'est disponible, *consultez l'Annexe C : Notions avancées de vidange.*

ÉTAPE 2 : Installation du gabarit de montage sur la gaine



Placez le gabarit sur la gaine.

- Assurez-vous que le gabarit est de niveau et dans la position désirée sur la gaine. Retirez le dos adhésif et collez le gabarit en appuyant fermement dessus à l'emplacement de montage désiré.

Assurez un dégagement adéquat du serpentin de climatisation dans la gaine.

REMARQUE : Le modèle à ventilateur HE300 s'étend de 1-3/4 po dans la gaine. Le modèle à dérivation s'étend de 1/2 po dans la gaine. Assurez un dégagement adéquat dans la gaine.

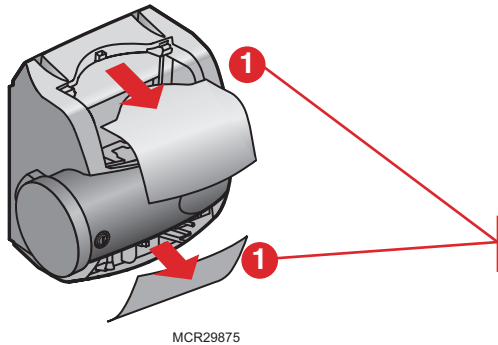
- Pour des performances optimales, maintenez au moins 61 cm (24 po) d'espace d'air vide en aval dans la gaine.

Coupez la tôle en suivant les contours du gabarit.

Si le modèle à ventilateur HE300 est installé, passez à la page 10.

Installation du modèle à dérivation

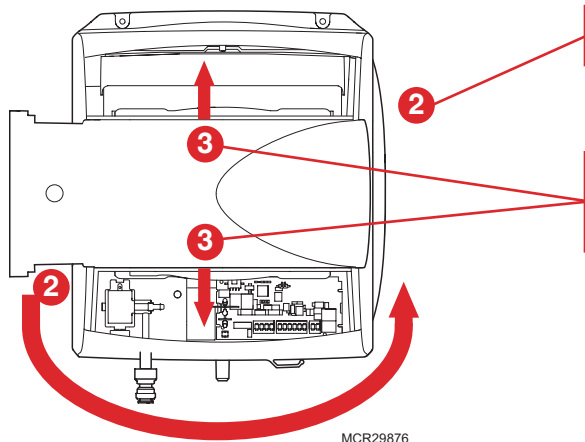
ÉTAPE 3 : Configuration de la dérivation de l'humidificateur



Configurez la prise de la dérivation de l'humidificateur sur le côté le mieux adapté à l'application.

Si la dérivation doit être de l'autre côté, retirez le couvercle supérieur et le couvercle inférieur.

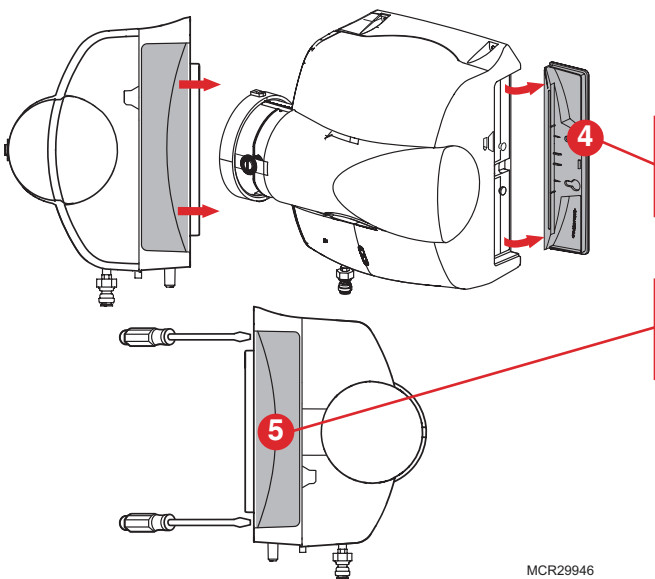
MONTAGE



Débranchez le fil du registre et branchez-le de l'autre côté (modèles HE150/HE250 uniquement).

Écartez les attaches de la dérivation pour retirer la dérivation; enclenchez-la de nouveau en position en situant la prise du côté souhaité.

Assurez-vous que le tampon est accessible. La poignée du porte-tampon et le panneau latéral de l'humidificateur peuvent être inversés pour pouvoir retirer le porte-tampon (côté opposé de l'ouverture de la gaine de dérivation).



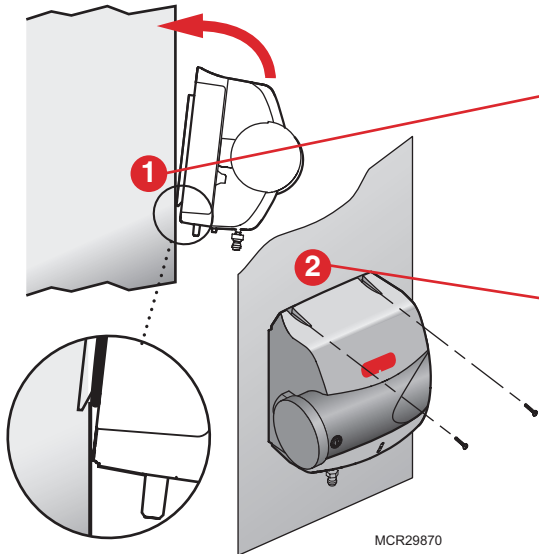
Pour retirer la poignée du porte-tampon, faites-la glisser vers l'arrière de l'humidificateur puis écartez-la de l'humidificateur.

Pour retirer le panneau latéral opposé, placez un tournevis dans les deux fentes à l'arrière de l'humidificateur et détachez le panneau.

Enclenchez la poignée du porte-tampon et glissez le panneau latéral en place dans la position désirée.

Installation du modèle à dérivation

ÉTAPE 4 : Montage



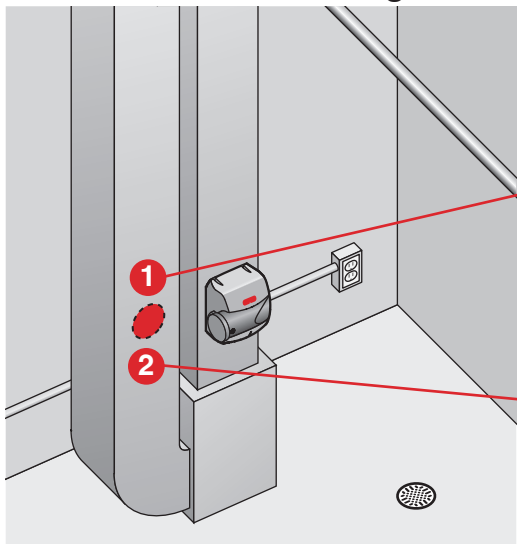
Attachez les crochets de support des modèles à dérivation sur le bord inférieur de l'orifice.

Poussez la partie supérieure de l'humidificateur contre la gaine.

Vérifiez que l'humidificateur est à niveau et attachez-le à la gaine à l'aide des deux vis à tête autotaraudeuses fournies.

Installation du modèle à dérivation

ÉTAPE 5 : Installation de la gaine de dérivation

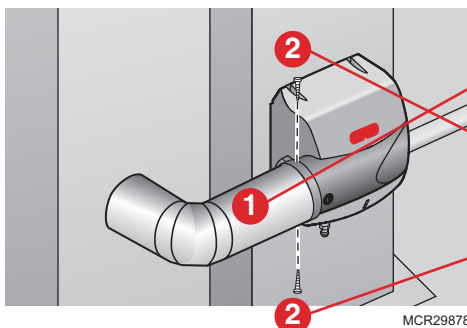


MCR29933

Sur la gaine à l'opposée de la dérivation de l'humidificateur, coupez un orifice de gaine de 6 po de diamètre.

- Si l'humidificateur est installé sur la gaine d'arrivée, l'orifice de 6 po de diamètre doit être sur le retour.
- Si l'humidificateur est installé sur la gaine de retour, l'orifice de 6 po de diamètre doit être sur l'arrivée.

Attachez un collet de gaine rond de 6 po dans l'orifice de gaine de 6 po.



MCR29878

Utilisez une gaine rigide ou aluminée flexible de 6 po pour connecter le collet de départ à l'orifice de dérivation de l'humidificateur.

Fixez la gaine à l'orifice de l'humidificateur avec des vis à tôle autotaraudeuses en utilisant les trous prépercés sur l'orifice de dérivation. Pour plus d'étanchéité, enroulez du ruban à tôle autour du point de connexion de la gaine à l'orifice.

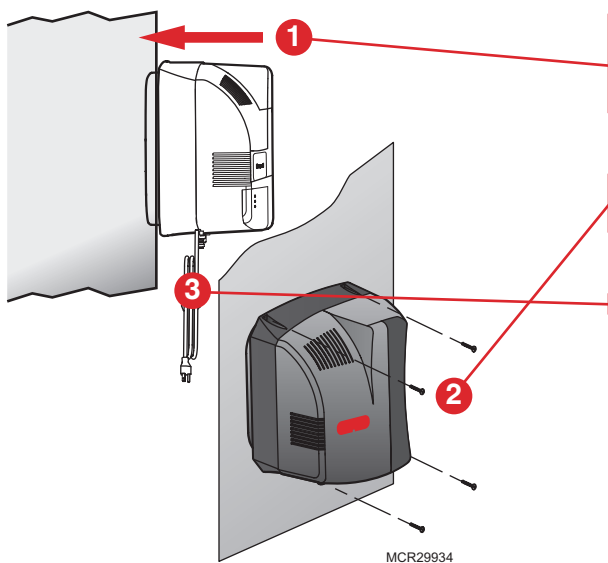
Le montage de la dérivation est terminé. Passez à la page 15.

Avant de passer à l'étape suivante :

J'ai bien fixé l'humidificateur à la gaine en respectant les instructions.

Installation du modèle à ventilateur

ÉTAPE 3 : Montage



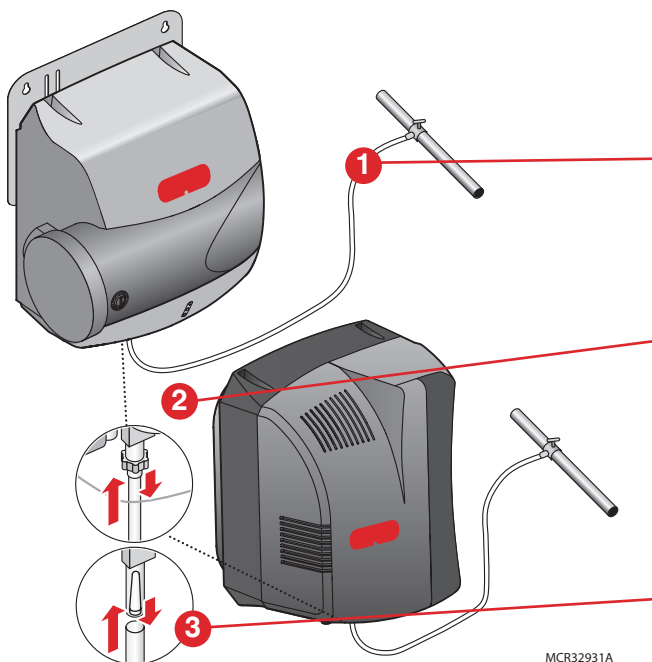
Faites glisser le modèle à ventilateur uniformément dans l'orifice de la gaine. Vérifiez que l'humidificateur est à niveau.

Fixez l'humidificateur sur la gaine à l'aide des quatre vis à tôle autotaraudeuses fournies.

Ne branchez pas l'humidificateur à ce stade.

Raccords d'arrivée et de vidange d'eau

ÉTAPE 1 : Connexion de l'arrivée d'eau



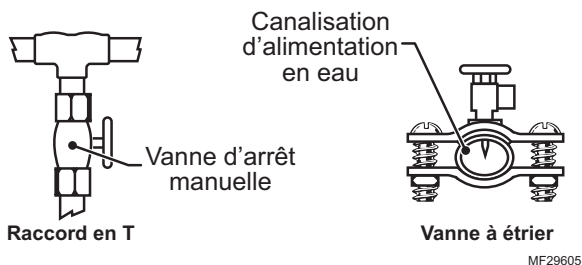
Utilisez de l'eau chaude ou froide.

Coupez la canalisation d'eau de façon à ce qu'elle s'achemine de l'humidificateur à la prise d'arrivée d'eau principale.

Insérez la canalisation d'eau dans le raccord rapide gris. Insérez-la entièrement, et tirez légèrement dessus pour vous assurer qu'elle est bien insérée.

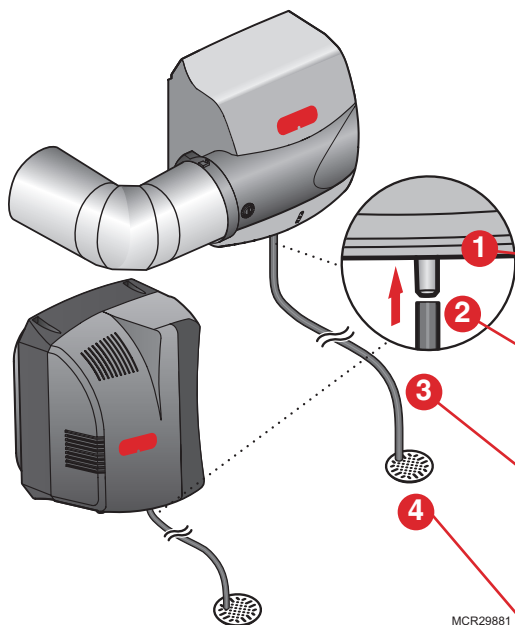
Remarque : Le raccord rapide peut être retiré s'il est préférable d'utiliser un raccord de plomberie avec écrou de serrage en laiton de 1/4 po standard. Ne retirez pas le filtre si cette option est choisie.

ÉTAPE 2 : Raccord dans une canalisation d'eau



- Consultez les codes locaux pour savoir comment exécuter correctement les travaux de plomberie.
- Utilisez la vanne à étrier fournie ou un raccord en T et une vanne d'arrêt manuelle à installer dans une canalisation d'eau.
- Reportez-vous à la documentation incluse avec la vanne choisie et aux codes de plomberie locaux. Utilisez une technique convenant à la vanne.
- Branchez l'autre extrémité de la canalisation d'eau de l'humidificateur au robinet d'eau.

ÉTAPE 3 : Raccord à la vidange d'eau



- Consultez les codes de plomberie locaux pour connaître la dimension du tuyau de vidange et les exigences de débit à respecter.
- La meilleure méthode d'installation consiste à se brancher directement dans le drain de plancher principal à l'aide du tuyau de caoutchouc fourni.
- Si aucun drain de plancher n'est disponible, consultez l'annexe C : *Notions avancées de vidange*.

Branchez le tuyau de vidange de 1/2 po fourni au raccord de vidange qui se trouve au bas de l'humidificateur.

Utilisez le collier de serrage de tuyau fourni pour fixer le tuyau de vidange au raccord.

Acheminez le tuyau de vidange jusqu'au drain de plancher. Le tuyau doit présenter une pente continue vers le bas.

Placez la sortie du tuyau dans le drain de plancher. Attachez le tuyau pour réduire le risque d'accumulation d'eau ou d'éclaboussures lorsque l'eau s'écoule de l'humidificateur.

Avant d'exécuter des travaux de câblage :

- J'ai connecté la canalisation d'arrivée d'eau à l'humidificateur et à la prise d'eau principale.
- J'ai installé le raccord de vidange.
- J'ai vérifié l'absence de fuites sur tous les raccords de plomberie.

Avant de raccorder l'humidificateur



MISE EN GARDE : Risque de haute tension.

Assurez-vous que l'humidificateur n'est pas branché avant de commencer le câblage.

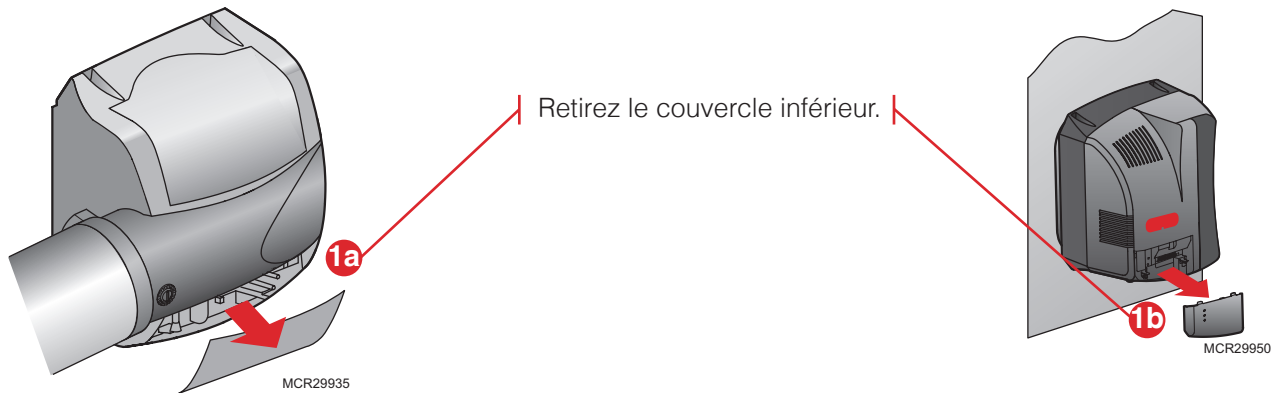
Avant de câbler l'humidificateur :

- J'ai compris tous les codes et règlements de câblage en vigueur et je les appliquerai.
- Je lirai la section « Utilisation des commutateurs DIP » commençant à la page suivante.

Quel modèle d'humidificateur ai-je en ma possession?

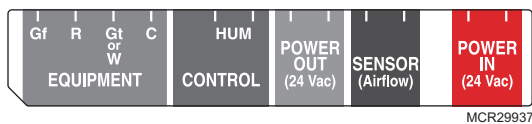
Le numéro du modèle est situé au bas de l'humidificateur.

ÉTAPE 1 : Retrait du couvercle de l'humidificateur

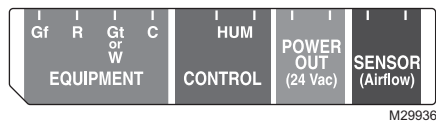


ÉTAPE 2 : Comprendre les bornes de câblage (HE150/HE250/HE300 uniquement)

Borne de dérivation HE150/HE250



Borne de ventilateur HE300



Gf : Utilisé pour forcer le ventilateur du système lorsque de l'humidité est requise.

R : Entrée du R du système. Nécessaire pour alimenter le Gf lorsque le ventilateur est mis en marche forcée.

Gt ou W : Entrée du G ou W du système. Nécessaire pour l'humidification uniquement lors des appels de chauffage ou de ventilateur du système.

HUM : Contacts alimentés pour la régulation de l'humidité.

C : Commun. Nécessaire pour l'entrée Gt ou W. Branchement au C du système.

Power Out : Puissance de 24 V pour les régulateurs électriques.

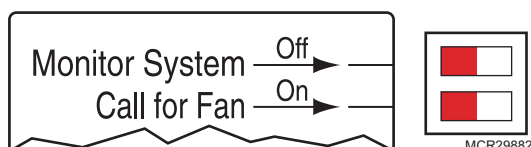
Power In : Alimentation du transformateur de 15 VA sur les modèles HE150/HE250 uniquement.

SENSOR : Contacts alimentés pour un dispositif de vérification de la présence d'air lorsqu'utilisé.

Utilisation des commutateurs DIP (HE150/HE250/HE300 uniquement)

Deux caractéristiques sont configurées par des réglages DIP qui sont décrits sous le couvercle de l'humidificateur.

ÉTAPE 3 : Comprendre les commutateurs DIP



DIP 1 (haut) : Ce commutateur recherche les entrées du système de CVCA avant de permettre l'humidité. Réglé à gauche, l'humidificateur recherchera une/des entrée(s). Réglé à droite, il n'en recherchera pas.

DIP 2 (bas) : Ce commutateur contrôle le ventilateur. Réglé à gauche, le système de CVCA contrôle le ventilateur. Réglé à droite, l'humidificateur force le ventilateur en marche lorsqu'il y a un appel d'humidité.

ÉTAPE 4 : Installation du transformateur (modèles à dérivation uniquement)

Installez le transformateur à l'extérieur d'une boîte de jonction en métal mise à la masse en utilisant uniquement une entrée défonçable de 22 mm (7/8 po). Placez les languettes de montage dans l'entrée défonçable et serrez fermement la vis de serrage. Les raccords de câblage sur site et la mise à la masse du transformateur et du boîtier doivent être faits conformément au code électrique national (NEC) et au code électrique canadien (CEC). Branchez les fils sur le côté 120 V du transformateur.

Pour les modèles HE150 et HE250, le transformateur de 15 V doit fournir une puissance constante aux bornes d'entrée de 24 V.

ÉTAPE 5 : Câblage de l'humidificateur

Utilisez le schéma de câblage sur les pages suivantes adapté à votre équipement.

Lorsque le câblage est complet, acheminez les fils sortant de l'humidificateur dans l'attache de câblage au bas de l'humidificateur.

Installation du régulateur de l'humidificateur

Installation à montage à distance

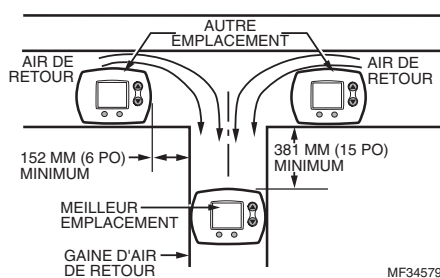
Choisissez un emplacement dans une pièce habitable.

REMARQUE : Sélectionnez un emplacement à l'abri des courants d'air et d'une humidité excessive. Évitez le montage près de portes, de fenêtres, ou dans des salles de bains ou des cuisines.

OU

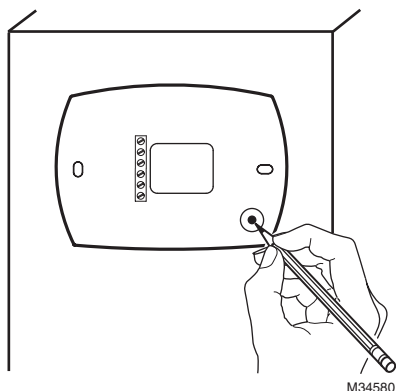
Installation en gaine (recommandée)

1. Choisissez un emplacement sur la gaine de **RETOUR**.



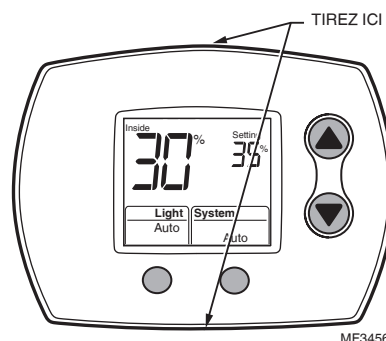
Avertissement : Le produit doit être monté sur le côté **RETOUR** de la gaine pour assurer une détection adéquate de l'humidité relative.

3. Marquez l'orifice du tube de la gaine.



Tenez la plaque murale à l'emplacement désiré sur la gaine et tracez un repère à l'intérieur de l'orifice du tube de la gaine.

2. Séparez la plaque murale de l'humidistat.



Mise en garde : Risque de choc électrique.

Peut provoquer des chocs électriques ou endommager le matériel. Coupez l'alimentation électrique avant d'effectuer le raccordement.

4. Percez l'orifice du tube de la gaine.

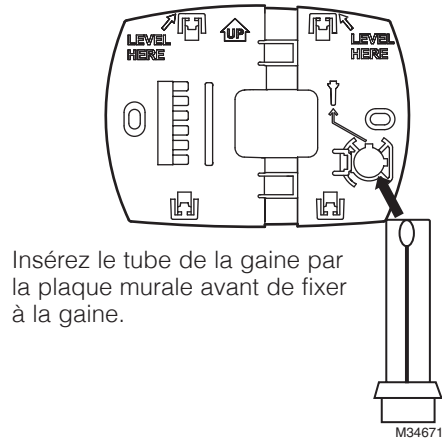


Trouvez le repère et percez un orifice de 12,7 mm (1/2 po) dans la gaine. Ceci est l'endroit où le tube de la gaine sera inséré pour capter l'air.

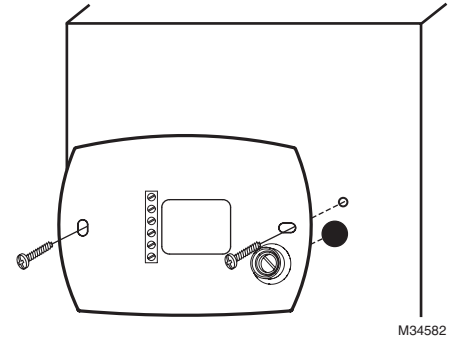
Installation du régulateur de l'humidificateur

Installation en gaine (suite)

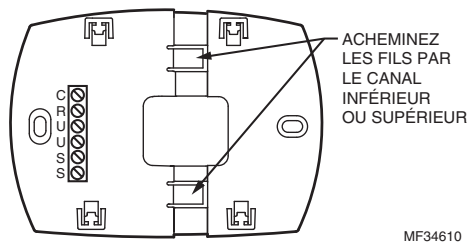
5. Insérez le tube de la gaine.



6. Fixez la plaque murale.



7. Acheminez les fils par la plaque murale.



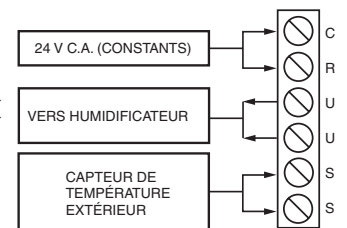
Acheminez les fils par le canal supérieur ou inférieur sur la plaque arrière pour un montage en gaine. Pour une installation similaire à un thermostat sur le mur, acheminez les fils par l'arrière.

Câblage de l'humidistat

Le régulateur d'humidité est câblé de la même façon que pour un humidistat manuel (H8908). La seule différence est que l'alimentation (24 V c.a.) et un capteur extérieur sont aussi câblés.

DÉSIGNATION DES BORNES

- C ALIMENTATION DE 24 V C.A. DE L'ÉQUIPEMENT
- R ALIMENTATION DE 24 V C.A. DE L'ÉQUIPEMENT
- VERS HUMIDIFICATEUR
- U HUMIDIFICATEUR
- U HUMIDIFICATEUR
- S CAPTEUR EXTÉRIEUR
- S CAPTEUR EXTÉRIEUR



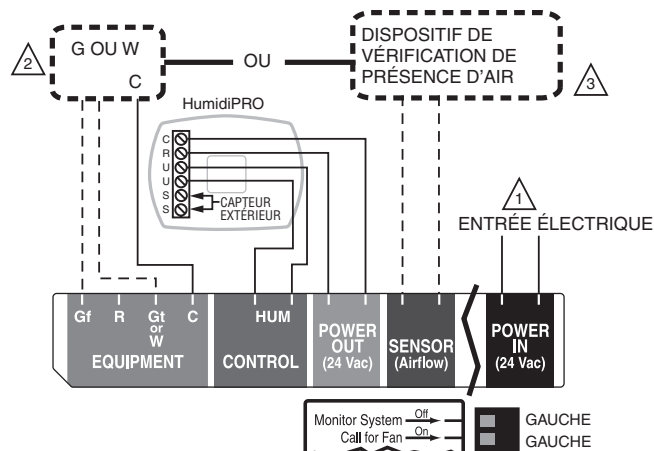
REMARQUES : LES BORNES C ET R DOIVENT AVOIR 24 V C.A. CONSTANTS! CÂBLAGE SUR LE TABLEAU DE CONTRÔLE DE L'APPAREIL DE CHAUFFAGE/DE TRAITEMENT DE L'AIR.

NE CÂBLEZ PAS LES BORNES C ET R SUR LE TRANSFORMATEUR DE L'HUMIDIFICATEUR!

MF34569

Configuration du câblage : Modèles avancés (HE150/HE250/HE300)

Câblage de l'HumidiPRO à l'humidificateur avancé TrueEASE avec verrouillage du ventilateur (HE150/HE250/HE300)

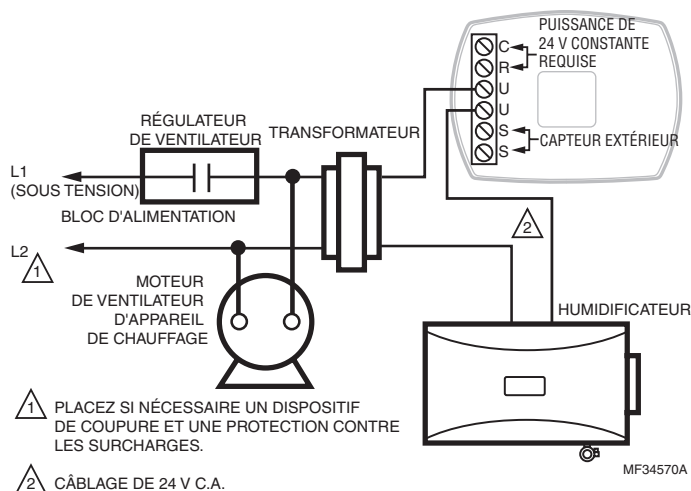


- ⚠️ 1 LES MODÈLES HE150/HE250 UTILISENT UN TRANSFORMATEUR DE 15 VA CÂBLÉ DANS UNE ENTRÉE DE 24 V. LES MODÈLES HE100/HE200 UTILISENT UN TRANSFORMATEUR DE 10 VA CÂBLÉ DANS UNE ENTRÉE DE 24 V. LE MODÈLE HE300 UTILISE UNE PRISE SUR CORDON DE SECTEUR.
- ⚠️ 2 CONNECTEZ G POUR HUMIDIFIER EN CAS D'APPEL DU VENTILATEUR. CONNECTEZ W POUR HUMIDIFIER EN CAS D'APPEL DE CHALEUR. NE CONNECTEZ JAMAIS LES DEUX. CONNECTEZ C LORSQUE G OU W EST UTILISÉ.
- ⚠️ 3 UTILISEZ UN DISPOSITIF DE VÉRIFICATION DE PRÉSENCE D'AIR AU LIEU DE LA CONNEXION G/W POUR HUMIDIFIER À TOUT MOMENT LORSQUE LE VENTILATEUR FONCTIONNE.

MF35152

Configuration de câblage : modèles de base (HE100/HE200)

Câblage de l'HumidiPRO à l'humidificateur de base TrueEASE avec verrouillage de ventilateur (HE100/HE200).



- ⚠️ 1 PLACEZ SI NÉCESSAIRE UN DISPOSITIF DE COUPURE ET UNE PROTECTION CONTRE LES SURCHARGES.
- ⚠️ 2 CÂBLAGE DE 24 V C.A.

MF34570A

CÂBLAGE

Les schémas de câblage avancés sont illustrés dans l'Annexe B commençant à la page 27.

Montage du capteur extérieur

(Non requis si la protection pour les fenêtres n'est pas nécessaire)

Emplacement

Installez le capteur dans un endroit où :

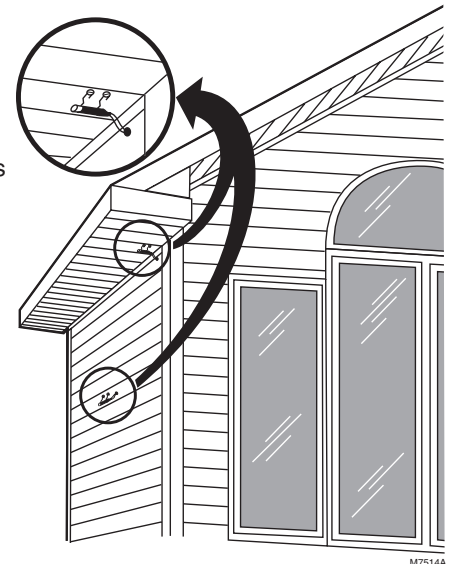
- il ne peut pas être altéré.
- l'air circule bien.
- la surface est plate.
- la distance du fil entre le capteur et l'humidistat est inférieure à 60 mètres (200 pieds).
- il est possible de mesurer la véritable température extérieure.

N'installez PAS le capteur :

- dans un endroit où il est directement exposé aux rayons du soleil.
- dans un endroit où la neige, la glace ou des débris peuvent le recouvrir.
- où de l'air chaud ou froid arrive directement sur le capteur. (Par exemple, la conduite d'évacuation d'un compresseur extérieur, d'un événement ou d'un ventilateur risquent de fausser le relevé de la température.)

Étapes d'installation du capteur

1. Retirez le capteur de sa pince de retenue.
2. Marquez l'endroit choisi pour fixer la pince de retenue du capteur.
3. Installez la pince de retenue. L'image à droite montre les emplacements typiques pour le capteur extérieur.



Câblage du capteur extérieur

MISE EN GARDE : Risque d'interférences électriques (bruits). Peut provoquer le fonctionnement erratique du système.

Tenez le fil à au moins 30 cm (1 pi) de charges inductives importantes telles que des moteurs, des démarreurs, des ballasts d'éclairage et de grands tableaux de distribution.

Utilisez du fil blindé pour réduire l'interférence lorsqu'il est impossible d'acheminer le fil autrement.

Les fils du capteur doivent être distincts de ceux du thermostat.

N'acheminez pas les fils du capteur extérieur au même endroit que le câble de distribution du bâtiment, près de contacteurs ou de circuits de gradateurs, de moteurs électriques ou de matériel de soudure.

Évitez les mauvaises connexions.

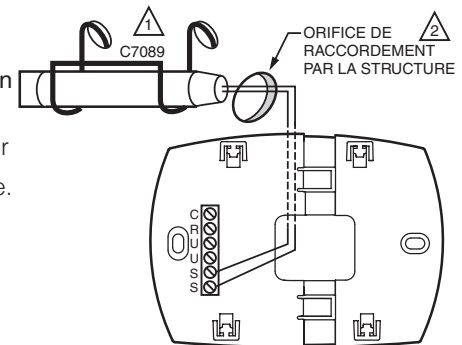
Évitez les mises à la terre intermittentes ou l'absence de mise à la terre.

MISE EN GARDE : Risque de choc électrique. Peut provoquer des chocs électriques ou endommager le matériel.

Coupez l'alimentation électrique avant d'effectuer le raccordement.

Tout le câblage doit être conforme au code du bâtiment et aux règlements locaux.

1. Câblez le capteur extérieur C7089 aux bornes S du régulateur d'humidité. Si le conducteur fourni avec le C7089 n'est pas assez long (150 cm), faites passer un fil par une ouverture à l'endroit du C7089.
 - L'utilisation d'un fil blindé chromocodé de calibre 18 est recommandée. Pour observer un exemple de raccordement du C7089, consultez l'image à droite.
 - Un fil en queue de cochon peut être utilisé.
2. Insérez le C7089 dans la pince de retenue.
3. Bouchez l'orifice de câblage à l'aide de mastic non durcissant.



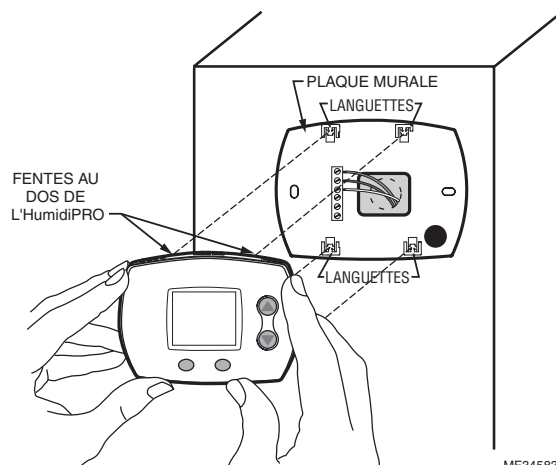
1 UTILISEZ LE MOYEN DE FIXATION QUI CONVIENT AU TYPE DE STRUCTURE.

2 BOUCHEZ L'ORIFICE DE CÂBLAGE À L'AIDE DE MASTIC NON DURCISSANT.

MF34611

Montage du régulateur d'humidité

Alignez les 4 languettes de la plaque murale sur les fentes au dos du régulateur, puis poussez délicatement jusqu'à ce que le régulateur s'enclenche en position.



Vérification

Pour de meilleurs résultats, laissez le capteur extérieur C7089B absorber l'air extérieur pendant au moins 20 minutes avant de mesurer la résistance.

À l'aide d'un thermomètre précis ($\pm 0,5$ °C [1° F]), mesurez la température à l'emplacement du capteur, en donnant au thermomètre le temps de se stabiliser avant de relever la température.

Vérifiez ensuite la précision du capteur en allant dans le test de l'installateur n° 20. Il vous indiquera la température extérieure.

Étalonnage

Le capteur extérieur C7089 est étalonné en usine. Il est toutefois possible de compenser la valeur du capteur extérieur en utilisant la fonction 35 dans Réglage de l'installateur.

Vous avez terminé l'installation du régulateur d'humidité!

Ce régulateur d'humidité a été parfaitement préprogrammé pour assurer des réglages parfaits pour la plupart des résidences.

Si ce régulateur est installé avec un capteur extérieur, il fonctionnera en MODE AUTOMATIQUE, ce qui règle automatiquement l'humidité pour éviter la formation de condensation sur les fenêtres.

Si vous l'avez installé sans capteur extérieur, il fonctionnera en MODE MANUEL, en fournissant au propriétaire de la résidence à contrôle simple et direct de l'humidificateur (réglage du pourcentage d'humidité relative uniquement).

Réglages avancés de l'installateur

Consultez la page suivante pour personnaliser les fonctions.

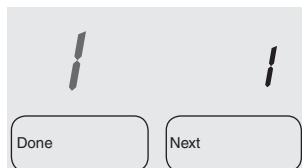
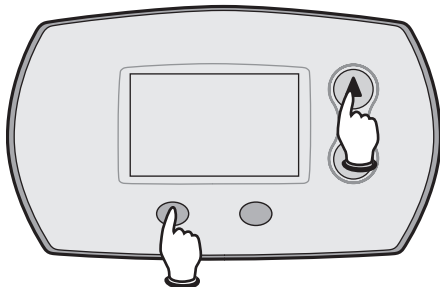
Test du système de l'installateur

Si le réglage avancé de l'installateur n'est pas requis, passez directement à « Test/Vérification du système de l'installateur » à la page 22.

Réglages avancés de l'installateur

Resideo a déjà programmé ce régulateur pour un fonctionnement approprié dans la plupart des applications. Vous pouvez toutefois modifier les réglages avancés en suivant les étapes ci-dessous.

Pour commencer, **appuyez sans relâcher** sur les boutons ▲ et LIGHT (éclairage) jusqu'à ce que l'affichage change.



M29387A

Appuyez sur ▲ ou ▼ pour modifier les réglages.

Appuyez sur **NEXT** (suivant) pour passer à la fonction suivante.

Appuyez sur **DONE** (terminé) pour enregistrer les modifications et quitter le mode de réglage.

Numéro de fonction	Réglage	
	Affiché	Description
1 Type de système	1	Humidificateur
	2	Déshumidificateur
4 Mode de régulation Le mode par défaut est le mode automatique lorsqu'un capteur extérieur est détecté. Le mode par défaut est le mode manuel lorsqu'AUCUN capteur extérieur n'est détecté.	1	Automatique
	2	Manuel
5 % d'HR en mode automatique Ceci est le point de consigne d'humidité (% HR) utilisé par le régulateur. Le propriétaire ne change pas cette valeur et n'a qu'à définir le réglage de protection des fenêtres approprié.	Plage : 20 % - 60 % Défaut = 35 %	
	0	ARRÊT
11 Supplément d'humidité en mode automatique Augmente le % d'HR pré-réglé (n° 5) lorsque l'utilisateur définit la protection des fenêtres à 11.	5 %	5 %
	10 %	10 %
17 La coupure haute température en mode automatique Éteint l'humidificateur lorsque la température extérieure est supérieure au réglage sélectionné.	Plage : 40 ° - 90 ° 0 = Arrêt Défaut = 65 °	
19 Humidification limite haute	Plage : 10 % - 90 % Défaut = 60 %	
20 Humidification limite basse	Plage : 10 % - 90 % Défaut = 10 %	
21 Déshumidification limite haute	Plage : 10 % - 90 % Défaut = 80 %	
23 Déshumidification limite basse	Plage : 10 % - 90 % Défaut = 40 %	
25 Verrouillage du compresseur de déshumidification	0-5 Minutes Défaut = 0 minutes (arrêt)	
30 Étalonnage de la détection de l'humidité Cette fonction compensera l'humidité intérieure détectée.	Plage : -9 % à +9 % Défaut = 0 (affiche le % d'HR)	
35 Étalonnage du capteur de température extérieure Cette fonction compensera la température extérieure détectée si nécessaire.	Plage : -9 ° à +9 ° Défaut = 0 (affiche la température extérieure)	

Indice de gel HumidiPRO™

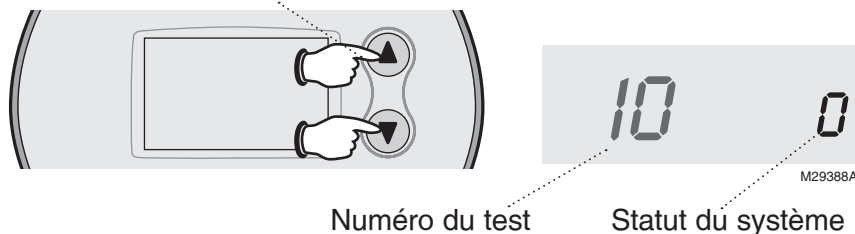
		Température extérieure					
		-10°F	0°F	10°F	20°F	30°F	40°F
Indice de gel	1	10 10	10 10	11 11	17 17	25 25	35 36
	2	10 10	10 10	15 15	21 21	29 29	35 39
	3	10 10	14 14	19 19	26 26	34 34	35 46
	4	15 15	19 19	25 25	32 32	35 39	35 52
	5	21 21	26 26	32 32	35 38	35 48	35 58
	6	29 29	34 34	35 39	35 48	35 56	35 60
	7	35 39	35 46	35 52	35 58	35 60	35 60
	8*	35 56	35 60	35 60	35 60	35 60	35 60
	9	35 60	35 60	35 60	35 60	35 60	35 60
	10	35 60	35 60	35 60	35 60	35 60	35 60

*Les valeurs en noir indiquent l'humidité la plus haute permise lorsque le % d'HR par défaut (35 %) est sélectionné.

Remarque : Les valeurs en gris plus petites indiquent l'humidité la plus haute permise lorsque le % d'HR maximum (60 %) est sélectionné.

Test/vérification du système de l'installateur

Pour commencer, **appuyez sans relâcher** sur les boutons ▲ et ▼ jusqu'à ce que l'affichage change.



Appuyez sur ▲ / ▼ pour allumer/ éteindre le système.

Appuyez sur **NEXT** (suivant) pour passer au test suivant.

Appuyez sur **DONE** (terminé) pour mettre fin au test du système.

Numéro de fonction	Réglage	
	Référence	Description
10 Test du système	0	ARRÊT
	1	ON
20 Afficher la température extérieure	Affiche la température extérieure	

REMARQUE : La plupart des humidificateurs nécessitent un débit d'air dans le système pour fonctionner. Assurez-vous que le ventilateur du système est en marche lors du test du fonctionnement de l'humidificateur.

Spécifications H6062

Plages d'humidité :

Humidification :

- Défaut : 10 % à 60 %
- Plage disponible totale : 10 % à 90 %

Température ambiante de service

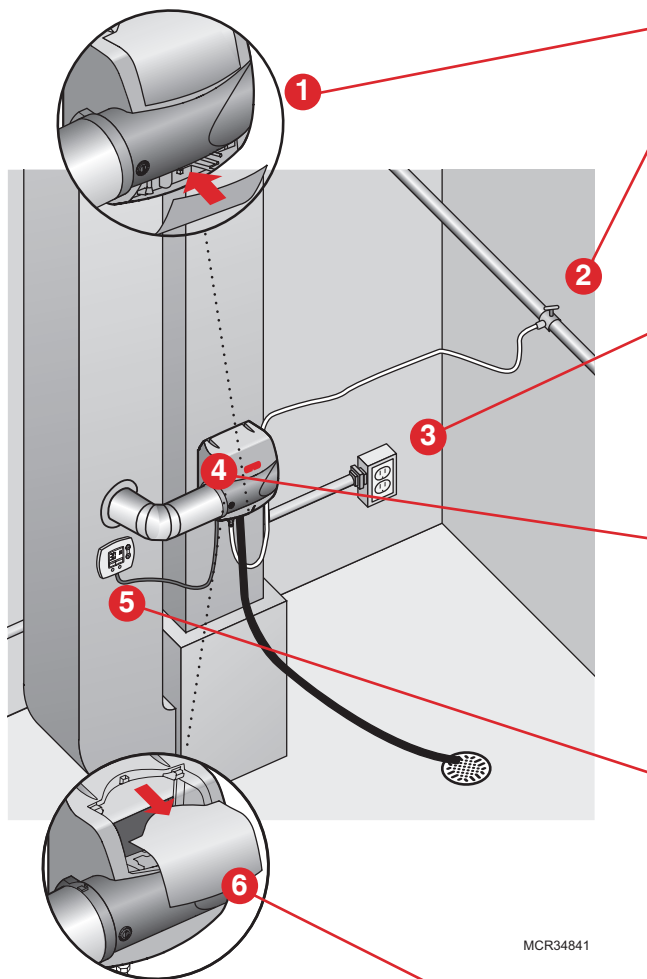
- 0 °C à 48,9 °C (32 °F à 120 °F)

Humidité relative de service

- 5 % à 90 % (sans condensation)

Démarrage et vérification

Une fois l'installation terminée, suivez les étapes ci-dessous. Assurez-vous que l'humidificateur fonctionne correctement avant que le propriétaire ne prenne possession du système. Une fois l'humidificateur en marche, le fonctionnement quotidien est automatique. Le propriétaire de la maison peut utiliser le régulateur pour régler les niveaux d'humidité et allumer ou couper l'humidificateur.



MCR34841

1 Enclenchez le couvercle inférieur en place.

2 Rétablissez l'arrivée d'eau au niveau de la vanne à étrier ou du raccord en T et du robinet d'arrêt manuel. L'eau s'écoule vers l'humidificateur mais ne passe pas par le tampon tant que le régulateur d'humidité n'est pas en marche.

3 Branchez l'humidificateur (HE300) ou alimentez le système de CVCA (HE100/HE150/HE200/HE250)

- Sur les modèles avancés, les voyants DEL clignotent pendant 3 à 5 secondes pour vérifier que le système est alimenté.

4 Sur les modèles HE100/HE200, mettez le bouton de position du registre sur la prise de dérivation pour qu'il soit parallèle à la prise de dérivation. Sur les modèles HE150/HE250, l'humidificateur effectue automatiquement cette étape. Non applicable sur les modèles HE300.

5 Mettez le régulateur d'humidité en marche.

- Si le câblage est configuré pour un fonctionnement avec chauffage ou ventilateur uniquement, faites les demandes de système appropriées pour permettre l'humidification.
- Assurez-vous que l'air souffle par le réseau de gaines lors de l'appel à l'humidificateur.

6 Le voyant d'humidification s'allume en continu lorsque l'eau passe par le tampon de l'humidificateur.

- Sur les modèles HE150/HE250, retirez le couvercle supérieur de l'humidificateur pour vérifier que le débit d'eau passe par le plateau supérieur et dans le tampon. Assurez-vous que le registre tourne en position ouverte lorsque l'humidification est en marche, et tourne en position fermée lorsque l'humidification est arrêtée.
- Sur les modèles HE300, vérifiez que de l'eau sort du tuyau d'évacuation.

Vérifiez tous les raccords des canalisations d'eau et de vidange pour vous assurer de l'absence de fuites avant de quitter l'emplacement d'exécution des travaux.

- Vérifiez l'absence de fuite immédiatement après avoir ouvert l'arrivée d'eau principale, puis après 15 minutes de fonctionnement de l'humidificateur.

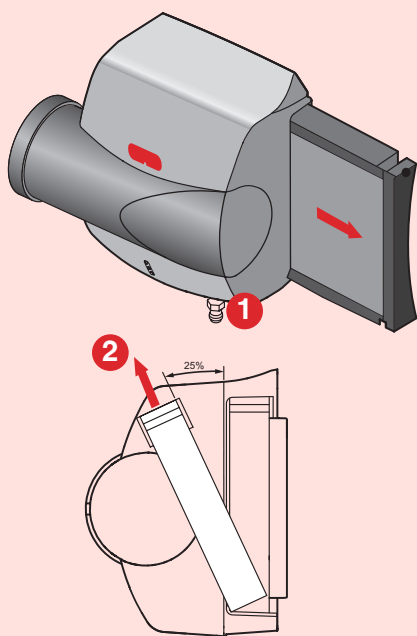
Réglez le point de consigne au niveau désiré une fois les tests terminés. Si aucune humidité n'est requise, mettez le régulateur sur la position Arrêt et tournez le bouton de position du registre sur la sortie de dérivation perpendiculairement à la sortie de dérivation (HE100/HE200 uniquement).

Entretien de routine

Le tampon de l'humidificateur devrait être changé au moins une fois par an ou lorsque le voyant « Replace Pad » (Remplacer le tampon) s'allume. Ceci est important pour assurer le fonctionnement optimal de l'appareil. Ceci peut être fait au début ou à la fin de la saison sèche. La conception de l'humidificateur permet de procéder facilement et rapidement au remplacement, car l'accès au tampon se fait en une seule étape.

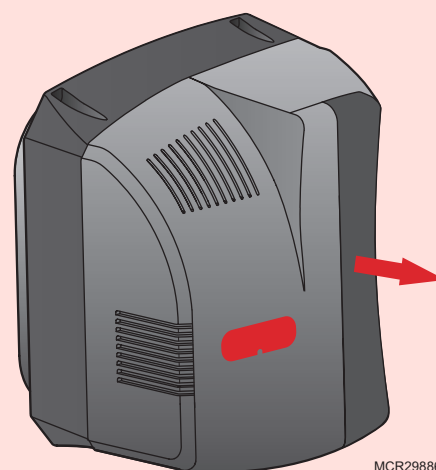
Dérivation :

1a. Le tampon peut être remplacé par le côté en saisissant la poignée noire et en tirant, ou par l'avant en retirant le couvercle supérieur de l'humidificateur et en basculant le tampon vers l'avant et vers l'extérieur. Le tampon peut être retiré de l'autre côté de l'humidificateur, en fonction de l'installation.





Ventilateur :

1b. Le tampon peut être remplacé par l'avant en saisissant la poignée noire et en la tirant vers l'extérieur.



2. Retirez le plateau en haut du tampon et essuyez-le pour retirer tout sédiment présent.
3. Remplacez l'ancien tampon par un neuf, en vous assurant qu'il est correctement orienté (consultez la boîte du tampon). Essuyez tout sédiment présent à l'intérieur du cadre du tampon.
4. Insérez de nouveau le plateau en haut du tampon avec les flèches à l'intérieur du plateau pointant dans la gaine. Réinsérez ensuite le cadre dans l'humidificateur.
5. Une fois le remplacement effectué, retirez le couvercle inférieur et appuyez sur le bouton RESET (Réinitialiser) pour réinitialiser la minuterie d'entretien.

Dépannage

Problème	Raisons	Solutions
Basse humidité	La soufflante de l'appareil de chauffage ne fonctionne pas	<ol style="list-style-type: none"> 1. Réenclenchez votre disjoncteur ou recherchez un fusible grillé. 2. Assurez-vous que l'appareil de chauffage est alimenté en courant. 3. Vérifiez tous les raccords de câblage externes. 4. Vérifiez le réglage du régulateur d'humidité.
	Changements d'air rapides ou courants d'air	<ol style="list-style-type: none"> 1. Gardez les portes et les fenêtres fermées. 2. Fermez le registre du foyer s'il n'est pas utilisé. 3. Limitez l'utilisation du ventilateur d'échappement. 4. Étanchéisez le pourtour des portes et des fenêtres.
Haute humidité	Condensation sur les murs	<ol style="list-style-type: none"> 1. Coupez le régulateur d'humidité et l'eau jusqu'à ce que la condensation ait disparu.
	Forte condensation sur les fenêtres	<ol style="list-style-type: none"> 1. Réduisez le régulateur d'humidité de façon à éliminer la condensation créée par l'humidité. Si l'humidité persiste, le domicile doit être mieux ventilé.
Le voyant de remplacement du tampon est allumé (HE150/HE250/HE300)	Ceci est le rappel annuel indiquant qu'il faut remplacer le tampon dans l'humidificateur	<ol style="list-style-type: none"> 1. Consultez la liste des pièces et remplacez le tampon correspondant au modèle d'humidificateur utilisé. 2. Une fois le tampon remplacé, appuyez sur le bouton RESET (Réinitialiser) sous le couvercle.
Le voyant d'entretien est allumé (HE150/HE250)	Le registre à l'intérieur de la dérivation ne s'est pas complètement ouvert	<ol style="list-style-type: none"> 1. Appuyez sur le bouton RESET (Réinitialiser) sous le couvercle. 2. Vérifiez que la prise du registre est connectée sur le côté de l'humidificateur comportant la sortie de dérivation. 3. Assurez-vous qu'il n'y a pas d'interférence provenant des vis à tôles raccordant la dérivation à la gaine. 4. Si la panne persiste, remplacez le moteur du registre de dérivation.
	Le dispositif de vérification de présence d'air a détecté une absence de mouvement d'air. Uniquement possible si les commutateurs DIP sont configurés de la façon suivante :	
Le voyant d'entretien est allumé (HE300)	Panne du moteur du ventilateur	<ol style="list-style-type: none"> 1. Appuyez sur le bouton RESET (Réinitialiser) sous le couvercle. 2. Débranchez et rebranchez l'humidificateur. 3. Si la panne persiste, remplacez le moteur.
	Le dispositif de vérification de présence d'air a détecté une absence de mouvement d'air. Uniquement possible si les commutateurs DIP sont configurés de la façon suivante :	

A : Spécifications

Capacité d'humidification

À une température de plénum de 49 °C (120 °F) et une chute de pression statique de 0,20 sur l'arrivée et le retour :

HE100/150 : Jusqu'à 46 litres/jour (12 gal/jour)

HE200/250 : Jusqu'à 65 l/jour (17 gal/jour)

HE300 : Jusqu'à 68 l/jour (18 gal/jour)

Volume humidifié

HE100/150 : Jusqu'à 16 000 pieds cubes

HE200/250 : Jusqu'à 20 000 pieds cubes

HE300 : Jusqu'à 24 000 pieds cubes

Dimensions

HE100/150 : 368 mm (l) x 356 mm (h) x 257 mm (p)
[14,5 po (l) x 14 po (h) x 10,1 po (p)]

HE200/250 : 381 mm (l) x 436 mm (h) x 257 mm (p)
[15 po (l) x 17,15 po (h) x 10,1 po (p)]

HE300 : 394 mm (l) x 427 mm (h) x 262 mm (p)
[15,5 po (l) x 16,8 po (h) x 10,3 po (p)]

Dimensions du tampon de l'humidificateur

HE100/150 : 241 mm (l) x 249 mm (h) x 38 mm (p)
[9-1/2 po (l) x 9-13/16 po (h) x 1-1/2 po (p)]

HE200/250 : 254 mm (l) x 330 mm (h) x 38 mm (p)
[10 po (l) x 13 po (h) x 1-1/2 po (p)]

HE300 : 254 mm (l) x 330 mm (h) x 38 mm (p)
[10 po (l) x 13 po (h) x 1-1/2 po (p)]

Pression statique

HE100/150 : Assurez une pression statique dans le plénum de 0,3 po c.e. max.

HE300 : Assurez une pression statique dans le plénum de 0,4 po c.e. max.

Dimensions de l'ouverture du plénum

HE100/150 : 238 mm (l) x 241 mm (h)

[9-5/16 po (l) x 9-7/16 po (h)]

HE200/250 : 248 mm (l) x 321 mm (h)

[9-3/4 po (l) x 12-5/8 po (h)]

HE300 : 343 mm (l) x 357 mm (h)

[13-1/2 po (l) x 14-1/16 po (h)]

Dimensions de l'ouverture de la gaine de dérivation (HE100/150/200/250)

152 mm (6 po)

Plages de fonctionnement

1,1 °C–32 °C (34 °F–90 °F)

Humidité : 0 à 95 % d'HR, sans condensation

Raccord de vidange

Tuyau en plastique de 13 mm (1/2 po) de dia. ext. directement connecté au raccord de vidange sur l'unité.

Tensions nominales et tolérances

HE100/200 : 24 V c.a., 60 Hz, 0,5 A maximum

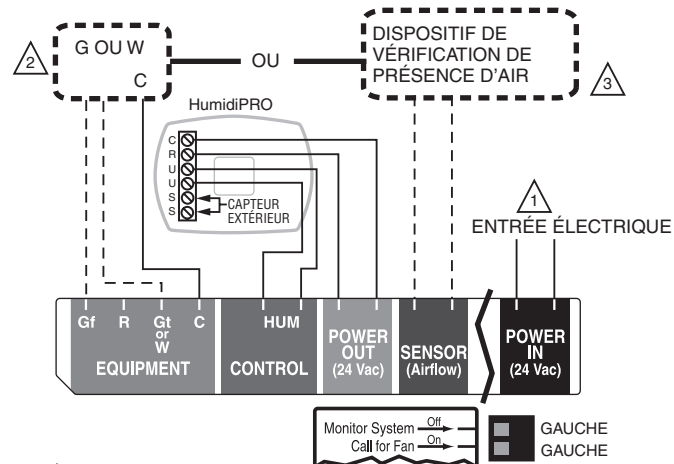
HE150/250 : 24 V c.a., 60 Hz, 0,75 A maximum

HE300 : 120 V c.a., 60 Hz, 1 A maximum

B : Câblage avancé

Configuration du câblage : Modèles avancés (HE150/HE250/HE300)

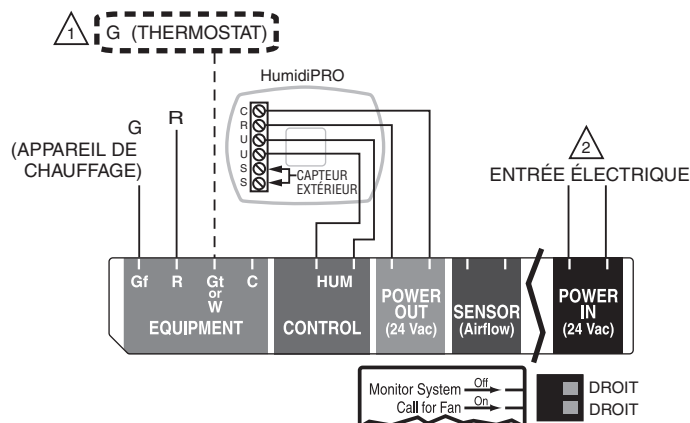
Câblage de l'HumidiPRO à l'humidificateur avancé TrueEASE avec verrouillage du ventilateur



- 1 LES MODÈLES HE150/HE250 UTILISENT UN TRANSFORMATEUR DE 15 VA CÂBLÉ DANS UNE ENTRÉE DE 24 V.
LES MODÈLES HE100/HE200 UTILISENT UN TRANSFORMATEUR DE 10 VA CÂBLÉ DANS UNE ENTRÉE DE 24 V.
LE MODÈLE HE300 UTILISE UNE PRISE SUR CORDON DE SECTEUR.
- 2 CONNECTEZ G POUR HUMIDIFIER EN CAS D'APPEL DU VENTILATEUR.
CONNECTEZ W POUR HUMIDIFIER EN CAS D'APPEL DE CHALEUR.
NE CONNECTEZ JAMAIS LES DEUX. CONNECTEZ C LORSQUE G OU W EST UTILISÉ.
- 3 UTILISEZ UN DISPOSITIF DE VÉRIFICATION DE PRÉSENCE D'AIR AU LIEU DE LA CONNEXION G/W POUR HUMIDIFIER À TOUT MOMENT LORSQUE LE VENTILATEUR FONCTIONNE.

MF35152

Câblage pour forcer le ventilateur du système de CVCA dès que de l'humidité est requise (à la demande).

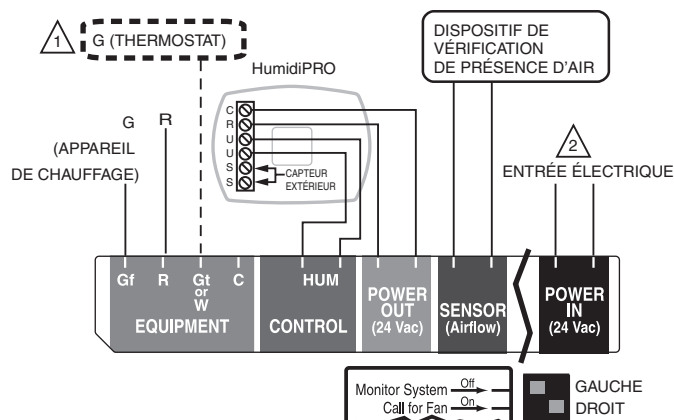


- 1 NÉCESSAIRE UNIQUEMENT SI LE THERMOSTAT DU SYSTÈME N'ISOLE PAS Y DE G. SI NÉCESSAIRE, COUPEZ LA CONNEXION DU G DU THERMOSTAT AU G DU SYSTÈME ET ACHÉMINÉZ PAR L'HUMIDIFICATEUR COMME ILLUSTRÉ.
- 2 LES MODÈLES HE150/HE250 UTILISENT UN TRANSFORMATEUR DE 15 VA CÂBLÉ DANS UNE ENTRÉE DE 24 V.
LES MODÈLES HE100/HE200 UTILISENT UN TRANSFORMATEUR DE 10 VA CÂBLÉ DANS UNE ENTRÉE DE 24 V.
LE MODÈLE HE300 UTILISE UNE PRISE SUR CORDON DE SECTEUR.

MF35154

Configuration du câblage : Modèles avancés (HE150/HE250/HE300)

Câblage pour forcer le ventilateur et vérifier la présence d'air dans la gaine.

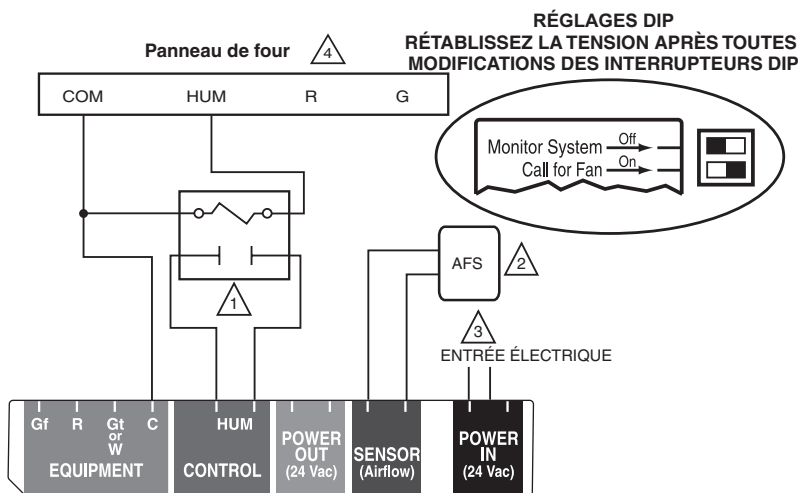


⚠️ NÉCESSAIRE UNIQUEMENT SI LE THERMOSTAT DU SYSTÈME N'ISOLE PAS Y DE G. SI NÉCESSAIRE, COUPEZ LA CONNEXION DU G DU THERMOSTAT AU G DU SYSTÈME ET ACHEMINEZ PAR L'HUMIDIFICATEUR COMME ILLUSTRÉ.

⚠️ LES MODÈLES HE150/HE250 UTILISENT UN TRANSFORMATEUR DE 15 VA CÂBLÉ DANS UNE ENTRÉE DE 24 V. LES MODÈLES HE100/HE200 UTILISENT UN TRANSFORMATEUR DE 10 VA CÂBLÉ DANS UNE ENTRÉE DE 24 V. LE MODÈLE HE300 UTILISE UNE PRISE SUR CORDON DE SECTEUR.

MF35155

Câblage du TrueEASE à l'équipement avec bornes alimentées.



⚠️ AJOUTEZ UN RELAIS D'ISOLATION DE 24 V C.A. (TEL QUE LE R8222B1067) ENTRE L'HUMIDIFICATEUR ET LE SYSTÈME DE TRAITEMENT DE L'AIR.

⚠️ UN COMMUTATEUR D'AÉRATION 50027910-001 (AFS) EST RECOMMANDÉ POUR GARANTIR UNE BONNE AÉRATION LORSQUE L'HUMIDIFICATEUR EST EN MARCHÉ. SI LE COMMUTATEUR AFS EST UTILISÉ, RÉGLEZ LE COMMUTATEUR DIP 1 SUR ARRÊT (GAUCHE).

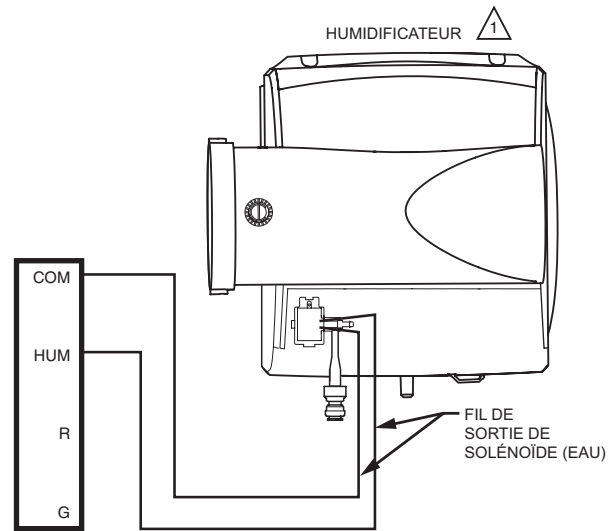
⚠️ LES MODÈLES HE150/HE250 UTILISENT UN TRANSFORMATEUR DE 15 VA CÂBLÉ DANS UNE ENTRÉE DE 24 V. LES MODÈLES HE100/HE200 UTILISENT UN TRANSFORMATEUR DE 10 VA CÂBLÉ DANS UNE ENTRÉE DE 24 V. LE MODÈLE HE300 UTILISE UNE PRISE SUR CORDON DE SECTEUR.

⚠️ LE SCHÉMA DE CÂBLAGE SUPPOSE L'UTILISATION D'UN THERMOSTAT COMMUNIQUANT SPÉCIFIQUE À L'ÉQUIPEMENT POUR CONTRÔLER L'HUMIDIFICATEUR.

MF34836

Configuration du câblage : Modèles de base (HE100/HE200)

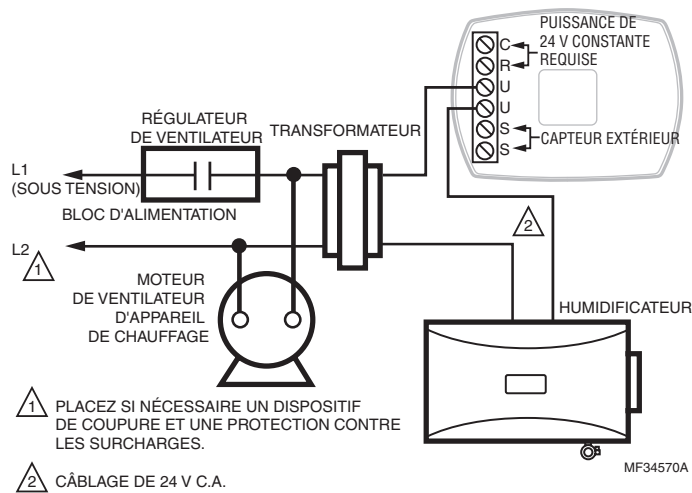
Câblage du TrueEASE à l'équipement avec bornes alimentées.



1 LE SCHÉMA DE CÂBLAGE SUPPOSE L'UTILISATION D'UN THERMOSTAT COMMUNIQUANT SPÉCIFIQUE À L'ÉQUIPEMENT POUR CONTRÔLER L'HUMIDIFICATEUR.

MF33039

Câblage de l'HumidiPRO avec verrouillage de ventilateur.



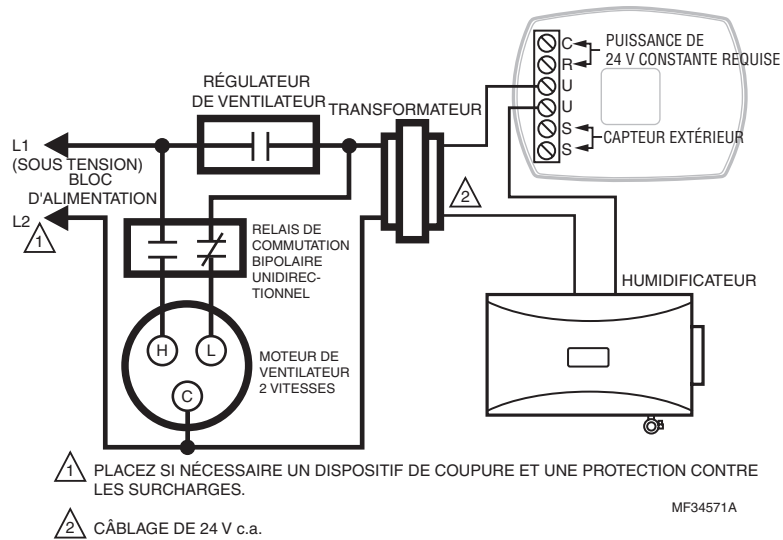
1 PLACEZ SI NÉCESSAIRE UN DISPOSITIF DE COUPURE ET UNE PROTECTION CONTRE LES SURCHARGES.

2 CÂBLAGE DE 24 V C.A.

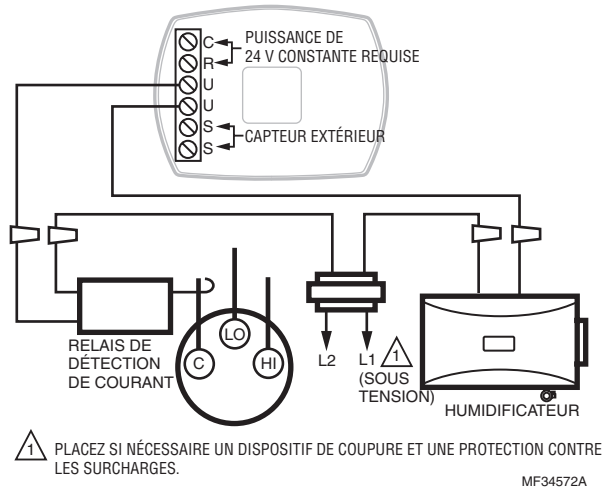
MF34570A

Configuration du câblage : Modèles de base (HE100/HE200)

Câblage de l'HumidiPRO avec moteur de ventilateur à deux vitesses.

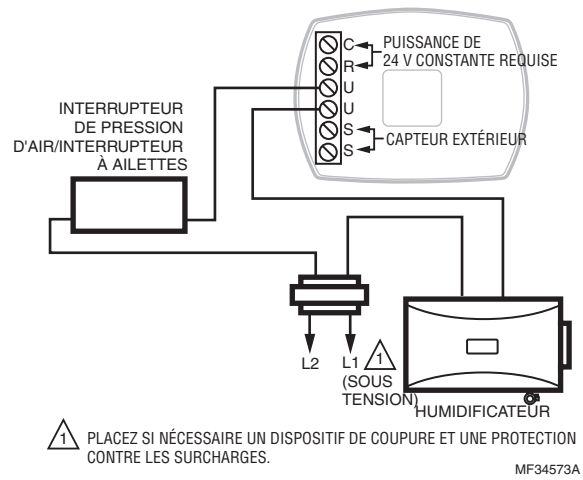


Câblage de l'HumidiPRO avec relais à détection de courant.



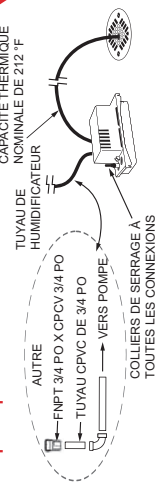
Configuration du câblage : Modèles de base (HE100/HE200)

Câblage en ligne de l'HumidiPRO avec dispositif de vérification de présence d'air.



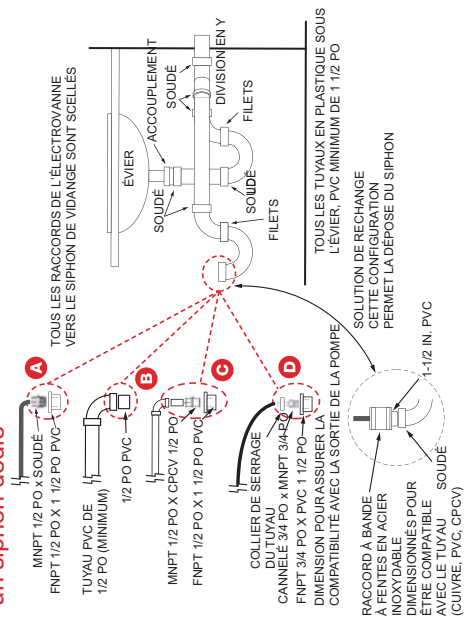
C : Notions avancées de vidange

Option 1 : La plomberie pour vidanger la pompe à condensats



- Pompe (capacité de température de 140 °F, débit de pompe nominal >5 gal/h et augmentation de 9 pieds).
- La pompe doit être alimentée lorsque de l'humidificateur fonctionne.
- Utilisez une pompe dotée d'un détecteur de débordement intégré ou installez la pompe dans un plateau d'écoulement avec un commutateur humidité pour mettre de l'humidificateur hors fonction.

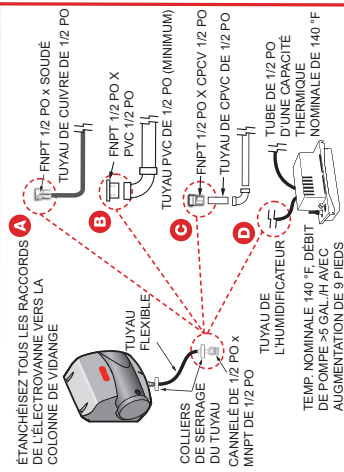
Option 3 : Plomberie vers l'évier avec un siphon dédié



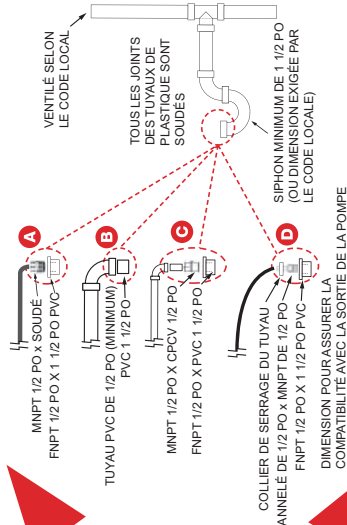
POUR TOUTES LES OPTIONS ILLUSTRÉES :

- Supportez le tuyau de caoutchouc à tous les 6 po
- Le PVC doit être d'un calibre 40 ou plus.
- Tous les joints des tuyaux de plastique sont soudés.
- Vidangez dans un siphon P qui restera mouillé en tout temps.

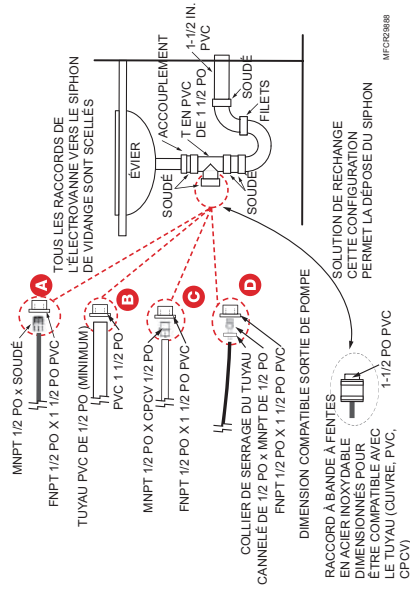
Branchez à l'humidificateur. Commun à toutes les options de plomberie.



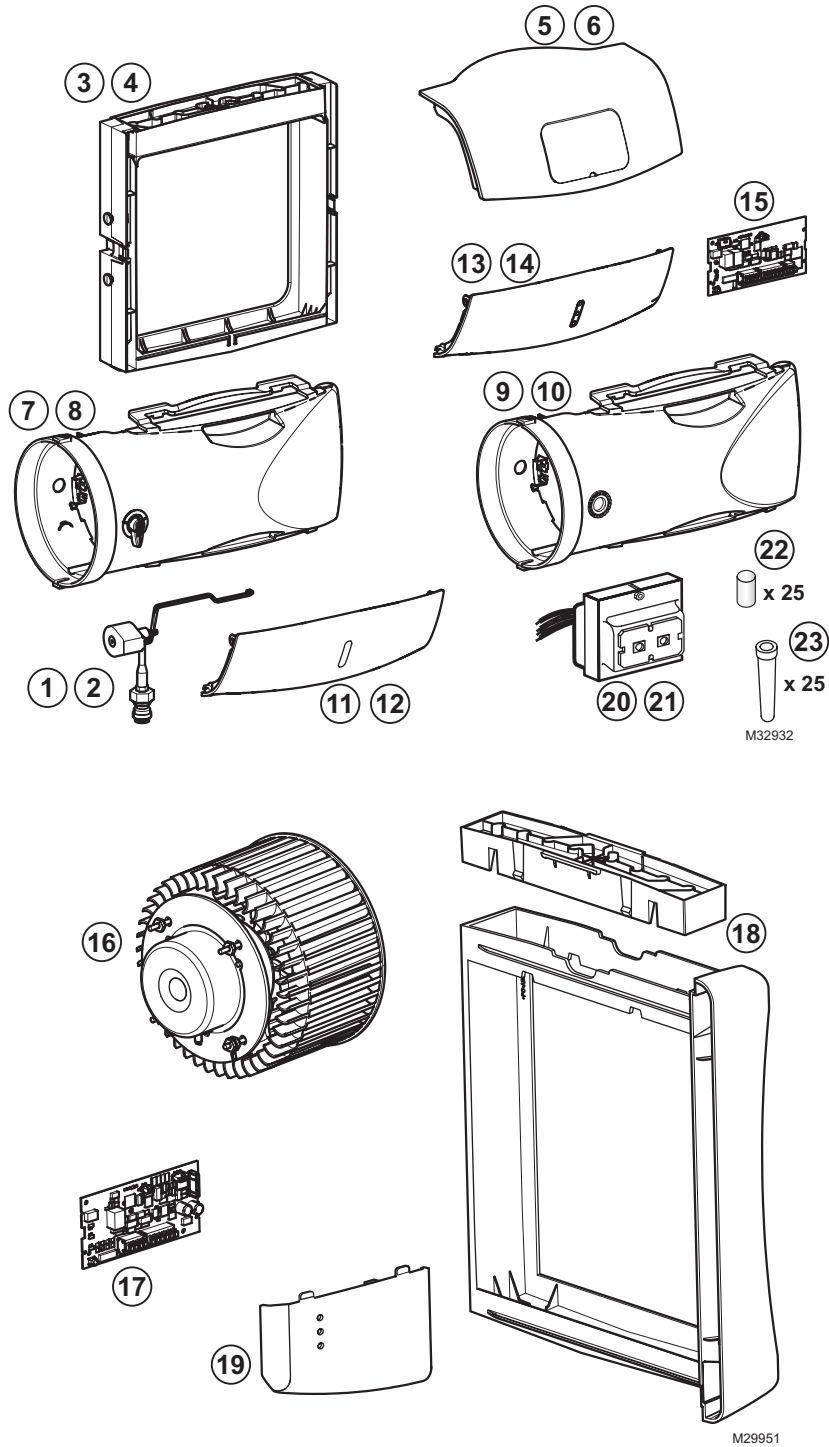
Option 2 : Plomberie vers un siphon dédié.



Option 4 : Plomberie vers un siphon d'évier.



D : Liste des pièces



Référence à la figure	Référence de pièce	Description de la pièce	Utilisez avec le modèle
N/A	HC26E1004	Grand tampon de recharge avec revêtement AgION	HE200, HE250, HE300
N/A	HC26A1008	Grand tampon de recharge standard	HE200, HE250, HE300
N/A	HC22E1003	Petit tampon de recharge avec revêtement AgION	HE100, HE150
N/A	HC22A1007	Petit tampon de recharge standard	HE100, HE150
N/A	32001616-001	Vanne à étrier	HE100, HE150, HE200, HE250, HE300
1	50041883-002	Électrovanne c.a.	HE100, HE200
2	50041883-001	Électrovanne c.c.	HE150, HE250, HE300
3	50041861-001	Cadre et plateau pour petits modèles à dérivation	HE100, HE150
4	50041861-002	Cadre et plateau pour grands modèles à dérivation	HE200, HE250
9	50041890-001	Petite gaine de dérivation avec registre automatique	HE150
10	50041890-002	Grande gaine de dérivation avec registre automatique	HE250
13	50052642-001	Couvercle inférieur pour petits modèles à dérivation avancés	HE150
15	50057547-002	Carte de circuit pour HE150	HE150
	50057547-003	Carte de circuit pour HE250	HE250
16	50045729-001	Soufflante et moteur avec isolateur	HE300
17	50057547-001	Carte de circuit pour HE300	HE300
18	50041919-001	Cadre et plateau pour modèles à ventilateur	HE300
20	32001652-001	Transformateur 10 V	HE100, HE200
21	50050349-001	Transformateur 15V	HE150, HE250
22	32318545-001	Qté 25 Adaptateur à connexion rapide pour humidificateur résidentiel	HE100, HE150, HE200, HE250, HE300
23	32001647-001	Qté 25 Filtre conique pour humidificateur résidentiel	HE100, HE150, HE200, HE250, HE300



Resideo Inc., 1985 Douglas Drive North,
Golden Valley, MN 55422

www.resideo.com 69-2413EF—19 M.S. Rev. 10-19 | Imprimé aux États-Unis

Ce produit est fabriqué par Resideo Technologies, Inc., Golden Valley, MN, 1-800-468-1502

© 2019 Resideo Technologies, Inc. La marque de commerce Honeywell Home est utilisée sous licence avec l'autorisation d'Honeywell International Inc.
Tous droits réservés.

Honeywell Home