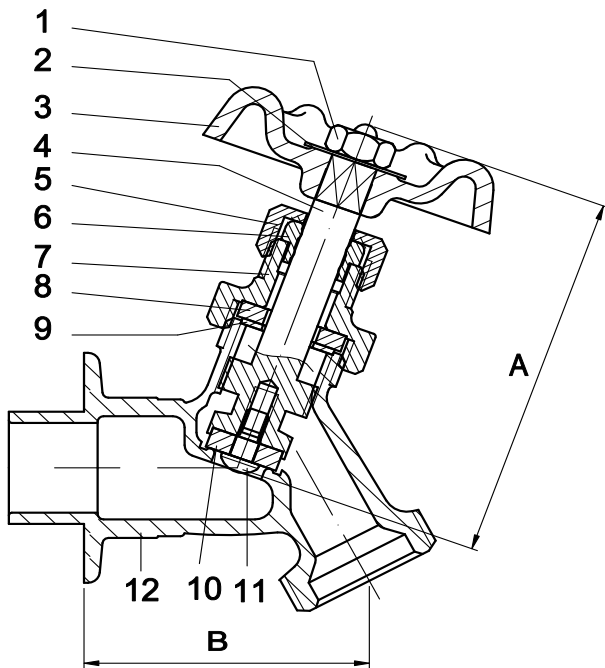


Heavy Pattern Sillcocks

Product Features

- Angled brass body
- 125 psi
- Operating temperature: 40-160°F
- 3/4" Male hose thread outlet



PF74DC

No.	Part Name	Material	QTY
1	Wheel Nut	V8	1
2	Name Plate	1050H18	1
3	Hand Wheel	FC20	1
4	Stem	B584-C857	1
5	Packing Nut	B16-C36000	1
6	Packing	NBR	1
7	Bonnet	B584-C857	1
8	Packing	NBR	1
9	Ring	304	1
10	Seat Packing	NBR	1
11	Packing Screw	C2600W	1
12	Body	B584-C857	1

SKU	DESCRIPTION	INLET CONNECTION	OUTLET CONNECTION	A (OPEN)		A (CLOSED)		B	
				in	mm	in	mm	in	mm
PF74DC	NP 1/2 BRS IPS ANG SILL	1/2 FIP NPT THREADED END	3/4 MALE NH THREADED END	2.81	71.37	2.56	65.02	1.9	48.26
PF74FC	NP 3/4 BRS IPS ANG SILL	3/4 FIP NPT THREADED END	3/4 MALE NH THREADED END	2.81	71.37	2.56	65.02	2.11	53.6

Not for use with potable water

Warranty and Codes

This PROFLO product carries a 1-year limited warranty.

WARNING: This product contains lead or lead compounds known to the State of California to cause cancer and birth defects and other reproductive harm. **Do not use in connection with drinking water.**
Wash hands after handling.

