

# LF 1/2" Straight Water Hammer Arrestor



## Product Features

- For single fixture use
- Helps to eliminate shock waves generated in piping systems by sudden on/off changes in flow
- Polypropylene Piston
- AA arrestors are suitable for 1-3 fixture units
- May be installed at any angle.
- To function more effectively, please install within 6 feet of the fixture the arrestor is servicing.
- Approved for installation with no access panels required.

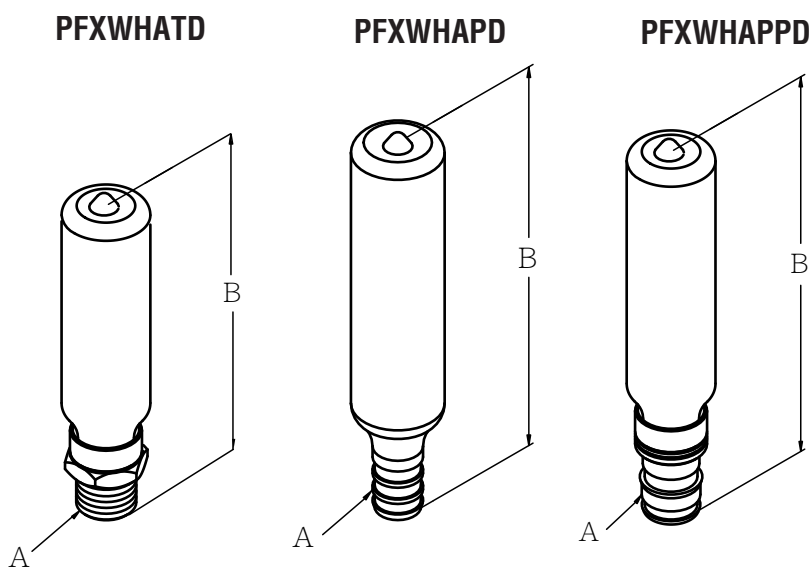


PFXWHATD

## Product Specifications

Temperature Range: 33°F to 180°F  
 Max. Working Pressure: 350psi  
 ASSE 1010-2004  
 IAMPO Listed (cUPC)  
 Certified to NSF 372 requirements

Model Numbers	A	B
PFXWHATD	1/2"-14NPT	3-5/8" (92.1mm)
PFXWHAPD	1/2" F1807 PEX	4-1/8" (104.8mm)
PFXWHAPPD	1/2" F1960 PEX	4-1/8" (104.8mm)



## Warranty and Codes

This PROFLO product carries a 1-year limited warranty.

