

KNOCKOUT CLOSET FLANGE

883, 884 series

TKO™

SPECIFICATION

Sioux Chief 883 or 884 Series TKO closet flanges shall be installed where necessary in drainage systems. Closet flange shall be fastened to floor and provide tabs or slots for fastening closet bolts to flange ring. Flange shall have a 3" Sch. 40 hub connection which conforms to ASTM D2665 (PVC) or D2661 (ABS) and also install inside most 4" pipe. Knockout cap must come out in one piece and shall be sized larger than drain opening, preventing it from falling down drain line. Closet flange shall hold a standard head test and be UPC listed.

MATERIALS

flange body: PVC, ABS

flange ring: PVC, ABS, 18 gauge 430 stainless steel

DIMENSIONS

	883 series	884 series
A: connection	3" Sch. 40 hub	3" Sch. 40 hub
B: overall height	2.20"	2.75"
C: overall diameter	6.94"	7.13"
D: screw centers	6.00"	6.00"
E: flange thickness	0.44"	0.38"
F: hub depth	1.53"	2.4375"
G: knockout diameter	4.00"	4.00"

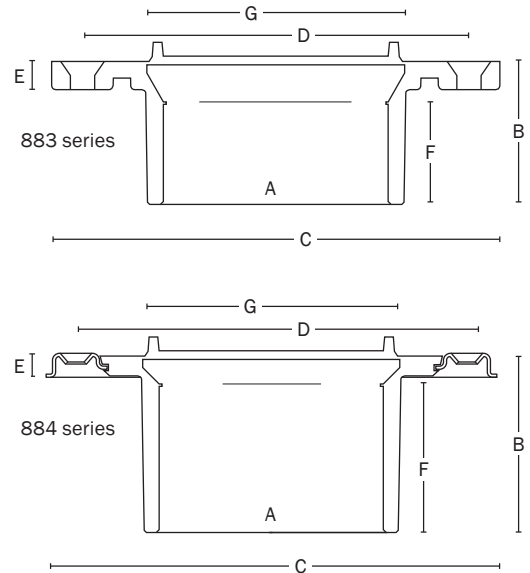
Item # Submitted _____
Job Name _____
Location _____
Engineer _____
Contractor _____
PO# _____ TAG _____



883-AT



884-PTM



ABS models only

Select Item Number

STANDARD ONE-PIECE DESIGN

- 883-PT 3" hub PVC one-piece knockout closet flange, flush fit
- 883-AT 3" hub ABS one-piece knockout closet flange, flush fit

STAINLESS STEEL SWIVEL RING

- 884-PTM 3" hub" PVC stainless steel ring knockout closet flange, flush fit
- 884-ATM 3" hub" ABS stainless steel ring knockout closet flange, flush fit