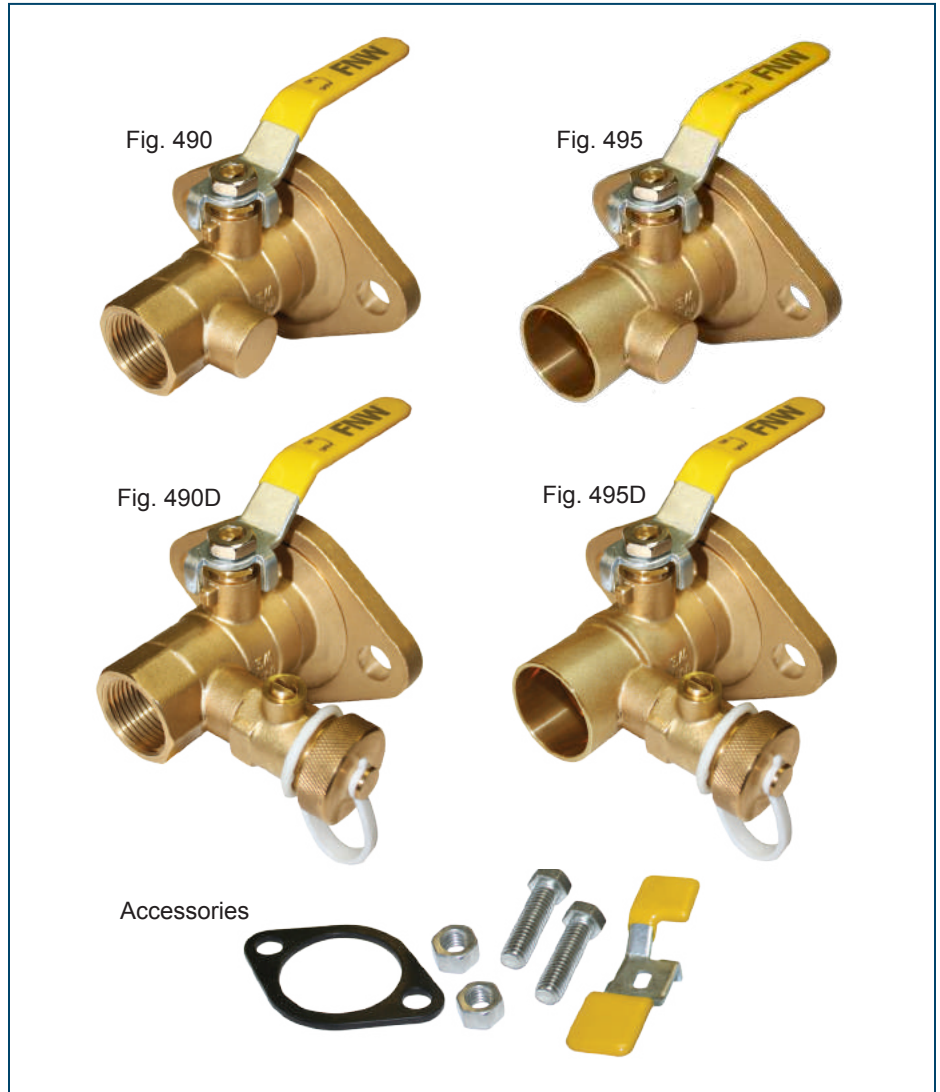


## 2-PC FULL PORT 600 WOG BALL VALVE PUMP ISOLATION WITH ROTATING FLANGE

### Features

- 600 WOG
- Full Port
- PTFE Seats
- Non-removable Rotating Flange
- Secondary O-ring Stem Seal
- Blow-out Proof Stem
- Adjustable Packing
- Stocked Configurations:
  - Fig. 490 - NPT End (3/4" TO 1-1/2")
  - Fig. 490D - NPT End w/ Drain (3/4" to 1-1/4")
  - Fig. 495 - Sweat End (3/4" to 1-1/2")
  - Fig. 495D - Sweat End w/ Drain (3/4" to 1-1/4")
- Drain Features:
  - Dual O-ring Stem Seal
  - Slotted Stem Operation (Reduces Accidental Openings)
  - Knurled Brass Cap
  - Resilient Cap Gasket
  - Cap Retainer Strap
- Each Valve Includes:
  - Optional Tee Handle (Except 1-1/2")
  - Resilient Flange Gasket
  - Flange Nuts & Bolts
- NOT FOR USE AT OR BELOW GROUND LEVEL



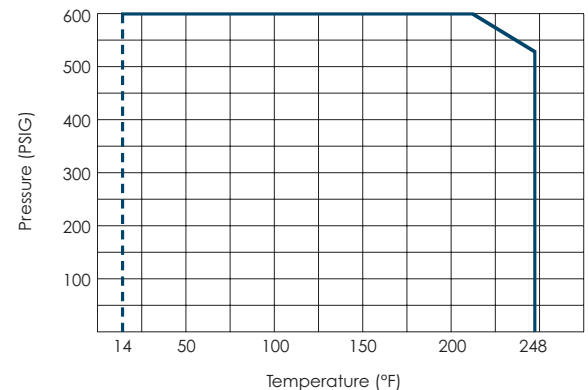
### Weight (lbs)

Size	490	490D	495	495D
3/4	1.47	1.66	1.40	1.57
1	1.89	2.06	1.73	1.92
1-1/4	2.41	2.59	2.17	2.37
1-1/2	3.00		2.82	

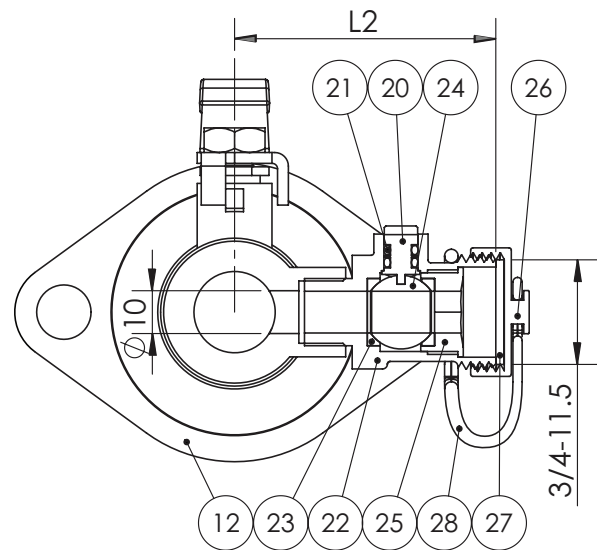
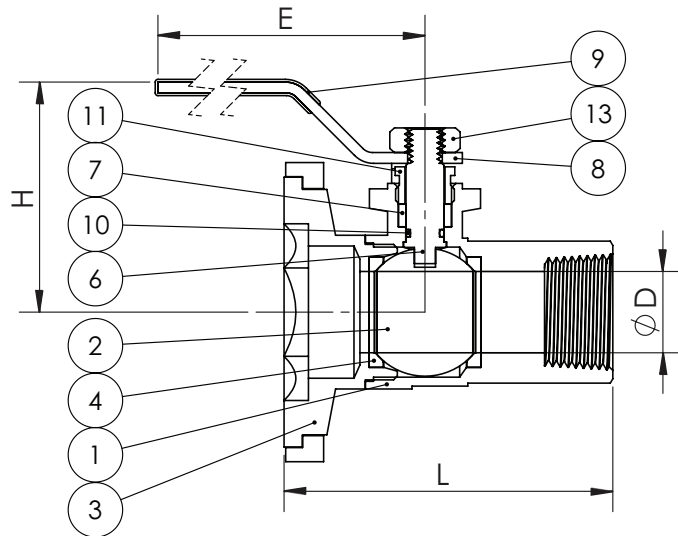
### Figure Number Matrix

FNW 490 D Size		
END	CONFIGURATION	SIZE CODE
NPT = 490	Standard Valve = Blank	3/4 = F
Sweat = 495	With Drain = D	1 = G
		1-1/4 = H
		1-1/2 = J

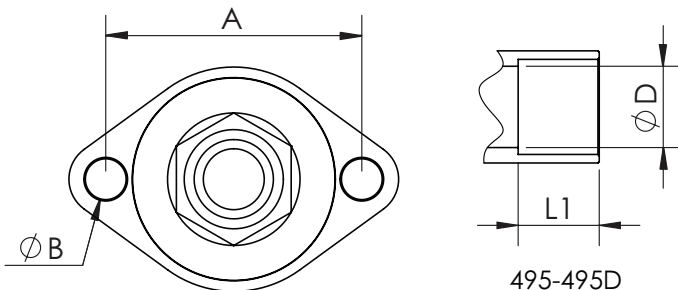
Replacement Gasket P/N = FNWPIVFGHJ



### 2-PC FULL PORT 600 WOG BALL VALVE PUMP ISOLATION WITH ROTATING FLANGE

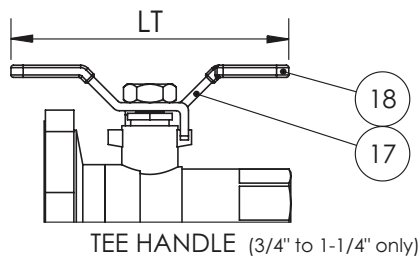


490D-495D (WITH DRAIN)



FLANGE VIEW

495-495D  
SWEAT END  
CONNECTION



TEE HANDLE (3/4" to 1-1/4" only)

#### Dimensions (inches)

Size	OD	L		E	LT	L1	L2	H	A	ØB
		NPT	Sweat			Sweat	Drain			
3/4	0.75	3.03	3.13	3.62	3.43	0.75	2.52	2.11	3.13	0.50
1	0.96	3.39	3.50	4.33	3.50	0.91	2.66	2.46	3.13	0.50
1-1/4	1.18	3.66	3.86	5.41	3.62	0.96	2.80	3.05	3.13	0.50
1-1/2	1.46	4.27	4.65	5.41		1.10		3.15	3.13	0.50

#### Standard Materials

Ref. No.	Description	Material	Qty	Remarks
1	Body	HPb59-3 Brass	1	-
2	Ball	HPb58-3 Brass	1	Chrome Pltd
3	Endcap	HPb59-3 Brass	1	-
4	Seat	PTFE	2	-
6	Stem	HPb58-3 Brass	1	-
7	Packing	PTFE	1	-
8	Handle	Steel	1	Zinc Plated
9	Handle Sleeve	Vinyl	1	-
10	Stem O-ring	EPDM	1	-
11	Packing Gland Nut	HPb58-3 Brass	1	-
12	Flange	HPb59-3 Brass	1	-
13	Handle Nut	Steel	1	Zinc Plated
14	Flange Bolt	Q235 Steel, ZP	2	Not Shown
15	Flange Nut	Q235 Steel, ZP	2	Not Shown
16	Flange Gasket	NBR	1	Not Shown
17	Tee Handle	Steel, Zinc Plated	1	Except 1-1/2"
18	Tee Handle Sleeve	Vinyl	1	Except 1-1/2"
20	Drain Stem	HPb58-3 Brass	1	With Drain
21	Drain Stem O-ring	EPDM	2	With Drain
22	Drain Body	HPb59-3 Brass	1	With Drain
23	Drain Seats	PTFE	2	With Drain
24	Drain Ball	HPb58-3 Brass	1	With Drain
25	Drain Carrier	HPb59-3 Brass	1	With Drain
26	Drain Cap	HPb58-3 Brass	1	With Drain
27	Drain Cap Gasket	EPDM	1	With Drain
28	Drain Cap Retainer	Plastic	1	With Drain

DOC: FNW490-49511 Ver. 04/2019

©2019 Ferguson Enterprises, LLC 0419 1253803

The FNW logo is a trademark of Ferguson Enterprises, LLC, PL Sourcing, PO Box 2778, Newport News, VA 23609

The contents of this publication are presented for information purposes only, and while effort has been made to ensure their accuracy, they are not to be construed as warranties or guarantees, expressed or implied, regarding the products or services described herein or their use or applicability. All sales are governed by our terms and conditions, which are available on request. We reserve the right to modify or improve the designs or specifications of our products at any time without notice. Always verify that you have the most recent product specifications or other documentation prior to the installation of these products.