

# ASCENT™ II

Macerating Toilet System

# Liberty Pumps®

A Family and Employee Owned Company

## Featuring RazorCut™ Technology IST™ Switch Sensing and CleanConnect™ Seal

The complete system for convenient addition of a bathroom in remodeling projects and additions. Powerful macerating system pumps waste to existing sewer lines in the building or home – \*up to 25' high and 150' horizontally. Accepts additional lavatory and tub/shower connections for a complete bathroom anywhere!

\*Horizontal distance can vary with amount of vertical pumping head. Consult factory for additional sizing and performance information.

### Performance

Powerful and quiet, the new RazorCut™ system with stainless steel blades provides superior cutting compared to other macerating toilets.

### Appearance

Clean, compact and modular. The new CleanConnect™ seal system eliminates unsightly rubber couplers for connecting the toilet to the macerator box. Rear exiting discharge and vent connectors conceal piping when exiting directly to a wall.

### Serviceability

Designed with a new removable access cover, the Ascent™ II is completely serviceable without removing the macerating unit from the toilet or disconnecting plumbing!

### Functionality

LEDs inform of power ON, alarm condition or low battery condition. Touchpad buttons allow manual by-pass operation of the unit and alarm silencing.

### Code Compliant

Toilet meets ADA standards, ANSI 117.1, 1.28 gallon per flush, EPA WaterSense Macerator meets ASME A112.3.4 and CSA B45.9.

# Ascent™ II

## Macerating Toilet System



Patent: See  
[www.LibertyPumps.com/patents](http://www.LibertyPumps.com/patents)



# innovate. evolve.

# Ascent™ II



Patent: See [www.LibertyPumps.com/patents](http://www.LibertyPumps.com/patents)

## Macerator Features

- RazorCut™ system features heavy-duty stainless steel blades
- Advance run technology assures macerator blades are running prior to debris entering the cutter basket
- IST™ switch technology provides for complete flush-out of debris in the cutter area reducing potential clogging and jamming
- Solid state electronic switch system provides intelligent data for system operation and eliminates older style mechanical or diaphragm switches
- Auxiliary inlets on each side of unit allow for connection of a lavatory and/or shower. White couplers. Accepts 1-1/2" or 2" pipe
- Built-in alarm with 9-volt battery backup and push-to-silence switch
- LEDs inform of power ON, alarm condition and low alarm battery
- Contoured tank design allows for wall molding to run behind macerator box!



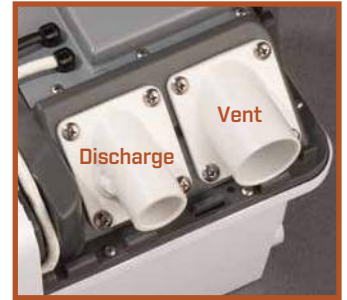
## Horizontal or Vertical Piping?

QuickFlip™ discharge and vent connectors allow for horizontal or vertical pipe connections. Simply unscrew the connector and rotate 180 degrees for optional connection.

Heavy-duty connectors are PVC solvent weld type

1" discharge with integral check valve (can be reduced to 3/4")

1-1/2" vent



**Cord management system** allows for hidden storage of excess power cord under the cover. No more cinched or twist-tied cable loops hanging outside the system! An 8' white power cord is provided. Cord can be routed under the cover to exit either the left or right side!



## Removable Service Panel



Integral heavy-duty rubber gaskets



Removable service panel on top cover provides easy access to system without removing plumbing or disconnecting the macerator from the toilet. No tools required.

RazorCut™ system is accessible for cleaning or blade replacement. Safety shut-off automatically disconnects electrical power when access cover is removed.

## IST™ Intelligent Switch Technology

The Ascent™ II features solid state switch technology. Strategically located sensors activate the pump and alarm eliminating the need for troublesome diaphragm or mechanical float switches.

### LED display:

Power ON • Alarm condition • Low battery condition

### Functional touchpad on top of unit features:

- **Push-to-Run override** – allows manual run of the macerator overriding the IST™ switch
- **Push-to-Silence switch** – silences the alarm





**CleanConnect™ Seal** eliminates unsightly rubber accordion style couplers and hose clamps for connection of toilet to the macerator box! Simply slide the macerator box with a robust integral seal onto the hub of the toilet. Macerator sits closer to toilet for a more professional appearance!

## Specifications

**Hp:** 1/2

**Volts:** 115

**Hz:** 60

**Amps:** 7.9

**RPM:** 3450

Thermally protected with automatic reset

**Alarm:** 115V with 9-volt battery backup (battery included)

**Tank Material:** ABS

**Cutter Blades:** Stainless Steel 440A hardened to Rockwell 54c

**Power Cord:** 18-3, 8', white, right-angle plug holds close to wall

**Maximum Fluid Temperature:** 104°F, 40°C



**Extension Pipe**

**#K001184 [sold separately]**

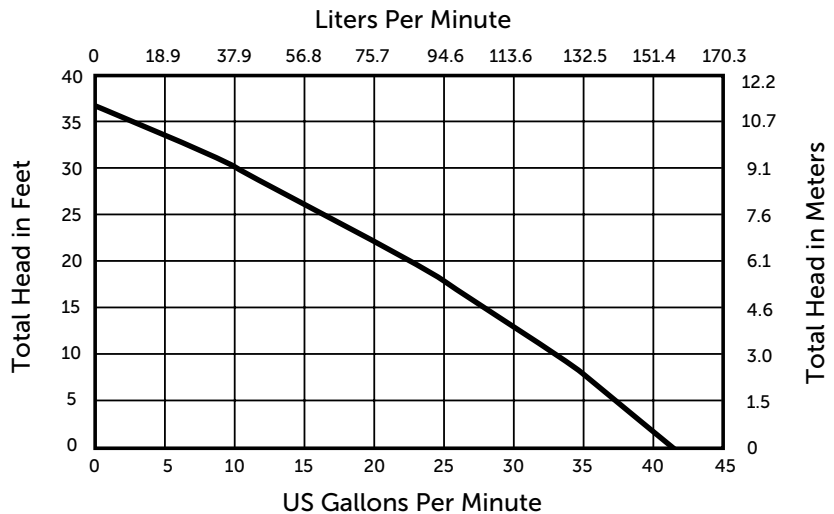
Includes decorative trim ring for a more professional looking installation. 18" length works with 2" x 4" or 2" x 6" wall.

## Toilet Features

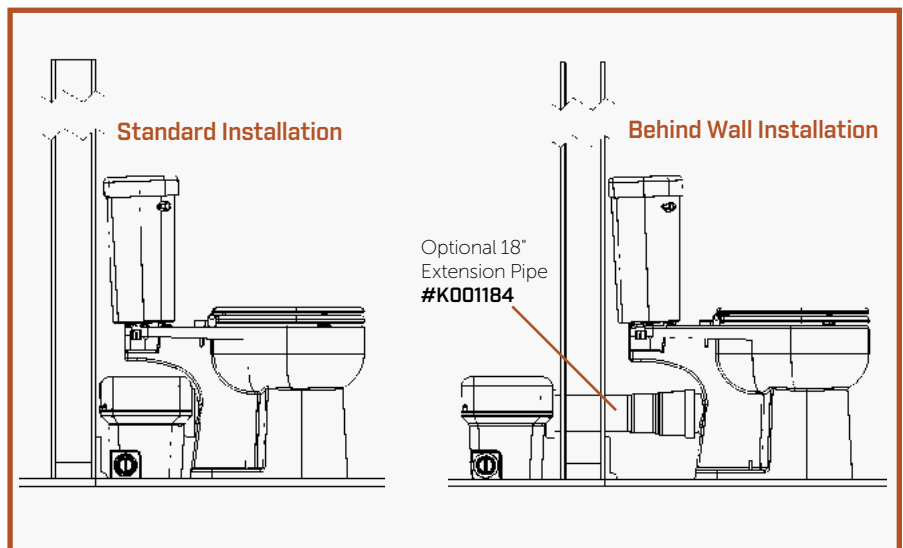
- Round or Elongated styles available
- ADA compliant
- HET (High Efficiency Toilet) 1.28 gpf (4.85 lpf)
- Improved flush design for one-flush operation
- White finish
- Installed flush valve kit
- 2-3/4" Trap
- Slow-close toilet seat included with complete system
- Insulated tank eliminates sweating in extreme climates



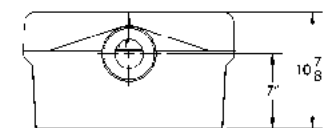
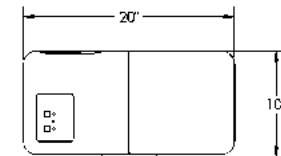
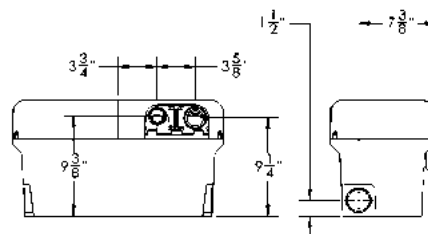
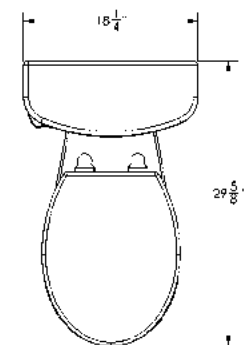
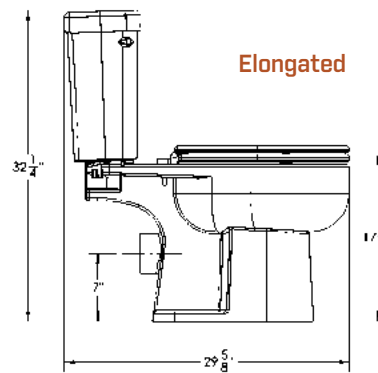
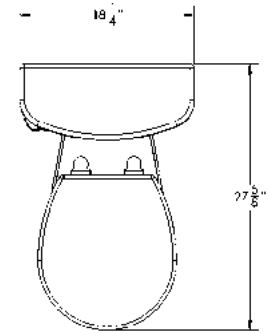
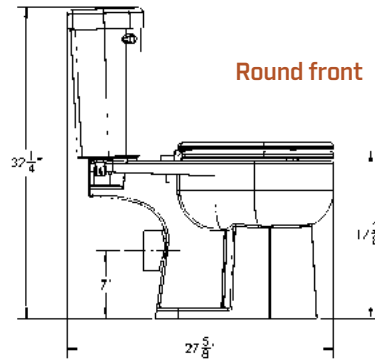
## Performance



**Note:** Maximum shut-off head is 36'. Usable maximum head - assuming 150' of lateral discharge through 1" pipe is 25'. Consult factory for proper sizing and calculation of friction loss.



## Dimensional Data



MODEL	DESCRIPTION	WEIGHT
ASCENTII-ESW	Complete system: macerator and elongated toilet - white	121 lbs
ASCENTII-RSW	Complete system: macerator and round front toilet - white	115 lbs
ASCENTII-MUW	Macerator unit only	22 lbs
ASCENTII-TW	Toilet tank and lid, insulated with flush valve kit - white	34 lbs
ASCENTII-EW	Toilet bowl, elongated - white (bowl only)	49 lbs
ASCENTII-RW	Toilet bowl, round front - white (bowl only)	45 lbs
K001184	Extension pipe, 4" x 18" with integral seal and trim ring	3 lbs