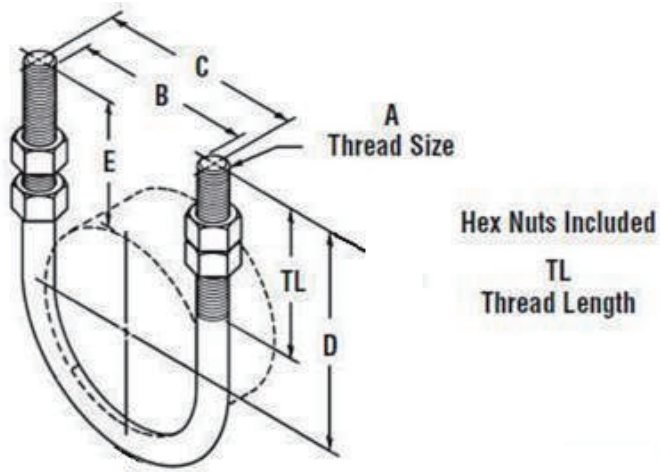


FIGURE 7610 - Standard U-Bolt w/4 Hex Nuts

- Includes 4 Finished Hex Nuts
- Available In:
 - Plain Carbon Steel
 - Zinc Coated Carbon Steel
 - 304 Stainless Steel
- Design: MSS SP-58 Type 24 Federal Specification WW-H-17E Type 24
- Selection & Application: MSS SP-69 Type 24



Pipe Size		Thread Size	Thread Length TL		B		C		Tangent D		E		Approx. Wt./100 lbs. (kg)	Static Load Lbs	
Nominal Size	mm		inch	mm	inch	mm	inch	mm	inch	mm	inch	mm			
1/2"	15	1/4"-20	2 1/8"	54.0	15/16"	23.8	1 3/16"	30.2	2 3/4"	69.8	2 5/16"	58.7	8.58	3.9	400
3/4"	20	1/4"-20	2 1/8"	54.0	1 1/8"	28.6	1 3/8"	34.9	2 3/4"	69.8	2 7/32"	56.3	9.46	4.3	400
1"	25	1/4"-20	2 1/8"	54.0	1 3/8"	34.9	1 5/8"	41.3	2 3/4"	69.8	2 3/32"	53.2	10.12	4.6	400
1 1/4"	32	3/8"-16	2 1/8"	54.0	1 11/16"	42.9	2 3/32"	53.2	2 7/8"	73	2 1/32"	51.6	26.62	12.1	1000
1 1/2"	40	3/8"-16	2 1/2"	63.5	2"	50.8	2 3/8"	60.3	3"	76.2	2 1/16"	52.4	27.5	12.5	1000
2"	50	3/8"-16	2 1/2"	63.5	2 7/16"	61.9	2 13/16"	71.4	3 1/4"	82.5	2 1/16"	52.4	31.02	14.1	1000
2-1/2"	65	1/2"-13	3"	76.2	2 15/16"	74.6	3 7/16"	87.3	3 3/4"	95.2	2 5/16"	58.7	70.4	32	2000
3"	80	1/2"-13	3"	76.2	3 9/16"	90.5	4 1/16"	103.2	4"	101.6	2 1/4"	57.1	75.9	34.5	2000
4"	100	1/2"-13	3"	76.2	4 9/16"	115.9	5 1/16"	128.6	4 1/2"	114.3	2 1/4"	57.1	87.78	39.9	2000
5"	125	1/2"-13	3"	76.2	5 21/32"	143.6	6 5/32"	156.3	5"	127	2 7/32"	56.3	98.34	44.7	2000
6"	150	5/8"-11	3 3/4"	95.2	6 3/4"	171.4	7 3/8"	187.3	6 1/8"	155.6	2 13/16"	71.4	191.4	87	3100
8"	200	5/8"-11	3 3/4"	95.2	8 3/4"	222.2	9 3/8"	238.1	7 1/8"	181	2 13/16"	71.4	226.82	103.1	3100
10"	250	3/4"-10	4"	101.6	10 7/8"	276.2	11 5/8"	295.3	8 3/8"	212.7	3"	76.2	397.54	180.7	4800
12"	300	7/8"-9	4 1/4"	107.9	12 7/8"	327.0	13 3/4"	349.2	9 5/8"	244.5	3 1/4"	82.5	661	299.8	6650
14"	350	7/8"-9	4 1/4"	107.9	14 1/8"	358.8	15"	381	10 1/4"	260.3	3 1/4"	82.5	701.8	319	6650
16"	400	7/8"-9	4 1/4"	107.9	16 1/8"	409.6	17"	431.8	11 1/4"	285.7	3 1/4"	82.5	753.5	342.5	6650
18"	450	1"-8	4 3/4"	120.6	18 1/8"	460.4	19 1/8"	485.8	12 5/8"	320.7	3 5/8"	92.1	1344	609.6	8700
20"	500	1"-8	4 3/4"	120.6	20 1/8"	511.2	21 1/8"	536.6	13 5/8"	346.1	3 5/8"	92.1	1217.7	553.5	8700
24"	600	1"-8	4 3/4"	120.6	24 1/8"	612.8	25 1/8"	638.2	15 5/8"	396.9	3 5/8"	92.1	1687	765.2	8700
30"	700	1"-8	4 3/4"	120.6	30 1/8"	765.2	31 1/8"	790.6	18 5/8"	473.1	3 5/8"	92.1	2030	920.8	8700