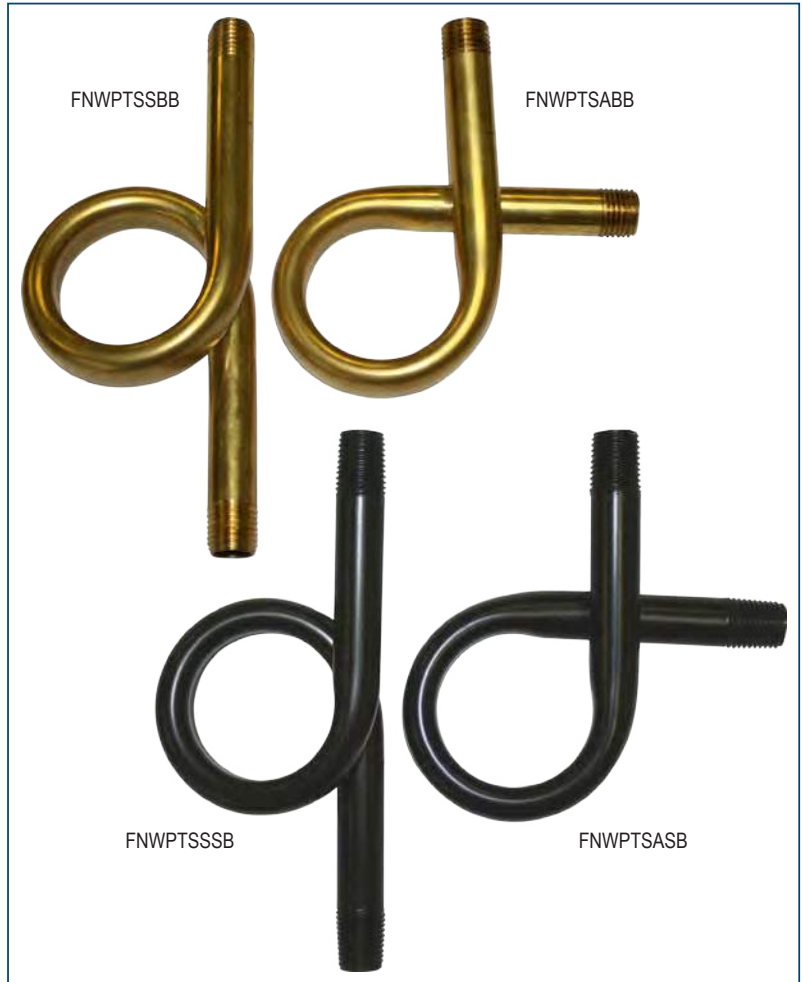


## PIG TAIL SYPHON

Pigtail syphons are used to protect pressure gauges from the effects of hot pressure media such as steam and also to reduce the effects of rapid pressure surges. Syphons should be filled with water or any other suitable separating liquid prior to installation.

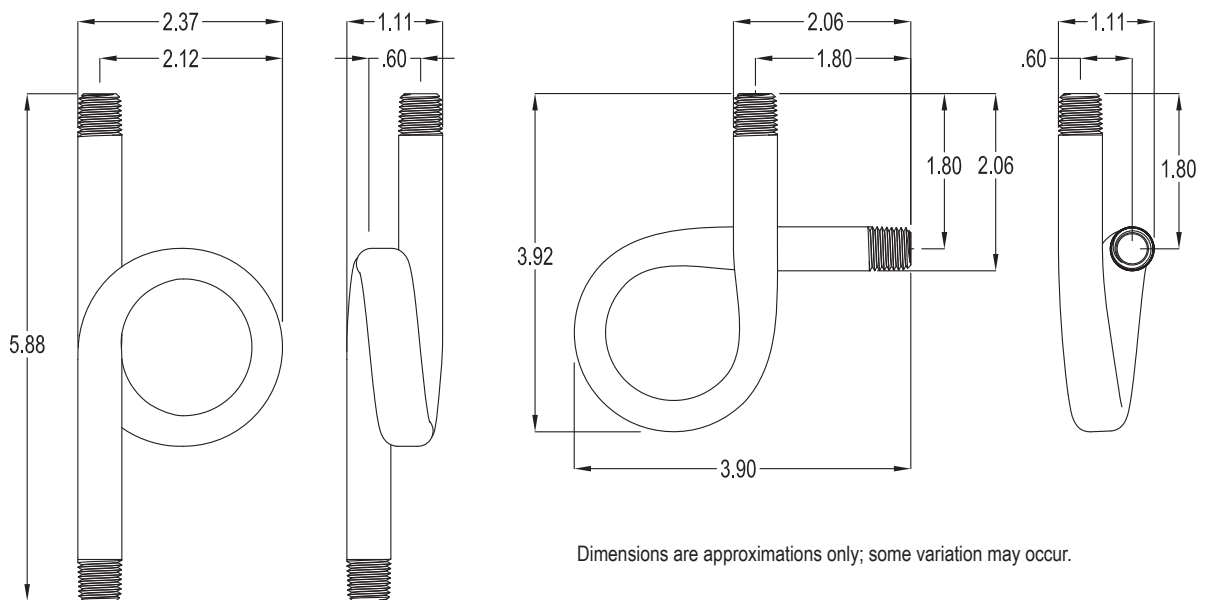
**Features:**

- 600 PSI Maximum
- 750°F Maximum
- Available in Straight and Angled Configuration
- Material Options:
  - C26000 Brass
  - ASTM A53 Steel
- Steel Syphons are Epoxy Coated by Electrodeposition



**Part Number**

Style	Material	Size	Part Number
Straight	Brass	1/4" NPT	FNWPTSSBB
Straight	Steel	1/4" NPT	FNWPTSSSB
Angle	Brass	1/4" NPT	FNWPTSABB
Angle	Steel	1/4" NPT	FNWPTSASB



Dimensions are approximations only; some variation may occur.

## PIG TAIL SYPHON

DOC: FNWPTS12 Ver. 2/2012

© 2012 - FNW. All rights reserved.

The FNW logo is a trademark of Ferguson Enterprises, Inc., PL Sourcing, PO Box 2778, Newport News, VA 23609

The contents of this publication are presented for information purposes only, and while effort has been made to ensure their accuracy, they are not to be construed as warranties or guarantees, expressed or implied, regarding the products or services described herein or their use or applicability. All sales are governed by our terms and conditions, which are available on request. We reserve the right to modify or improve the designs or specifications of our products at any time without notice. Always verify that you have the most recent product specifications or other documentation prior to the installation of these products.