

PF127033 / PF127044

Semi-Cast Trap Primer Tailpiece



PF127033



PF127044

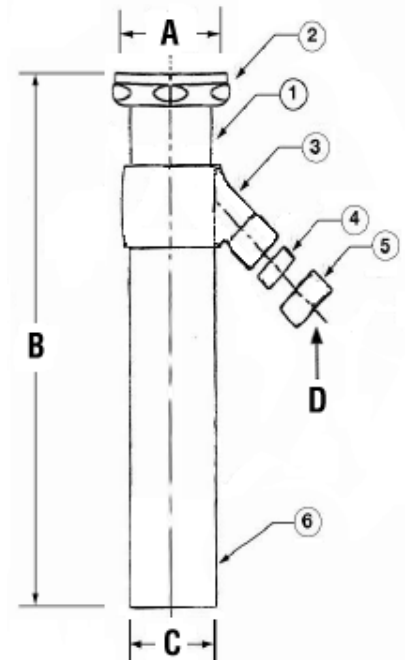
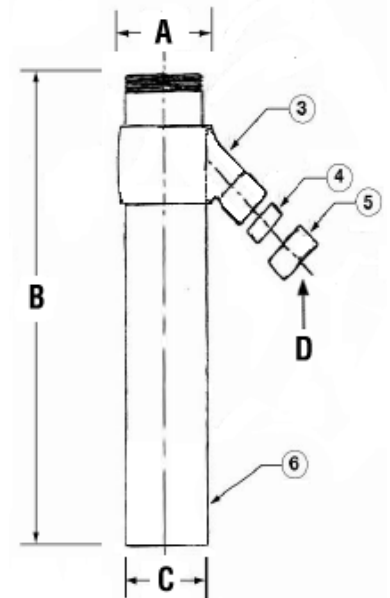
Product Features

- Semi-Cast Trap Primer Tailpiece
- 17 Gauge tubular chrome plated brass tube
- For Installation under Sink / Lavatory
- Replenishes water in floor drain traps to prevent the escape of sewer gases
- 5/8" OD Compression branch connection
- Complies with ASME A112.18.2-2011/CSA B125.2-11

| ✓ For Submittal | Model Number | Description | Size | Finish |
|-----------------|--------------|---------------------------------|------|--------|
| | PF127033 | Semi-Cast Trap Primer Tailpiece | 1¼" | CP |
| | PF127044 | Semi-Cast Trap Primer Tailpiece | 1½" | CP |

| | Parts | PF127033 | PF127044 |
|---|-----------|---------------------|---------------------|
| A | Inlet | 1¼" Fine Thread | 1½" Direct Connect |
| B | Height | 6" | 8" |
| C | Outlet | 1¼" Slip fit | 1½" Slip fit |
| D | Tailpiece | 5/8" OD Compression | 5/8" OD Compression |

| | Parts Name | PF127033 | PF127044 |
|---|------------------|----------|----------|
| 1 | Sink Tailpiece | N/A | Brass |
| 2 | Slip Nut | N/A | Brass |
| 3 | Body | Brass | Brass |
| 4 | Compression Ring | Brass | Brass |
| 5 | Compression Nut | Brass | Brass |
| 6 | Tube | Brass | Brass |



Warranty and Codes

This PROFLO product carries a 1-year limited warranty.
 This product meets ASME A112.18.2-2011/CSA B125.2-11

