

PF1815PT

High Efficiency Urinal Washout Rear Outlet



Product Features

- Vitreous china
- High efficiency urinal (HEU)
- 1/4 Stall Washout
- Flush volume 0.125 gpf/0.47 lpf (one pint) to 1.0 gpf/3.8 lpf
- 3/4" top inlet spud
- 2" NPT inside thread outlet
- Integral flushing rim
- Integral trap
- Hanging bracket included
- Flush valve not included



PF1815PTWH

Codes and Standards

- ADA
- IAPMO/UPC
- ASME A112.19.2
- CSA
- EPA WaterSense

*WaterSense compliant when used with a 0.125 gpf or 0.5 gpf WaterSense-compliant flushometer

Technical Information

Model	Model Description
Configuration	1/4 Stall washout urinal, rear outlet
Gallons per flush	(.125 gpf/.47 lpf)
Spud size	3/4" top
Passageway	2" female outlet

Specified Model

Model	Model Description	Color Finishes
PF1815PTWH	1/4 Stall Washout 3/4 top spud	○ White (WH)



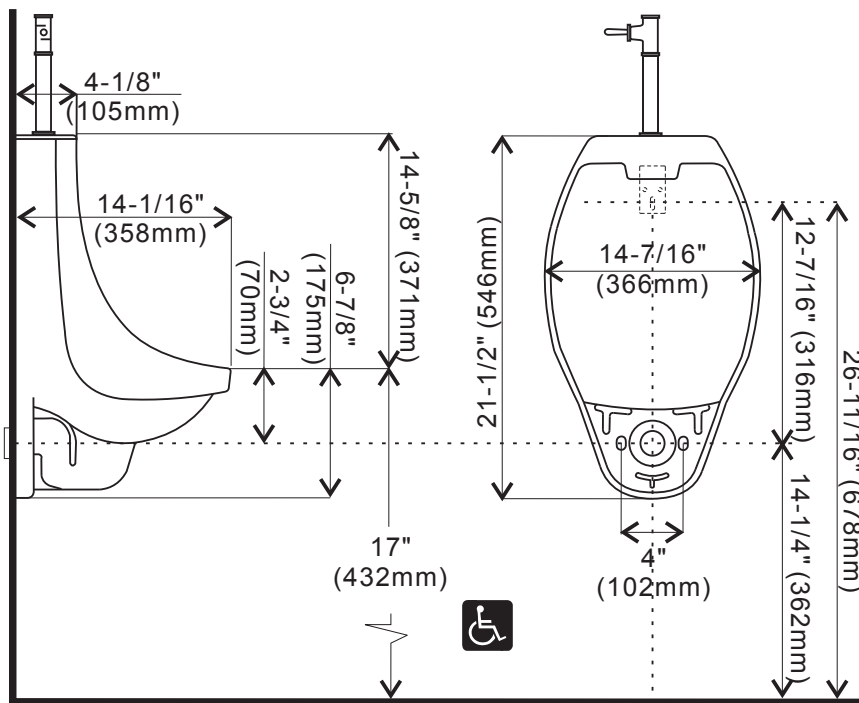
PF1815PT

High Efficiency Urinal Washout Rear Outlet

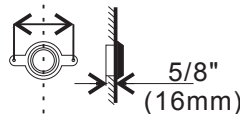


Product Specifications

1/4 Stall Washout urinal shall be made of vitreous china with a 3/4" top spud. Urinal shall include inlet and outlet spuds and brackets. Urinal shall use (.125 gpf/.47 lpf) Urinal shall be PROFLO model PF1815PT. Recommended working pressure between 25 and 80 psi. Provide suitable reinforcement for wall support.



All dimensions and specifications are nominal and may vary: Dimensions of 8" and greater have a tolerances of +3%. Dimensions less than 8" have a tolerances of +5%.



Warranty and Codes

This product comes complete with installation, operating, care and maintenance instructions. All PROFLO fixtures carry a 1- year limited warranty. This product meets or exceeds ASME/ANSI A112.19.2M. In an effort to continually improve our products, we will make design changes from time to time. We reserve the right to ship newly designed product to fill any order unless we agree in writing to do otherwise. Meets the Americans Disabilities Act guidelines and ANSI A11.17.1 when installed to 17" height from finished floor.

