

Specifications

Amador Series

Dual Flush Two-Piece Toilet



Product Features

- Choose either 1.6 or 1.1 gallons per flush
- HET, High-Efficiency Toilet
- Two-piece vitreous china
- 2" fully glazed trapway
- 6" x 5-1/4" (RF)/7" x 6" (EL) water surface
- Anti-siphon fill valve
- Gravity fed, box rim
- Close coupled tank with cover
- Quick connect, two-bolt tank-to-bowl installation
- 2" flush valve
- PF9312 tank comes standard with a color matching trip lever
- PF9312P tank comes standard with chrome push button actuator
- Sanitary bar on all bowls
- Seat and supply not included
- Available round front, elongated and ADA
- EPA WaterSense certified
- Meets ASME/ANSI A112.19.2M
- 1,000G MaP rated

Model Numbers

PF1400TWH*	1.1-1.6 12 RI RF UNIV BOWL WHIT
PF1401TWH*	1.1-1.6 12 RI EL UNIV BOWL WHIT
PF1402TWH**	1.1-1.6 CH EL UNIV BOWL WHIT
PF1403TWH**	1.1-1.6 12 RI ADA UNIV BOWL WHIT
PF9312WH	Tank HET Dual Flush 1.1/1.6 gpf, 12" rough-in, white
PF9310WH	Tank HET Dual Flush 1.1/1.6 gpf, 10" rough-in, white
PF9312PWH	Tank HET Dual Flush 1.1/1.6 gpf, push button, white
PF9312RWH	Tank HET Dual Flush 1.1/1.6 gpf, right hand, white

*Complies with CSA B651

**Complies with ADA & CSA B651 

Available Parts

PF9312FLPK	Fill valve assembly
PF9312FVPK	Flush valve assembly for PF9312WH (includes chrome trip lever)
PFTGPK	Tank gasket w/bolts
PF9312PFVPK	Flush valve assembly for PF9312PWH
PF9312PBCP	Push button actuator for PF9312PWH, chrome
PF5112LIDWH	Tank lid white

Detailed Use Instructions

The Dual Flush enables a 1.1 gallon flush by pushing the small button or pulling the flush lever back for liquid or light waste. The 1.6 gallon flush can be utilized by pushing the large button or pulling forward on the trip lever to provide a strong flushing action for bulk or solid waste.



PF1401T/PF9312



PF1401T/PF9312P

Warranty and Codes

This product comes complete with installation, operating, care and maintenance instructions. All PROFLO fixtures carry a lifetime limited warranty on the vitreous china and a 5-year limited warranty on the fittings. This product meets or exceeds ASME/ANSI A112.19.2M. In an effort to continually improve our products, we will make design changes from time to time. We reserve the right to ship newly designed product to fill any order unless we agree in writing to do otherwise.



Specifications

Amador Series

Dual Flush Two-Piece Toilet

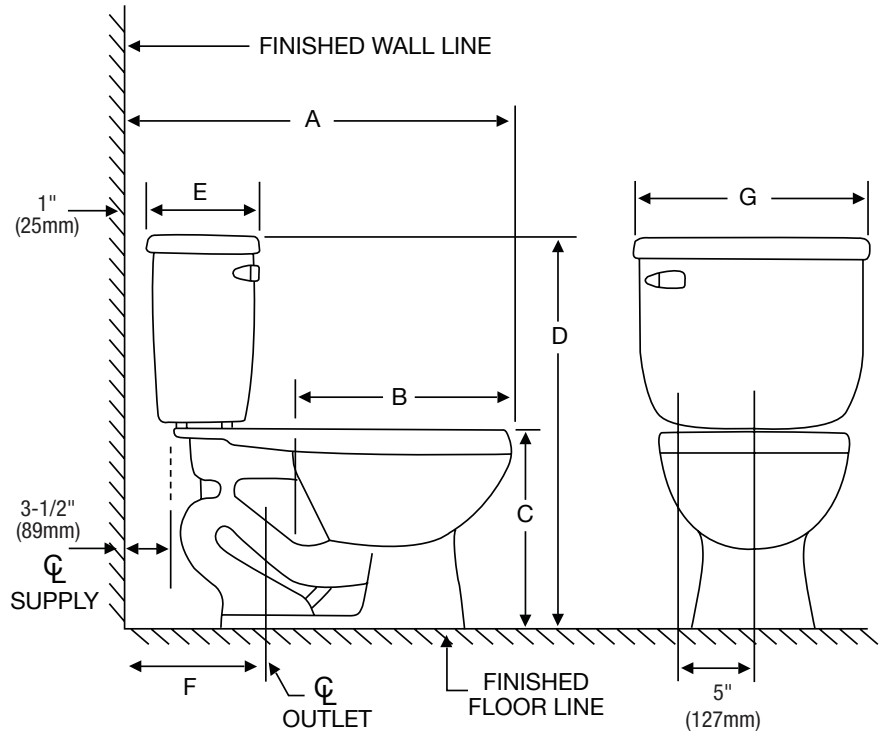


Certifications

Meets strict flushing performance guidelines established by the EPA (Environmental Protection Agency) WaterSense program. Leadership in Energy and Environmental Design (LEED) Compliant. Los Angeles Department of Water and Power (LADWP) Compliant.

	PF9310/ 1400T	PF9310/ 1401T	PF9310/ 1402T	PF9310/ 1403T
A	26-1/2"	28-1/2"	28-1/2"	28-1/2"
B	16-1/2"	18-1/2"	18-1/2"	18-1/2"
C	15"	15"	16-1/4"	17"
D	29-3/4"	29-3/4"	31"	31-3/4"
E	6-1/4"	6-1/4"	6-1/4"	6-1/4"
F	10"	10"	10"	10"
G	17-1/2"	17-1/2"	17-1/2"	17-1/2"

	PF9312/ 1400T	PF9312/ 1401T	PF9312/ 1402T	PF9312/ 1403T
A	28-1/2"	30-1/2"	30-1/2"	30-1/2"
B	16-1/2"	18-1/2"	18-1/2"	18-1/2"
C	15"	15"	16-1/4"	17"
D	29-3/4"	29-3/4"	31"	31-3/4"
E	8-1/2"	8-1/2"	8-1/2"	8-1/2"
F	12"	12"	12"	12"
G	15-3/4"	15-3/4"	15-3/4"	15-3/4"



Footprint

	RF	EL	CH EL	ADA
	PF1400T	PF1401T	PF1402T	PF1403T
H	18-1/2"	18-1/2"	18-1/2"	18-1/2"
I	6"	6"	6"	6"
J	6-1/8"	6-1/2"	6-1/2"	6-1/2"
K	9"	9"	9"	9"

