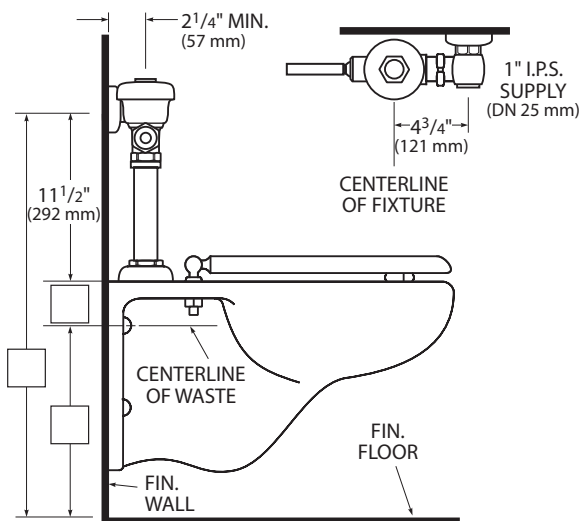


Regal® 110/111 XL Flushometer



Listed by I.A.P.M.O.



Models Available

- Regal 110 XL
- Regal 110 XL-TP Includes Trap Primer
- Regal 110 XL-U 1 1/4" Flush Connection
- Regal 110 XL-YO Bumper on Angle Stop
- Regal 110 XL-XV Less Flush Connection
- Regal 111 XL
- Regal 111 XL-TP Includes Trap Primer
- Regal 111 XL-U 1 1/4" Flush Connection
- Regal 111 XL-YO Bumper on Angle Stop
- Regal 111 XL-XV Less Flush Connection

Description

Exposed Water Closet Flushometer, for floor mounted or wall hung top spud bowls.

Flush Cycle

- Model 110 Water Saver (3.5 gpf/13.2 Lpf)
- Model 111-1.6 Low Consumption (1.6 gpf/6.0 Lpf)

Specifications

Quiet, Exposed, Diaphragm Type, Chrome Plated Closet Flushometer with the following features:

- ADA Compliant Metal Oscillating Non-Hold-Open Handle
- 1" I.P.S. Screwdriver Bak-Chek™ Angle Stop
- Control Stop Plug
- Sweat Solder Adapter with Cover Tube
- Adjustable Tailpiece
- Cast Wall Flange with Set Screw
- Vacuum Breaker Flush Connection
- Spud Coupling and Spud Flange for 1 1/2" Top Spud
- High Copper, Low Zinc Brass Castings for Dezincification Resistance
- Non-Hold-Open Handle and No External Volume Adjustment to Ensure Water Conservation
- Low Consumption flush accuracy controlled by Para-Flo™ Technology
- Handle Packing, Stop Seat and Vacuum Breaker to be Molded from PERMEX™ Rubber Compound for Chloramine Resistance

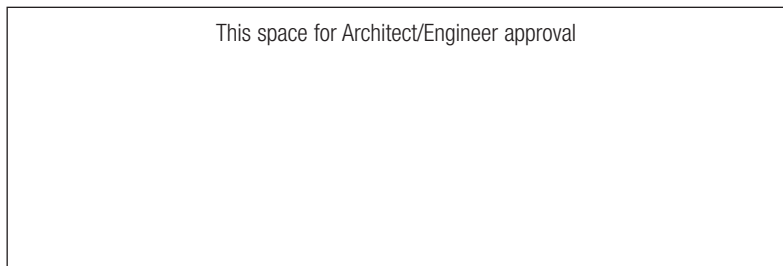
Valve Body, Cover, Tailpiece and Control Stop shall be in conformance with ASTM Alloy Classification for Semi-Red Brass. Valve shall be in compliance to the applicable sections of ASSE 1037.

Accessories

See Accessories Section of the Sloan catalog for available accessories

Fixtures

Consult Sloan for Sloan brand matching fixture options.



The information contained in this document is subject to change without notice.



SLOAN VALVE COMPANY • 10500 SEYMOUR AVE. • FRANKLIN PARK, IL 60131
Ph: 1-800-9-VALVE-9 or 1-847-671-4300 • Fax: 1-800-447-8329 or 1-847-671-4380
<http://www.sloanvalve.com>