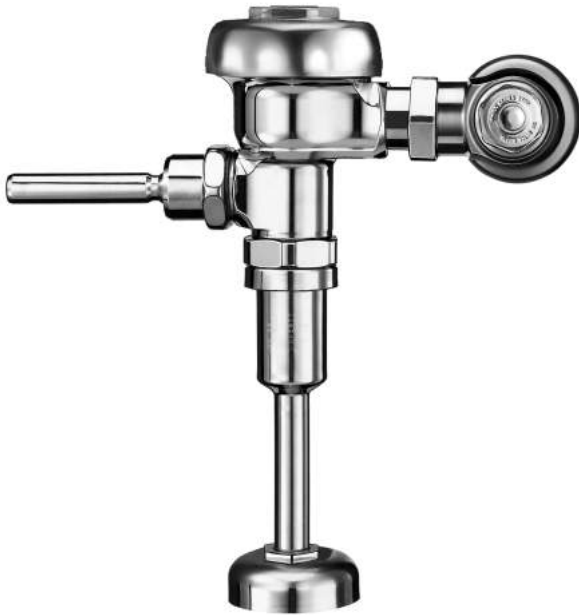


Regal® 186 XL



Flushometer



- ▶ **Models Available**
 - Regal 186 XL
 - Regal 186 XL-XVW Less Flush Connection

- ▶ **Description**

Exposed Urinal Flushometer, for 3/4" top spud urinals.

- ▶ **Flush Cycle**
 - Model 186-1.0 Low Consumption (1.0 gpf/3.8 Lpf)
 - Model 186 Water Saver (1.5 gpf/5.7 Lpf)

- ▶ **Specifications**

Quiet, Exposed, Diaphragm Type, Chrome Plated Urinal Flushometer with the following features:

 - ADA Compliant Metal Oscillating Non-Hold-Open Handle
 - 3/4" I.P.S. Screwdriver Bak-Chek™ Angle Stop
 - Control Stop Plug
 - Sweat Solder Adapter with Cover Tube
 - Adjustable Tailpiece
 - Cast Wall Flange with Set Screw
 - Vacuum Breaker Flush Connection
 - Spud Coupling Wall and Spud Flange for 3/4" Top Spud
 - High Copper, Low Zinc Brass Castings for Dezincification Resistance
 - Non-Hold-Open Handle and No External Volume Adjustment to Ensure Water Conservation
 - Low Consumption flush accuracy controlled by Para-Flo™ Technology
 - Handle Packing, Stop Seat and Vacuum Breaker to be Molded from PERMEX™ Rubber Compound for Chloramine Resistance

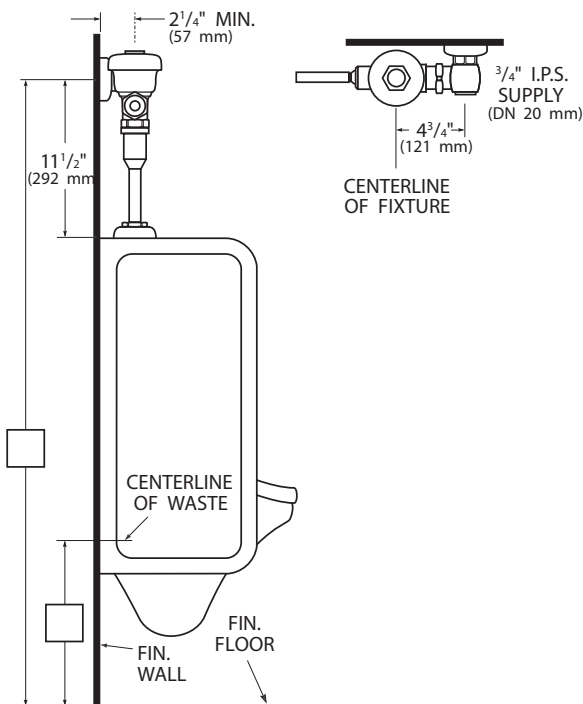
Valve Body, Cover, Tailpiece and Control Stop shall be in conformance with ASTM Alloy Classification for Semi-Red Brass. Valve shall be in compliance to the applicable sections of ASSE 1037.

- ▶ **Accessories**

See Accessories Section of the Sloan catalog for details on these and other Flushometer variations.

- ▶ **Fixtures**

Consult Sloan for Sloan brand matching fixture options.



Listed by I.A.P.M.O.



This space for Architect/Engineer approval

The information contained in this document is subject to change without notice.

SLOAN

SLOAN VALVE COMPANY • 10500 SEYMOUR AVE. • FRANKLIN PARK, IL 60131

Ph: 1-800-9-VALVE-9 or 1-847-671-4300 • Fax: 1-800-447-8329 or 1-847-671-4380

<http://www.sloanvalve.com>