

WASHBROOK® FloWise® UNIVERSAL URINAL

- Vitreous china
- Ultra High Efficiency, Low Consumption. Operates in the range of 0.125gpf to 1.0gpf (0.5 Lpf to 3.8 Lpf)
- Flushing rim
- Elongated 14" rim from finished wall
- Washout flush action
- Extended sides for privacy
- 3/4" inlet spud
- Outlet connection threaded 2" inside (NPTF)
- 2 wall hangers
- Fixture only
- Strainer included
- Meets ASME flush requirements at 0.125 to 1.0 gpf

- 6590.001** Universal Top spud
- 6515.001** Universal Back spud

Nominal Dimensions:

360 x 480 x 664mm
 (14-1/8" x 18-7/8" x 26-1/8")

Recommended working pressure – between
 20 psi at valve when flushing and 80 psi static

Compliance Certifications -

Meets or Exceeds the Following Specifications:

- ASME A112.19.2-2008/CSA B45.1-08 for Vitreous China Fixtures



SEE REVERSE FOR ROUGHING-IN DIMENSIONS

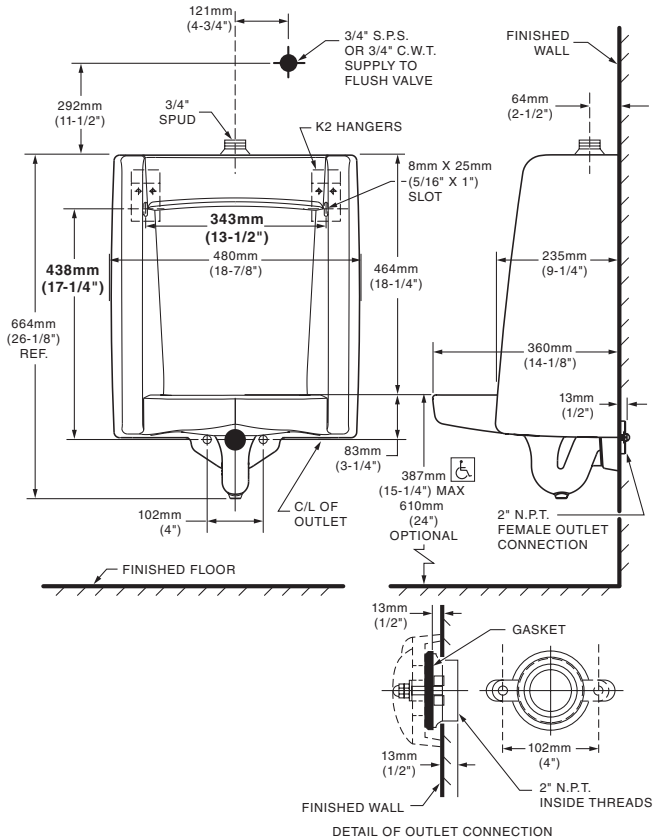
To Be Specified:

- Color: White
- Flush Valve:
 - 1.0 gpf Flush Valve: Sensor-Operated:
 - American Standard Selectronic® #6063.101.002 DC Power (Top Spud)
 - American Standard Selectronic® #6062.101.002 AC Power (Back Spud)
 - 1.0 gpf Flush Valve: Manual-Operated:
 - American Standard # 6045.101.002
 - 0.5 gpf Flush Valve: Sensor-Operated:
 - American Standard Selectronic® #6063.051.002 DC Power (Top Spud)
 - American Standard Selectronic® #6062.051.002 AC Power (Back Spud)
 - 0.5 gpf Flush Valve: Manual-Operated:
 - American Standard #6045.051.002
 - 0.125 gpf Flush Valve: Sensor-Operated:
 - American Standard Selectronic® #6063.013.002 DC Power (Top Spud)
 - American Standard Selectronic® #6062.013.002 AC Power (Back Spud)
 - 0.125 gpf Flush Valve: Manual-Operated:
 - American Standard #6045.013.002

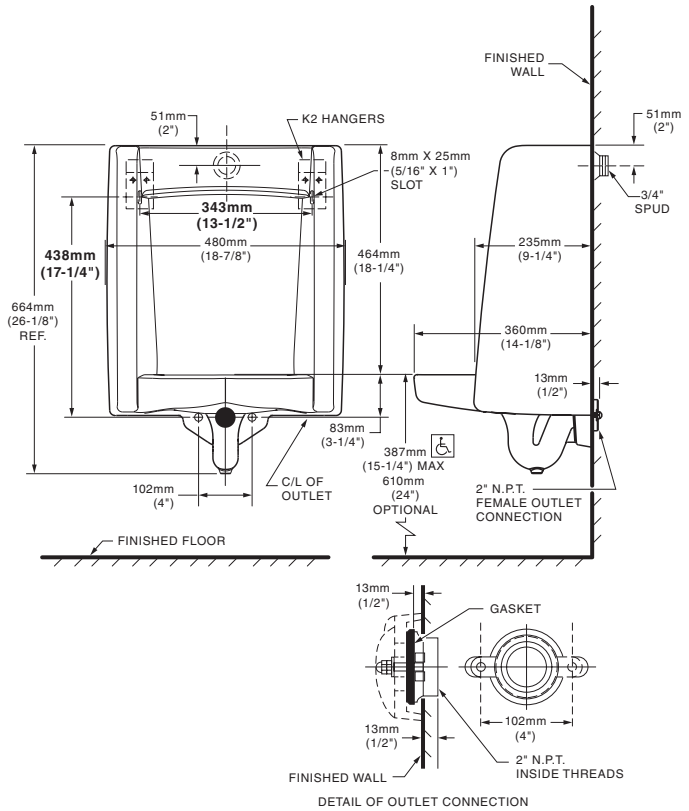


When used with
 0.125 gpf or 0.5 gpf
 urinal flush valves

6590.001 TOP SPUD



6515.001 BACK SPUD



MEETS THE AMERICANS WITH DISABILITIES ACT GUIDELINES AND ANSI A117.1 ACCESSIBLE AND USABLE BUILDINGS AND FACILITIES - CHECK LOCAL CODES.

- When installed so top of rim is 387mm (15-1/4") from finished floor.

NOTES:

FLUSH VALVE NOT INCLUDED AND MUST BE ORDERED SEPARATELY. PROVIDE SUITABLE REINFORCEMENT FOR ALL WALL SUPPORTS.

IMPORTANT: Dimensions of fixtures are nominal and may vary within the range of tolerances established by ANSI Standard A112.19.2. These measurements are subject to change or cancellation. No responsibility is assumed for use of superseded or voided pages.