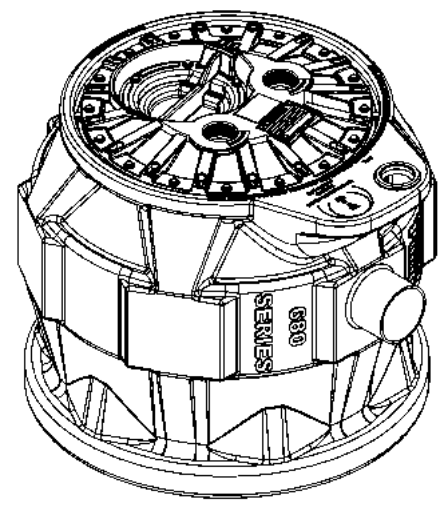
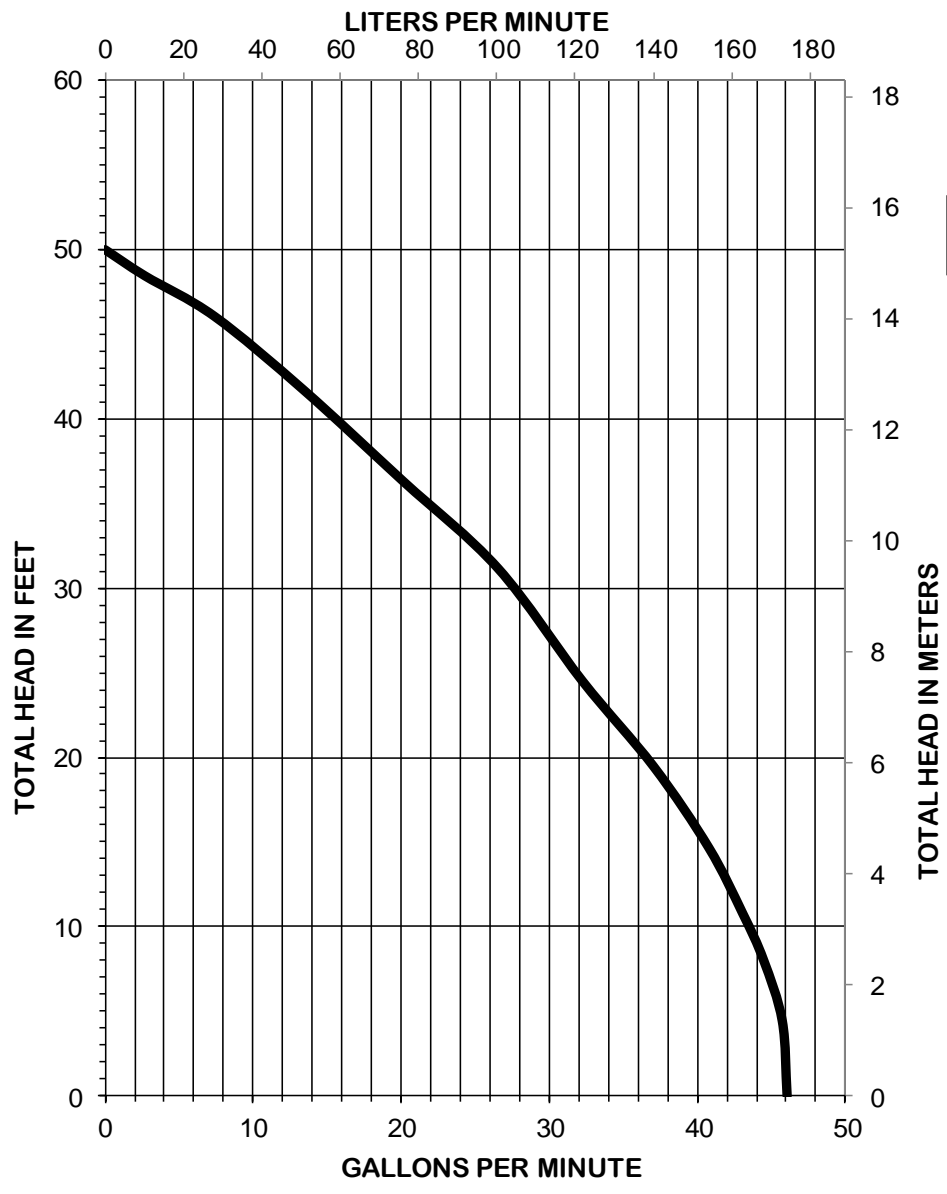
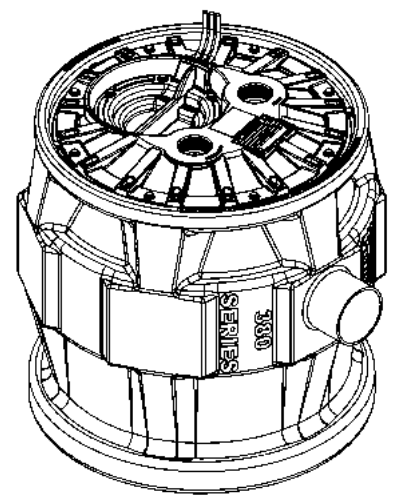


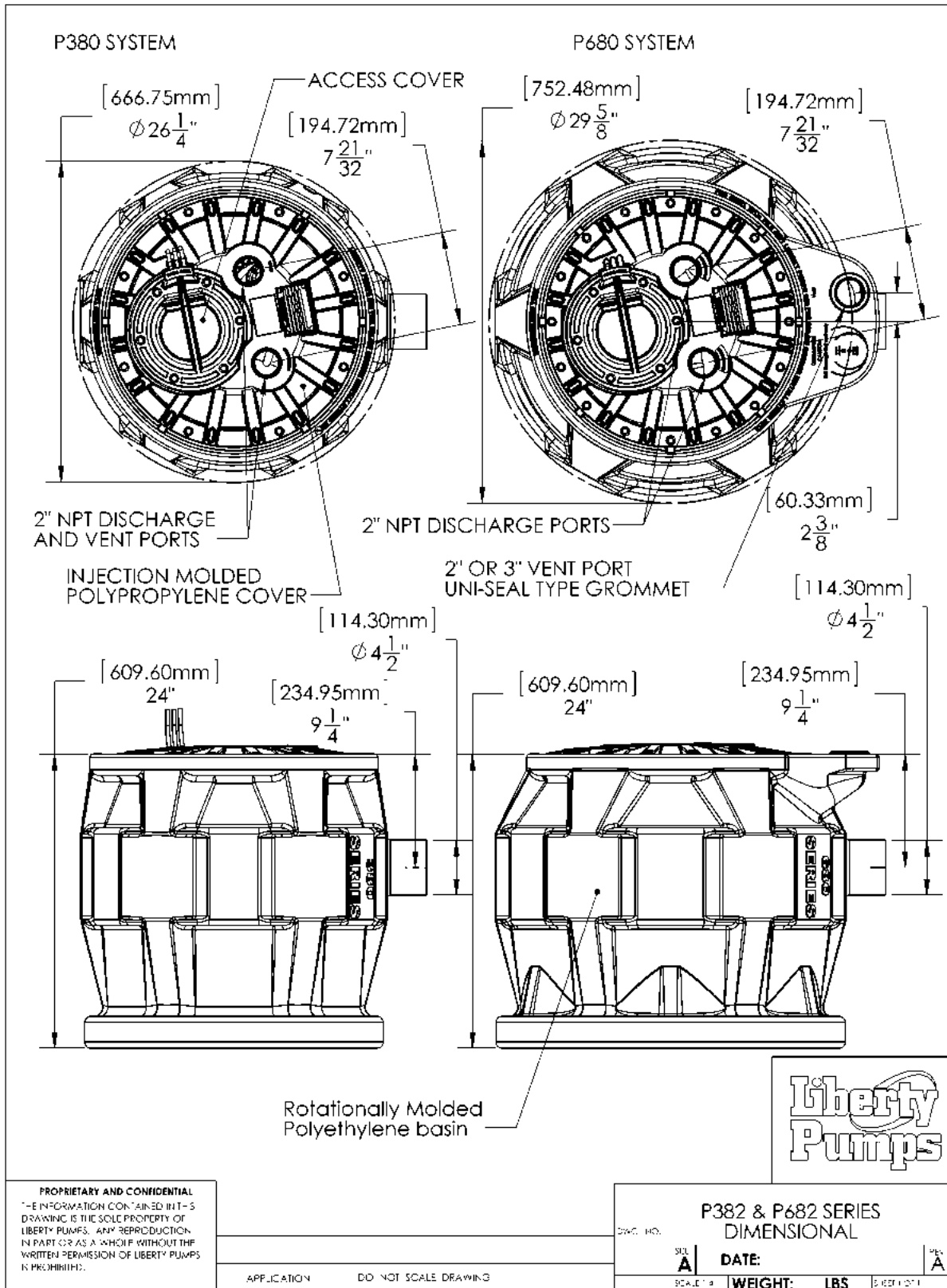


# Product Specifications

## ProVore®380 & ProVore®680 - Series Residential Grinder Packages



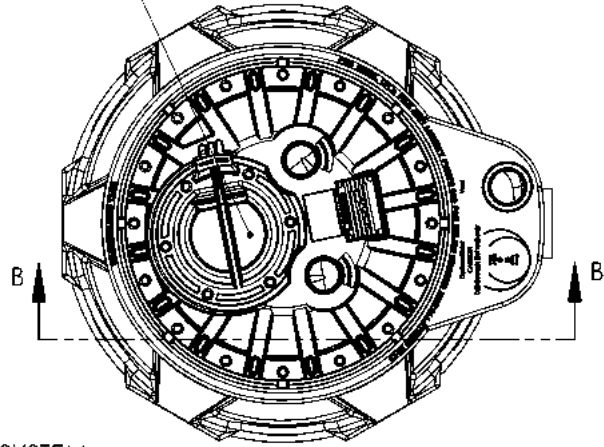
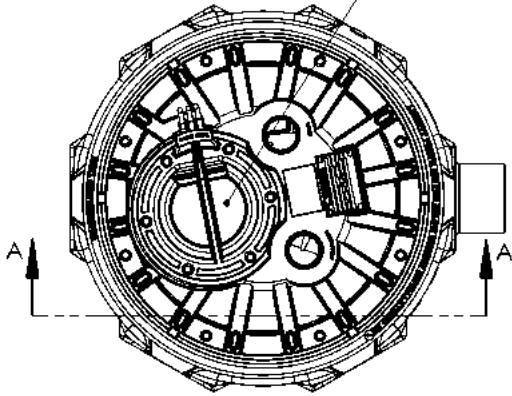
# ProVore® 380 & ProVore® 680 Series Dimensional Data



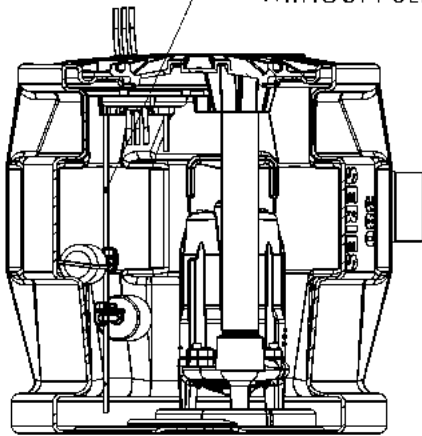
P380 SYSTEM

P680 SYSTEM

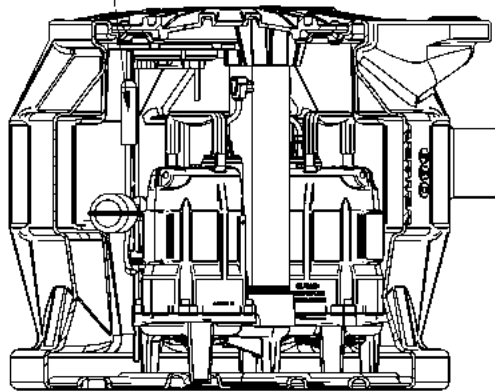
ACCESS COVER



QUICKTREE FLOAT SYSTEM  
ALLOWS REMOVAL OF FLOATS  
WITHOUT PULLING THE PUMP



SECTION A-A



SECTION B-B



**PROPRIETARY AND CONFIDENTIAL**  
 THE INFORMATION CONTAINED IN THIS DRAWING IS THE SOLE PROPERTY OF LIBERTY PUMPS. ANY REPRODUCTION IN PART OR AS A WHOLE WITHOUT THE WRITTEN PERMISSION OF LIBERTY PUMPS IS PROHIBITED.

APPLICATION DO NOT SCALE DRAWING

P382 & P682 SERIES  
DIMENSIONAL

DWG. NO.

SUL  
A

DATE:

REV  
A

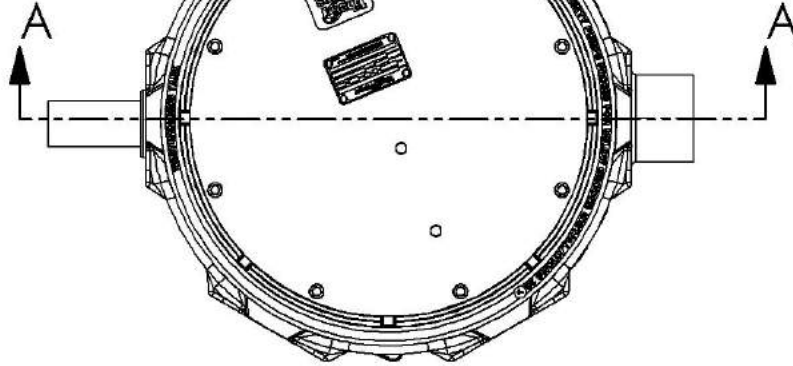
SCALE: 1" = 1"

WEIGHT:

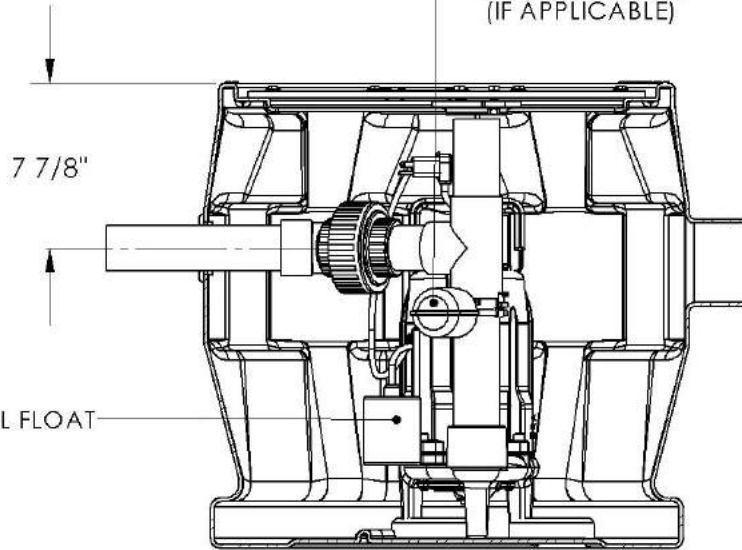
LBS

3 DEC 11 2011

BLANK  
POLYETHYLENE  
COVER



ALARM FLOAT  
MOUNTED TO  
DISCHARGE PIPE  
(IF APPLICABLE)



7 7/8"

CONTROL FLOAT

SECTION A-A  
SCALE 1 : 8



**PROPRIETARY AND CONFIDENTIAL**  
THE INFORMATION CONTAINED IN THIS  
DRAWING IS THE SOLE PROPERTY OF  
LIBERTY PUMPS. ANY REPRODUCTION  
IN PART OR AS A WHOLE WITHOUT THE  
WRITTEN PERMISSION OF LIBERTY PUMPS  
IS PROHIBITED.

P380PRG101-2 SIDE DISCHARGE  
SERIES DIMENSIONAL

DIWG. NO.

SIZE  
**A**

DATE: 10/22/15

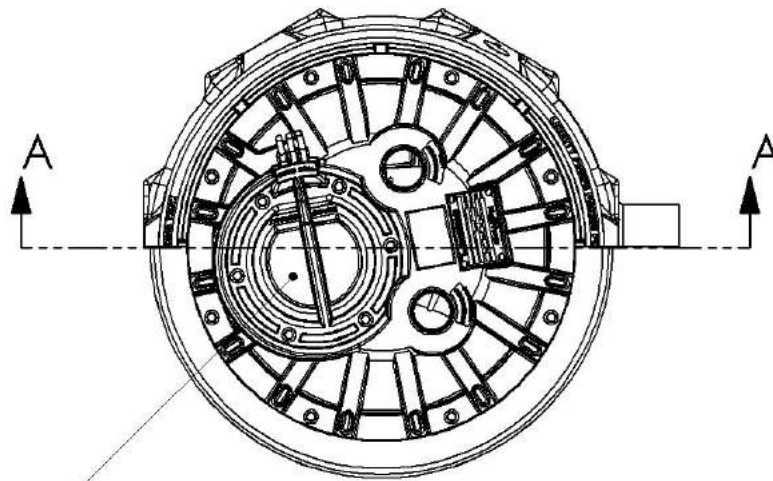
REV  
**A**

APPLICATION

DO NOT SCALE DRAWING

SCALE 1:4

SHEET 1 OF 1

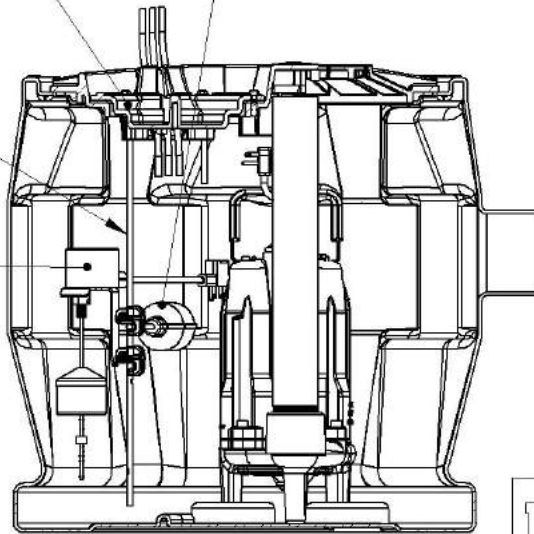


ACCESS COVER

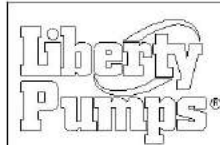
ALARM FLOAT  
(IF APPLICABLE)

QuickTree® float system  
Allows removal of floats  
without pulling the pump

CONTROL FLOAT



SECTION A-A  
SCALE 1 : 8



**PROPRIETARY AND CONFIDENTIAL**  
THE INFORMATION CONTAINED IN THIS DRAWING IS THE SOLE PROPERTY OF LIBERTY PUMPS. ANY REPRODUCTION IN PART OR AS A WHOLE WITHOUT THE WRITTEN PERMISSION OF LIBERTY PUMPS IS PROHIBITED.

P380PRG101 VERTICAL SWITCH  
SERIES DIMENSIONAL

DWG. NO.

SIZE

DATE:

10/22/15

REV

SCALE 1:4

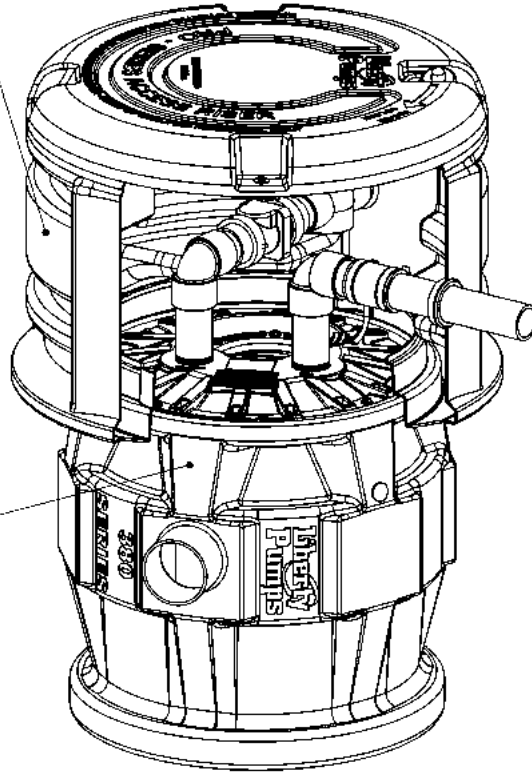
SHEET 1 OF 1

APPLICATION

DO NOT SCALE DRAWING

OPTIONAL  
ARC18 RISER

P380 SYSTEM



**Liberty  
Pumps**

**PROPRIETARY AND CONFIDENTIAL**  
THE INFORMATION CONTAINED IN THIS  
DRAWING IS THE SOLE PROPERTY OF  
LIBERTY PUMPS. ANY REPRODUCTION  
IN PART OR AS A WHOLE WITHOUT THE  
WRITTEN PERMISSION OF LIBERTY PUMPS  
IS PROHIBITED.

**P380 SERIES WITH ARC18 RISER**

DWG. NO.

SOL  
**A**

DATE:

REV  
**A**

APPLICATION

DO NOT SCALE DRAWING

SCALE: 1" = 1"

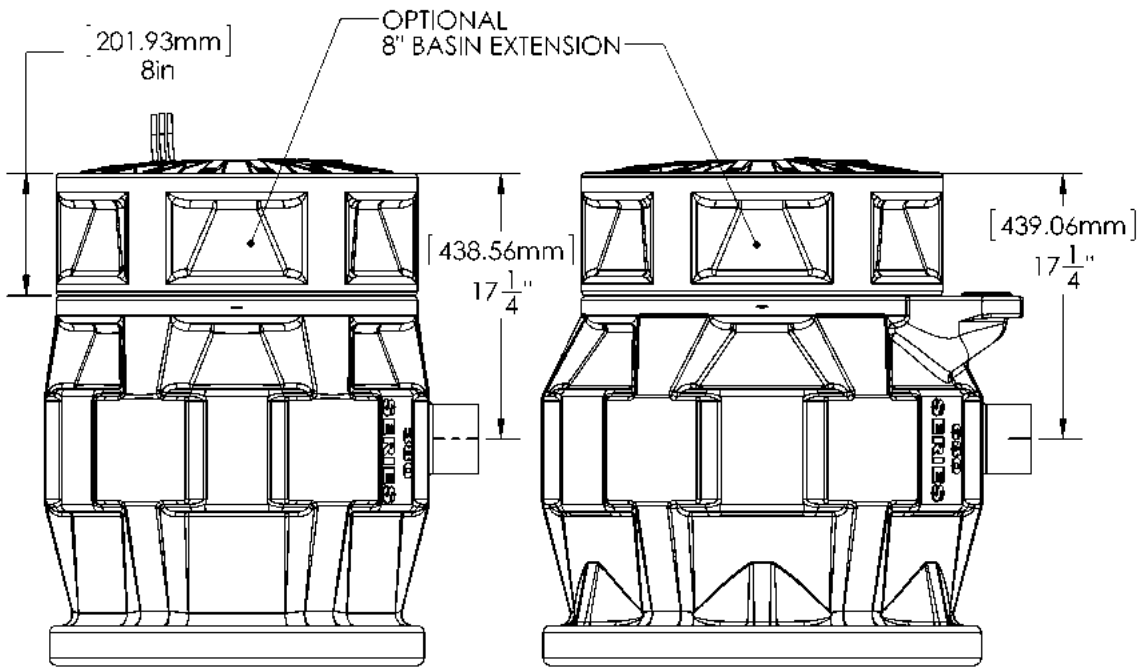
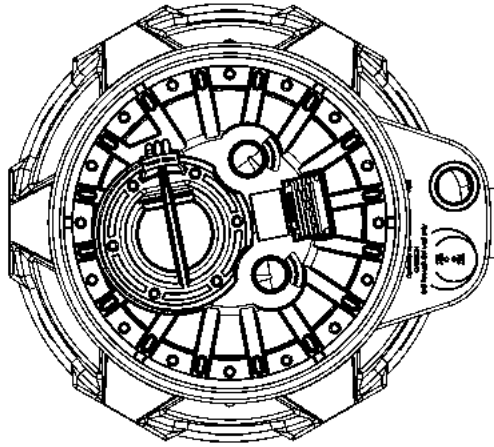
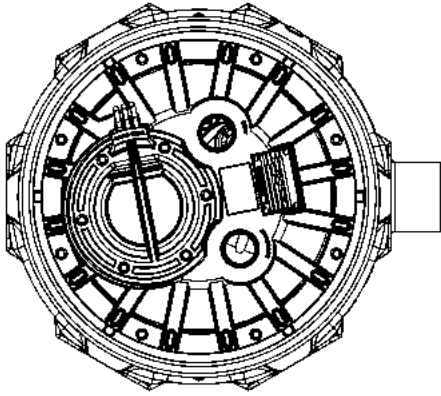
WEIGHT:

LBS

3 KEYS (2) 1

P380 SYSTEM

P680 SYSTEM



**PROPRIETARY AND CONFIDENTIAL**  
 THE INFORMATION CONTAINED IN THIS DRAWING IS THE SOLE PROPERTY OF LIBERTY PUMPS. ANY REPRODUCTION IN PART OR AS A WHOLE WITHOUT THE WRITTEN PERMISSION OF LIBERTY PUMPS IS PROHIBITED.

APPLICATION: \_\_\_\_\_ DO NOT SCALE DRAWING

**P380 & P680 SERIES**  
 DIMENSIONAL W/ EXTENSION  
 DWG. NO. \_\_\_\_\_  
 SCALE: **A** DATE: \_\_\_\_\_  
 WEIGHT: **LBS** 1 OF 1



## ProVore® 380 & ProVore® 680 Series Electrical Data

MODEL	HP	VOLTAGE	PHASE	SF	FULL LOAD AMPS	LOCKED ROTOR AMPS	THERMAL OVERLOAD TEMP	STATOR WINDING CLASS	DISCHARGE	AUTOMATIC SYSTEM
P382XPRG101	1	115	1	1.00	12	47	105°C 221°F	B	2"	YES
P382XPRG101V	1	115	1	1.00	12	47	105°C 221°F	B	2"	YES (VERTICAL)
P382PRG101SD-2	1	115	1	1.00	12	47	105°C 221°F	B	2" (SIDE)	YES
P382XPRG102	1	230	1	1.00	6	23.7	105°C 221°F	B	2"	YES
P682XPRG101	1	115	1	1.00	12	47	105°C 221°F	B	2"	YES
P682XPRG101W	1	115	1	1.00	12	47	105°C 221°F	B	2"	YES (Outdoor Panel)
P682XPRG102	1	230	1	1.00	6	23.7	105°C 221°F	B	2"	YES
P682XPRG102W	1	230	1	1.00	6	23.7	105°C 221°F	B	2"	YES (Outdoor Panel)

## ProVore® 380 & ProVore® 680 Series Technical Data

TANK	UPC LISTED POLYETHYLENE BASIN MEETS IAPMO PS52 10' STACK TEST
COVER	POLYPROPYLENE (HDPE FOR SIDE DISCHARGE MODEL)
GUIDE RAIL	NONE – PUMPS PULL OUT WITH COVER
INLET HUB	INCORPORATED INTO TANK
DISCHARGE PIPE	SCHEDULE 80 PVC
CONTROLS	PIGGY BACK FLOATS – P382 SYSTEMS PDC CONTROL – P680 SYSTEMS
IMPELLER	CAST IRON
SOLIDS HANDLING SIZE	GRINDER PUMP - .2"
PAINT	POWDER COAT
MAX LIQUID TEMP	60°C 140°F
THERMAL OVERLOAD	105°C 221°F
POWER CORD TYPE	SJTW
MOTOR HOUSING	CAST IRON
VOLUTE	CAST IRON
SHAFT	303 STAINLESS STEEL
HARDWARE	STAINLESS STEEL
ORINGS	BUNA N
MECHANICAL SEAL	UNITIZED SILICON CARBIDE

### WARRANTY

Standard limited warranty shall be 3 years.