

UPBA-480B* 1/2"-4"***

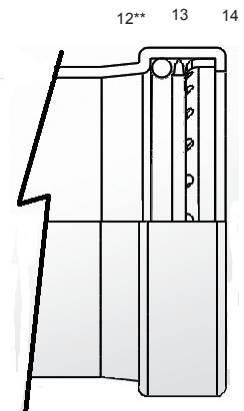
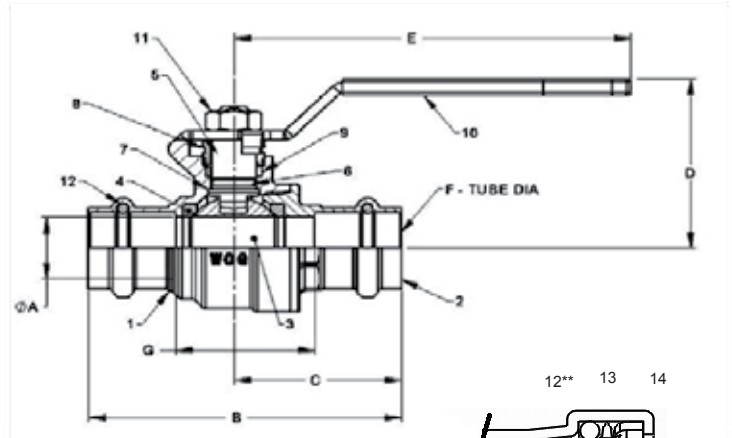


Tested and Certified by
 IAPMO RHT to NSF/ANSI 61
 and NSF/ANSI 372 for lead
 free compliance.

MATERIALS LIST

ITEM	PART	MATERIALS	ASTM SPEC.
1	Body	Brass, Forged	B283 C27450
2	Tailpiece	Brass, Forged	B283 C27450
3	Ball	Brass, Chrome Plating	B283 C27450
4	Ball Seat (1/2"-2")	PTFE	Commercial
	Ball Seat (2 1/2"-4")	RPTFE	
5	Stem	Brass, Forged	B283-C27450
6	Stem O-Ring	Buna-N	D2000
7	Thrust Washer	PTFE	Commercial
8	Gland Nut	Brass	B124
9	Packing	PTFE	Commercial
10	Handle	Zinc Plated Steel	Commercial
11	Handle Nut	Zinc Plated Steel	Commercial
12	Backing Ring	EPDM	Commercial
13**	Backing Spacer	PTFE	Commercial
14**	Backing Retainer	Stainless Steel	Commercial

*Ultra Press Valves are designed and qualified for use in copper tubing systems only, Types K, L, & M per ASTM B88



** 2-1/2", 3", & 4" Requires XLC installation jaws.

DIMENSIONS

	UNITS	1/2" DN15	3/4" DN20	1" DN25	1-1/4" DN32	1-1/2" DN40	2" DN50	2-1/2" DN65	3" DN80	4" DN100
A-PORT DIA	INCHES	0.51	0.76	0.98	1.26	1.50	2.01	2.48	2.95	3.94
	mm	13	19	25	32	38	51	63	75	100
B	INCHES	3.16	3.71	4.28	5.20	6.31	7.44	8.23	9.13	11.42
	mm	80	94	109	132	160	189	209	232	290
C	INCHES	1.63	1.92	2.18	2.75	3.40	3.96	4.33	4.80	6.06
	mm	41	49	55	70	86	101	110	122	154
D	INCHES	1.62	2.01	2.21	2.46	2.62	3.13	3.86	4.21	6.06
	mm	41	51	56	63	67	80	98	107	154
E	INCHES	3.15	4.33	4.33	5.12	5.12	6.89	7.87	7.87	9.65
	mm	80	110	110	130	130	175	200	200	245
G	INCHES	1.52	1.73	2.31	3.16	3.49	4.28	3.98	4.76	6.14
	mm	39	44	59	80	89	109	101	121	156
Cv		18	40	72	112	161	287	448	645	700

†Non-Shock

Note: Lead free refers to the wetted surface of the pipe, fittings and fixtures in potable water systems that have a weighted average lead content ≤0.25%. Source: California Health and Safety Code (116875).

The information presented on this sheet is correct at time of publication. Milwaukee Valve reserves the right to change design and/or materials without notice. For our Installation, Operation and Maintenance Manual and the most current product information go to www.milwaukeevalve.com.

⚠ State of California Prop 65 **WARNING:** Cancer and Reproductive Harm. For more information visit www.p65warnings.ca.gov.

