


SharkBite®

SharkBite® Ball Valve

DESCRIPTION

The SharkBite® Ball Valves are high quality forged brass ball valves with SharkBite connections. The SharkBite connections allow the user to connect the ball valves to copper tubing, CPVC, PEX and PE-RT in seconds with relative ease.

FEATURES AND BENEFITS

Convenient single lever control:

Makes them easy to use and encourages shut-off of water supply.

Full Port Ball Valve:

Allows water to flow freely through valve.

Instant push-to-connect connections for increased ease of use:

No soldering, clamps, unions, or glue required.

Valve assembled to strict quality standards:

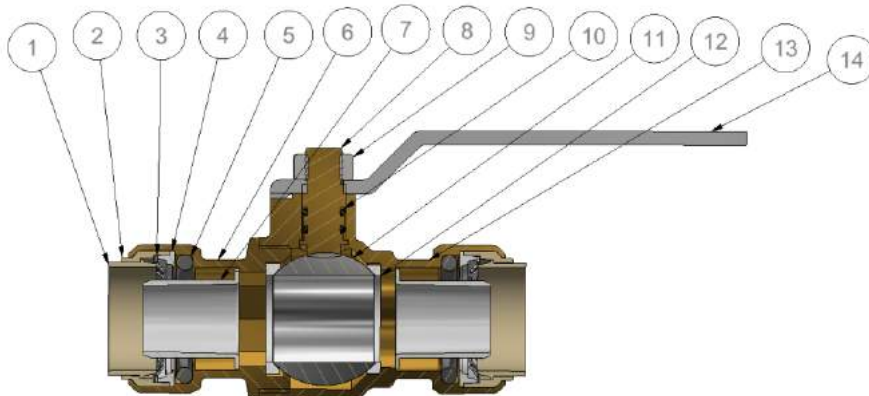
Measured thread engagement, measured torque.



TECHNICAL DATA

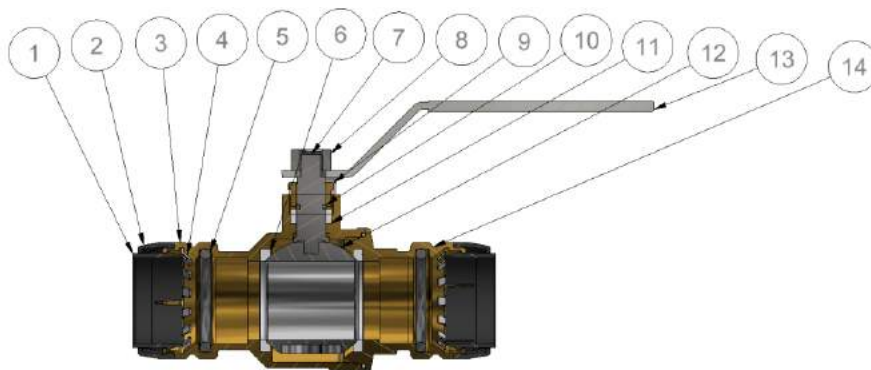
SharkBite 1/2 in. – 1 in. Sizes

Item	Material
1 - Demount Ring	Copolymer
2 - Cartridge	Copolymer
3 - Grab Ring	SST 316
4 - Protection Ring	Copolymer
5 - O-Ring	EPDM
6 - Adapter	Copolymer
7 - Tube Liner	Copolymer
8 - Steam	DZR LF Brass
9 - Nut	SST 304
10 - O-Ring	EPDM
11 - Ball	DZR LF Brass
12 - Seal	PTFE
13 - Body	DZR LF Brass
14 - Handle	Steel



SharkBite 1-1/4 in. – 2 in. Sizes

Item	Material
1 - Demount Ring	Copolymer
2 - End Cap	Copolymer
3 - Body	DZR LF Brass
4 - Grab Ring	SST 316
5 - O-Ring	EPDM
6 - Seal	PTFE
7 - Steam	DZR LF Brass
8 - Nut	SST 304
9 - Packing Nut	Brass
10 - O-Ring	EPDM
11 - Packing	PTFE
12 - Ball	DZR LF Brass
13 - Handle	Steel
14 - Adapter	DZR LF Brass



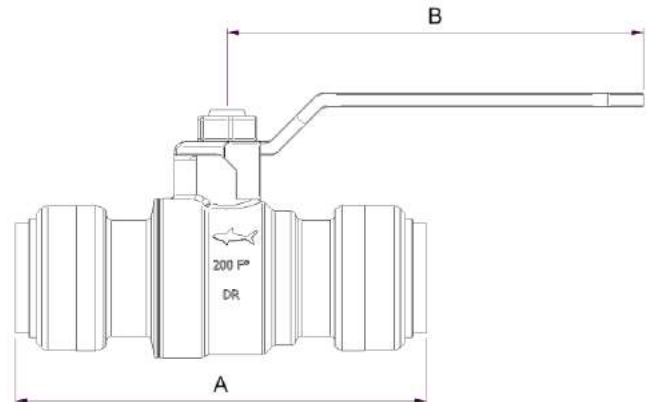
www.sharkbite.com • 2727 Paces Ferry Road • Building 2 • Suite 1800 • Atlanta • Georgia 30339 • USA
 US Contact: 1-877-700-4242 • customerservice@sharkbite.com • Canadian Contact: 1-888-820-0120 • canadasales@rwc.com


SharkBite®

SharkBite® Ball Valve

Dimensional Data

SKU	DESCRIPTION	A	B
22222-0000LF	Ball Valve 1/2 in. x 1/2 in.	3.075	3.647
22185-0000LF	Ball Valve 3/4 in. x 3/4 in.	3.582	3.635
22223-0000LF	Ball Valve 1 in. x 1 in.	4.459	4.620
UXLBV35	Ball Valve 1-1/4 in. x 1-1/4 in.	5.638	5.521
UXLBV41	Ball Valve 1-1/2 in. x 1-1/2 in.	6.205	6.333
UXLBV54	Ball Valve 2 in. x 2 in.	7.012	6.341



PERFORMANCE DATA

- Minimum working temperature 33°F at 200 psi
- Maximum working pressure 200 psi at 200°F

CERTIFICATIONS

SharkBite ball valves are approved for use in all national and local codes in the US and Canada. Certified and listed to the following standards:

- **ANSI/NSF 61** – Drinking Water System Components - Health Effects
- **ANSI/NSF 372** - Drinking water system components - Lead content
- **ANSI/NSF 14** – Plastics Piping System Components and Related Materials
- **ANSI Z1157** – Performance Standard for Ball Valves

SPECIFICATION

- System shall be plumbed using SharkBite Pipe cross-linked polyethylene pipe and all joints shall be made using SharkBite push-to-connect fittings, brass SharkBite barb fittings or polymer SharkBite barb fittings used with copper crimp rings or stainless steel clamps. Pipe and fittings shall be installed as outlined in the SharkBite PEX installation manual

Job Name:	
Job Location:	
Engineer	
Contractor:	
Tag:	

