



## Low Lead Ball and Waste Valves

### Product Features

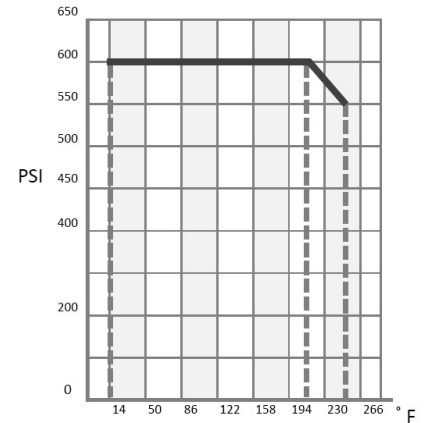
- Low lead compliant Brass Body
- 2 piece, full port ball and waste valves
- PFXR850 series are IPS 600# and the PFXR858 series are SWT 600#
- Minimal pressure drop due to full size ports
- PTFE seats are standard
- PTFE stem packing seal
- Temperature range: 15°F - 248°F (-9°C - 120°C)
- Not for use at or below ground level



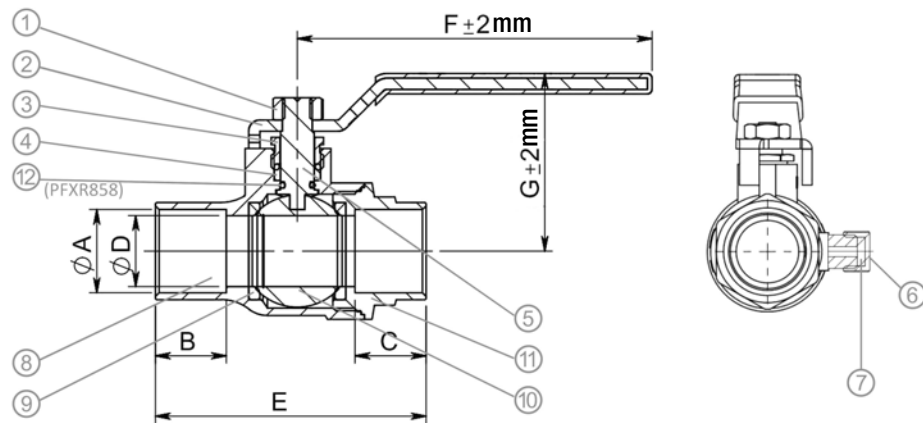
Parts/Accessories: PFXRCAP (waste cap for ball and waste valve)

	Inch	A	B	C	D	E	F	G
PFXR850PD	1/2"	1/2-14NPT	0.81	0.57	0.5	2.28	3.62	1.71
PFXR850PF	3/4"	3/4-14NPT	0.75	0.57	0.75	2.5	4.33	2.11
PFXR850PG	1"	1"-11.5NPT	0.87	0.73	1	3.05	5.12	2.74
PFXR858PD	1/2"	0.63	0.5	0.5	0.5	2.07	3.74	1.63
PFXR858PF	3/4"	0.88	0.75	0.75	0.75	2.85	3.74	1.87
PFXR858PG	1"	1.13	0.91	0.91	1	3.44	5.12	2.74

PRESSURE/TEMPERATURE RATING



No.	Part Name	Material
1	Hex-Nut	Steel
2	Handle	Steel
3	Packing Nut	Brass
4	Packing Gland	PTFE
5	Stem	LF Brass
6	Cap	Brass
7	Rubber Gasket	NBR
8	Body	LF Brass
9	Seat	PTFE
10	Ball	LF Brass
11	Bonnet	LF Brass
12	O ring (PFXR858 only)	EPDM



### Warranty and Codes

This PROFLO product carries a 1-year limited warranty.

