

# Specifications

## PFXAF Premium Series

### Frost-Proof Yard Hydrant



#### Product Features

- Lever control with variable flow
- Heavy-duty solid no-lead brass hose adapter
- Pipe and rod are galvanized to prevent rust
- Head and lever can be padlocked to prevent unauthorized use
- Drains below the frost line once hydrant is shut off
- Inlet: 3/4" NPT in no-lead brass casting
- Outlet: 3/4" no-lead brass hose thread
- Stainless steel operating rod thru teflon packing
- Automatic self-adjusting plunger
- 1" Galvanized pipe and 7/16" galvanized operating rod
- Low-lead compliant
- Meets the Federal USA drinking water requirements but has not been specifically tested or approved as no-lead in the state of California.

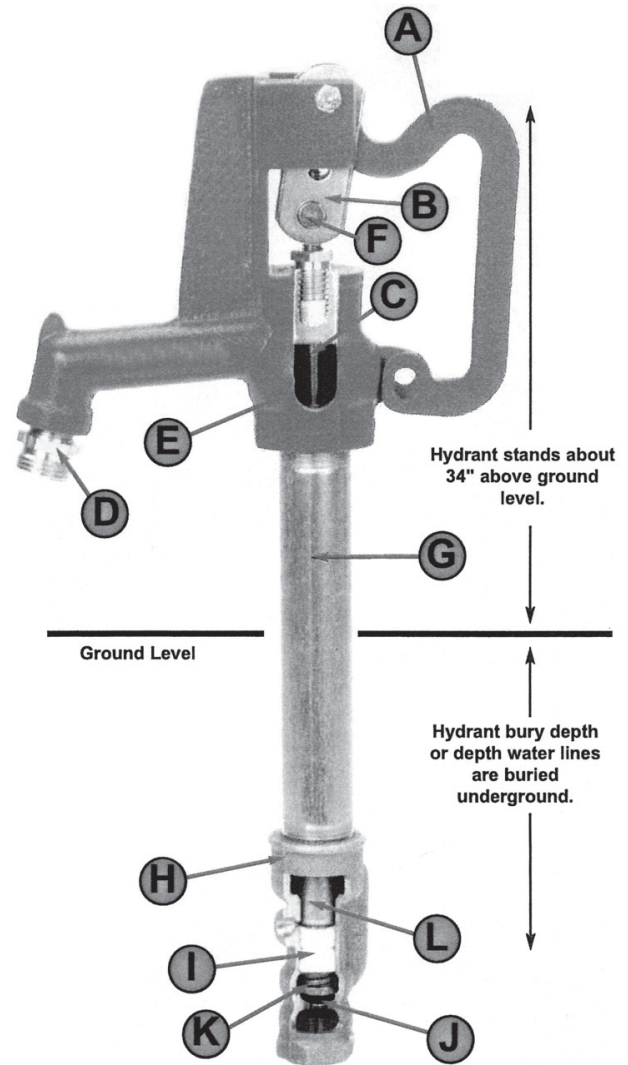
#### Available Parts

- PFXAFHDL** Lever control (A)  
**PFAF7500RK** Repair kit includes: draw straps (pair), pivot connector and nuts, packing nut, valve stem packing and plunger assembly

#### Parts

SKU	Freezeless Yard Hydrant Description	Overall Length (inches)
PFXAF7501	1 FT BURY PREMIUM	45.5
PFXAF7502	2 FT BURY PREMIUM	57.5
PFXAF7503	3 FT BURY PREMIUM	69.5
PFXAF7504	4 FT BURY PREMIUM	81.5
PFXAF7505	5 FT BURY PREMIUM	93.5
PFXAF7506	6 FT BURY PREMIUM	105.5
PFXAF7507	7 FT BURY PREMIUM	117.5

WATER SYSTEM PRESSURE	GALLONS PER MINUTE (GPM)										
	0	5	10	15	20	25	30	35	40	45	50
20 PSI	18 GPM @ 20 PSI										
30 PSI	21 GPM @ 30 PSI										
40 PSI	24 GPM @ 40 PSI										
60 PSI	30 GPM @ 60 PSI										
80 PSI	34 GPM @ 80 PSI										
100 PSI	40 GPM @ 100 PSI										
NOTE: Most common 1/2 hp submersible pumps output is 10 GPM.											



- A Lever control
- B Draw straps
- C SS Operating rod
- D Heavy-duty solid brass hose adapter
- E Extra thick walled head casting
- F Pivot connector with two nuts
- G USA schedule 40 galvanized pipe
- H Extra thick walled valve body
- I Patented plunger arrangement
- J Beveled bibb washer
- K SS Spring
- L Plunger on swivel

#### Warranty and Codes

This PROFLO product carries a 1-year limited warranty.

