

DESCRIPTION

Complete vitreous china water closet.

Flush Cycle

Model ST-2009-A Universal Closet

(1.1 to 1.6 gpf/4.2 to 6.0 Lpf)

Code: 2102009

Flush volume is determined by the flushometer used with closet.



SPECIFICATIONS

Fixture

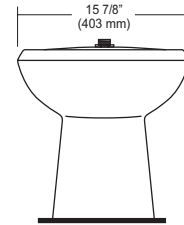
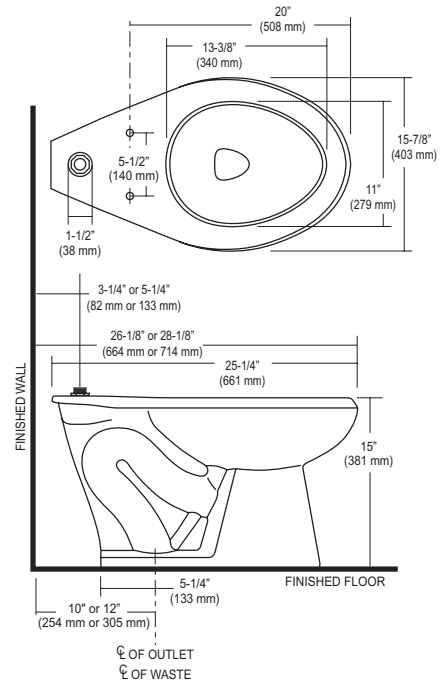
- Vitreous China
- Floor Mounted
- Siphon Jet Flushing Action
- 1-1/2" IPS top spud inlet
- 2-1/8" trapway diameter
- Fully Glazed Trapway
- Integral Flushing Rim
- Elongated Bowl
- Water Spot Area 10" x 7 1/2"
- Closet Bolts and Caps Included
- Water closet compliant to the applicable sections of ASME A112.19.2/CSA B45.1
- Toilet Seat Not Included

Colors/Finishes

- White

Recommended Seats

- Bemis - 1955CT/1955SCT & 2155CT/2155SCT
- Church - 295CT/295SCT & 2155CT/2155SCT



NOTE: All vitreous china dimensions shown in these drawings are nominal. Dimensions can vary within the tolerances established in the governing ASME A112.19.2/CSA B45.1 standard. Please take this into consideration when planning rough-in and plumbing layouts.

Product Specification

Elongated water closet shall be made of vitreous china with a 1-1/2" top spud. Water Closet shall be floor mounted. Water Closet shall be Sloan Model ST-2009-A.

* Please note that this model is fully interchangeable with Models: ST-2000-A, ST-2002-A, ST-2003-A and matches all dimensional and performance parameters.

** This model meets the requirements for a High Efficiency Toilet when used with a high efficiency flushometer (1.28 gpf/4.8 Lpf or 1.1/1.6 gpf-4.2/6.0 Lpf dual-flush).

NOTE: Plumbing System Requirements

- ✓ Minimum **Flowing** Pressure: 25 PSI
- ✓ Maximum Fixture Static Pressure: 80 PSI
- ✓ Minimum Flow Rate: 18 GPM



This space for Architect/Engineer approval	
Job Name	Date
Model Specified	Quantity
Variations Specified	
Customer/Wholesaler	
Contractor	
Architect	

The information contained in this document is subject to change without notice.