

# PF131

## Test Cap



### Product Features

- High impact polystyrene
- Designed for testing up to 10PSI or 30' head pressure
- For use on SCH40 PVC or ABS DWV pipe

### Model Numbers

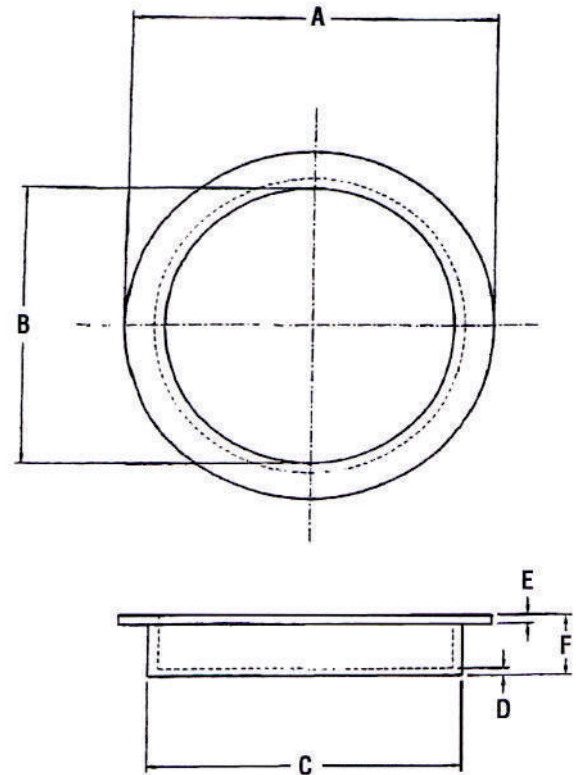
- PF131J**
- PF131K**
- PF131M**
- PF131P**



**PF131**

	<b>PF131J</b>	<b>PF131K</b>	<b>PF131M</b>	<b>PF131P</b>
	1-1/2"	2"	3"	4"
A	1.859±0.010	2.323±0.010	3.455±0.015	4.45±0.010
B	1.465±0.010	1.935±0.010	2.93±0.010	3.87±0.010
C	1.572±0.005	2.035±0.010	3.04±0.010	4.00±0.010
D	0.040±0.005	0.042±0.005	0.044±0.005	0.037±0.005
E	0.047±0.005	0.047±0.010	0.047±0.005	0.046±0.005
F	0.311±0.005	0.325±0.010	0.37±0.010	0.43±0.010

### Product Specifications



### Warranty and Codes

This PROFLO product carries a 1-year limited warranty.