

LOW LEAD COMPLIANT 2-1/2" LIQUID FILLED GAUGE

Liquid-filled pressure gauges provide users with a number of advantages in certain measurement applications. They are ideally suited for uses on equipment where excessive vibration and pulsation are encountered, such as pumps, compressors, and machine tools. Connection and wetted internal components meet Federal lead free requirements.

Features:

- Dual Scale (PSI and kPa)
- +/- 1.5% of Full Scale Accuracy
- Complies with Federal Lead-Free Law (Sec. 1417)
- 304SS Case and Crimp-On Bezel Ring
- Glycerin Filled
- Lead Free Phosphor Bronze C-Shaped Bourdon Tube
- 1/4" Lead Free Brass MNPT Connection
- OT 59 Brass Movement
- Black Anodized Aluminum Pointer
- White Aluminum Dial with Black and Red Markings
- Lead Free Tin/Copper Alloy Welding
- Polycarbonate Lens
- Buna N Socket Gasket and Fill Plug
- Silicone Gasket at Lens (Non-wetted Part)
- 75% of Full Scale Working Pressure
- 25% Over-Pressure Limit
- -4°F to 150°F (-20°C to 65°C) Process and Ambient Temperature Limit
- IP65 Enclosure Rating



Low Lead Compliant: Referring to laws defining "Lead Free" as wetted surface of pipe, fittings and fixtures in potable water systems that have a weighted average lead content $\leq 0.25\%$ per the Safe Drinking Water Act (Sec. 1417) amended 1-4-2011 as well as other state regulations.

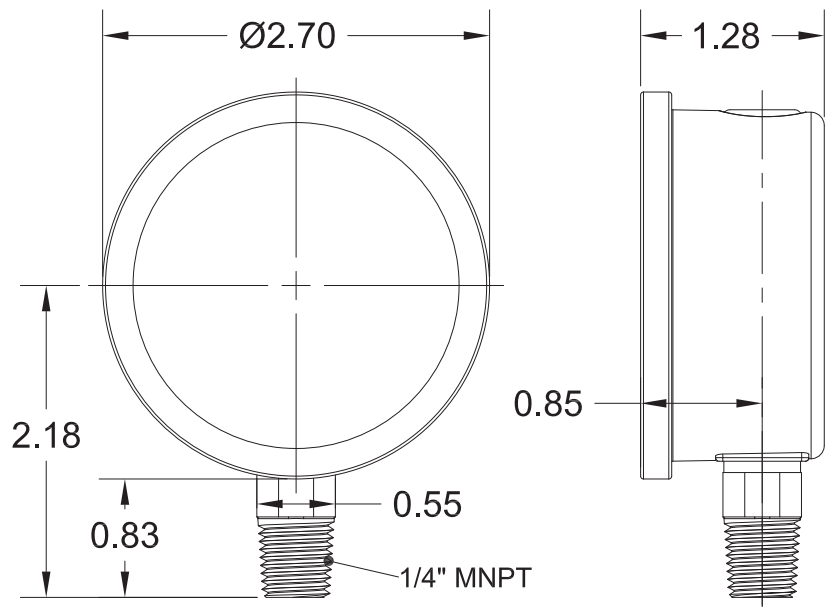


Dial Resolution

Range (PSI)	PSI Per Mark
0 to 30	0.5
0 to 60	1
0 to 100	2
0 to 160, 200, 300	5

Part Numbers

Range (PSI)	Part Number
0 to 30	FNWXLFG030L
0 to 60	FNWXLFG060L
0 to 100	FNWXLFG0100L
0 to 160	FNWXLFG0160L
0 to 200	FNWXLFG0200L
0 to 300	FNWXLFG0300L



DOC: FNWXLFG13 Ver. 10/2013

© 2013 - FNW. All rights reserved.

The FNW logo is a trademark of Ferguson Enterprises, Inc., PL Sourcing, PO Box 2778, Newport News, VA 23609

www.fnw.com

The contents of this publication are presented for information purposes only, and while effort has been made to ensure their accuracy, they are not to be construed as warranties or guarantees, expressed or implied, regarding the products or services described herein or their use or applicability. All sales are governed by our terms and conditions, which are available on request. We reserve the right to modify or improve the designs or specifications of our products at any time without notice. Always verify that you have the most recent product specifications or other documentation prior to the installation of these products.