

### Features

- Revolutionary funnel design virtually eliminates splashback.
- KOHLER-engineered water flushing spreader successfully rinses the inverted back wall, sides, and front of the urinal basin for a more sanitary customer experience.
- 3/4" top spud.
- 15-5/8" extended rim allows for ADA installation.
- Includes removable strainer, 2" outlet spud, universal mounting bracket, and hangers.
- Large footprint covers old urinal wall print.
- Washout
- 3/4" top spud.
- Includes removable strainer, 2" outlet spud, universal mounting bracket, and hangers.
- 0.125 gpf (0.47 lpf)
- 15-5/8" (397 mm) extended rim.

### Material

- Constructed of vitreous china.
- Vitreous china

### Installation

- 29-5/8" H x 15" W x 15-5/8" D

### Water Conservation & Rebates

- Ultra low consumption. Operates at 0.125 gpf (0.47 lpf).
- Offers 80% water savings compared to standard 1.0-gpf urinals.
- This product can help a building earn Water Efficiency points in the LEED Green Building Rating System™. See specification sheet for water use data.
- WaterSense® compliant when used with WaterSense flushometer.
- WaterSense® compliant when used with WaterSense® flushometer.

### Recommended Accessories

- K- 10668 WAVE DC 1/8 GPF Urinal Flushometer
- K- 10949 Tripoint™ DC 1/8 GPF Urinal Flushometer
- K- 13520 Manual 1/8 GPF Urinal Flushometer

### Components

Additional included component/s: 3/4" inlet spud, 2" outlet spud, Hanger (2 required), Universal mounting bracket, and Removable strainer.



ADA

### Codes/Standards





ASME A112.19.2/CSA B45.1  
DOE - Energy Policy Act 1992  
EPA WaterSense®  
ADA  
ICC/ANSI A117.1

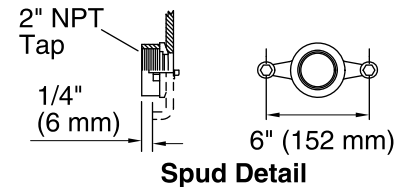
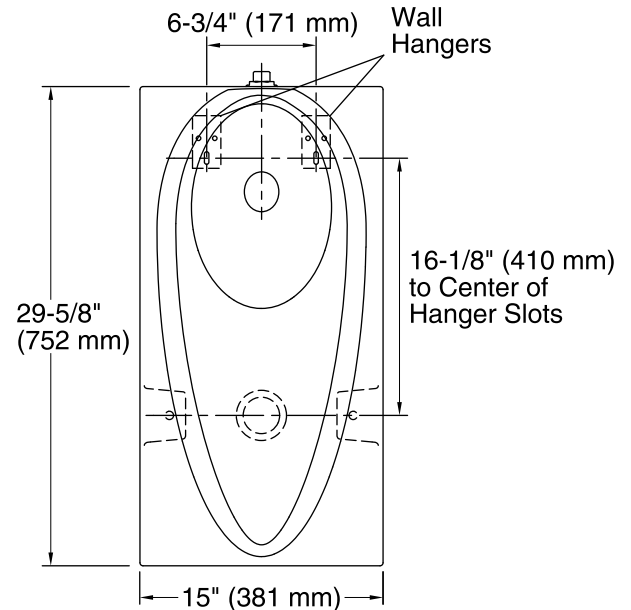
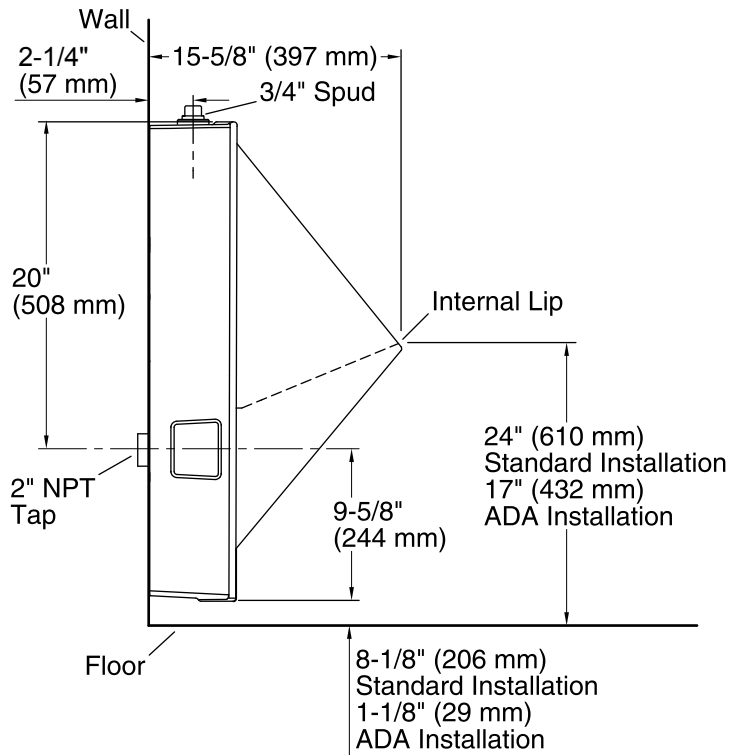
### KOHLER® One-Year Limited Warranty

See website for detailed warranty information.

### Available Color/Finishes

*Color tiles intended for reference only.*

| Color  | Code | Description  |
|--|------|--------------|
|  | 0    | White        |
|  | 96   | Biscuit      |
|  | 47   | Almond       |
|  | 7    | Black Black™ |



## Technical Information

All product dimensions are nominal.

Flush outlet technology: Washout

Spud size: 3/4", inlet, Top

Min. Water per Flush: 0.125 gal (0.5 L)

## Notes

Install this product according to the installation guide.

**NOTICE:** For ADA compliance, measurement must be from the floor to the top of the internal lip.

ADA compliant when installed to the specific requirements of these regulations.