

STUDIO™ CARRÉ UNDERCOUNTER SINK

- Square undercounter mount sink
- Made from vitreous china
- Customizable overflow position
- Supplied with mounting kit (7301442-0070A) and template

0426.000
405 x 405mm
(16" x 16")

Bowl size:

344mm (13-1/2") wide
344mm (13-1/2") front to back
121mm (4-3/4") deep



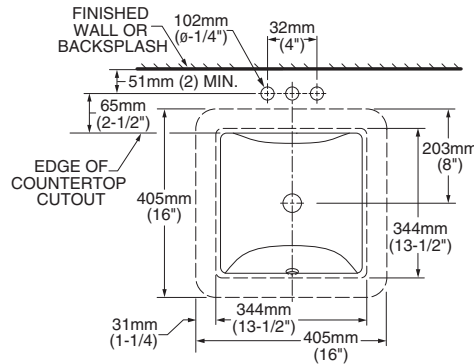
Compliance Certifications - Meets or Exceeds the Following Specifications:

- ASME A112.19.2 / CSA B45.1

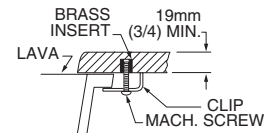
To Be Specified:

- Color: White Bone
- Linen Black
- Faucet*:
- Faucet Finish:
- Supplies:
- 1-1/4" Trap:

* See faucet section for additional models available

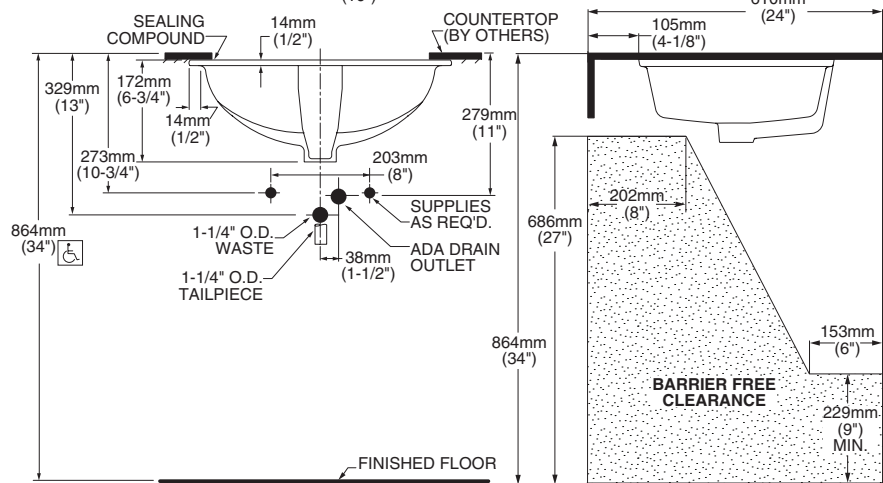


▼ DETAIL OF MOUNTING CLIP (KIT No. 7301442-0070A)



REFER TO INSTALLATION INSTRUCTIONS

* To comply with ADA standards,
overflow hole must face back.



NOTES:

▼ UNDERCOUNTER MOUNTING KIT SUPPLIED WITH SINK.
FITTINGS NOT INCLUDED WITH FIXTURE AND MUST BE ORDERED
SEPARATELY.
SEALING COMPOUND SUPPLIED BY OTHERS.

IMPORTANT: Dimensions of fixtures are nominal and may vary within the
range of tolerances established by ASME A112.19.2 / CSA B45.1.
These measurements are subject to change or cancellation. No responsibility
is assumed for use of superseded or voided pages.

**MEETS THE AMERICANS WITH DISABILITIES ACT
GUIDELINES AND ANSI A117.1 ACCESSIBLE AND
USABLE BUILDINGS AND FACILITIES -
CHECK LOCAL CODES.**

Countertop 864mm (34") from finished floor. Lavatory
installed 102mm (4") from front edge of countertop.
Countertop thickness to be 25mm (1") maximum.