

### Features

- 4 frame profiles in 7 finishes
- Quiet close Safeseal® Gasket
- Mirrored interior with 3 adjustable glass shelves
- Non-electric cabinets can be installed with left or right opening
- Includes installation hardware for recess mounting
- Can be recessed or surface mounted (kit required)

### Construction

- Satin anodized aluminum body
- 3 mirror design - rear of cabinet and both sides of door
- Blum 130° self-closing hinges
- Safeseal® Gasket with sealed corners on cabinet body
- Adjustable shelving at 2" (51 mm) increments
- Electric Option Cabinet:
  - Standard knock out for 1/2" (13 mm) cable connector
  - Wired internally - Front access serviceability

### Codes/Standards Applicable

- Electric Option Models are ETL certified to:
  - UL 962
  - CSA Standard C22.2 No. 68

### Dimensions

**Height:** 30-1/16" (764 mm)  
**Width:** 15-3/8" (391 mm)  
**Maximum Depth:** 5-1/8" (130 mm) Surface, 1-3/8" (35 mm) Project from wall when recessed

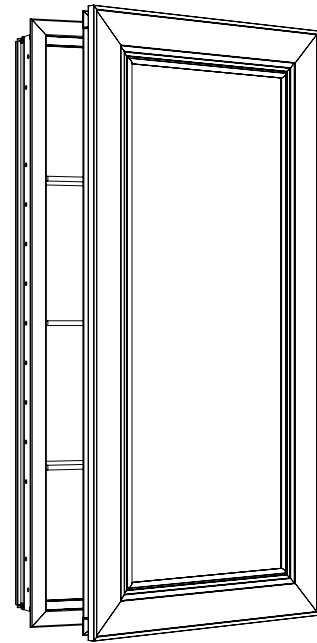
### Options

- Left or Right hand hinged
- Electric option
- Other widths / heights / depths available
- All Main Line Framed Cabinets can be paired with Main Line Sconces - Reference when ordering DLFML## or Decorative Glass Sconces - Reference when ordering DLFDG####

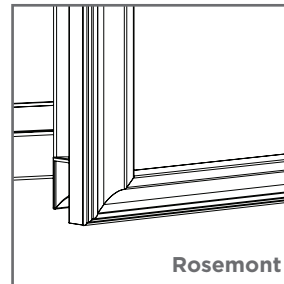
### Installation Options

**Recessed Mount** - Rough Opening - 29-1/4" H x 14-1/2" W x 4" D (743 mm H x 368 mm W x 102 mm D)

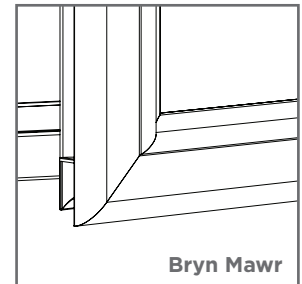
**Surface Mount** - Reference Surface Mount Kit when ordering MSMK30D4P - Plain Mirror Kit  
 MSMK30D4## - Decorative Kit



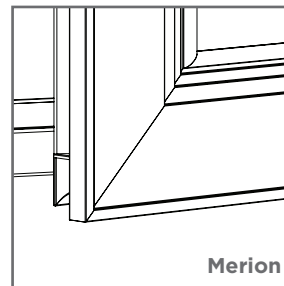
(Merion Option Shown)



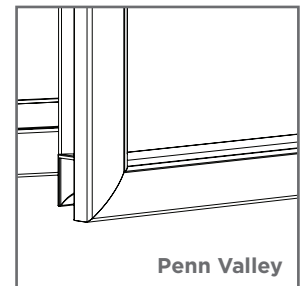
Rosemont



Bryn Mawr



Merion



Penn Valley

See page 2 for frame dimensions.

### Model Number Key

| Decorative | Cabinet | Width | Height | Depth | Frame Style  | Interior Color   | Hinge Side and Electric Option   | Finish/Color   |
|------------|---------|-------|--------|-------|--|------------------|--|--|
| D          | C       | 16"   | 30"    | D4    | RM = Rosemont<br>BM = Bryn Mawr<br>PV = Penn Valley<br>ME = Merion | G = Classic Gray | Blank = Left/Right Non Electric<br>LE = Left with Electric<br>RE = Right with Electric | 70 = Satin Nickel<br>71 = Brushed Nickel<br>74 = Brushed Black<br>75 = Brushed Bronze<br>76 = Chrome<br>77 = Polished Nickel<br>79 = White |

## Optional Electrical System

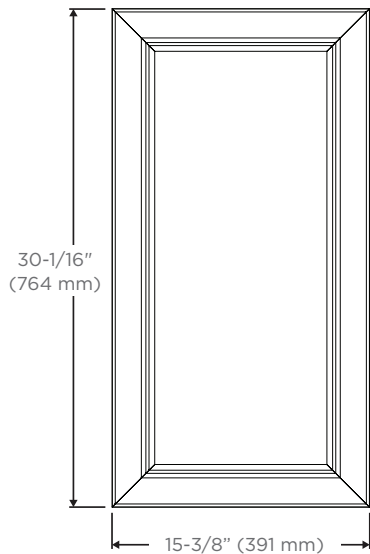
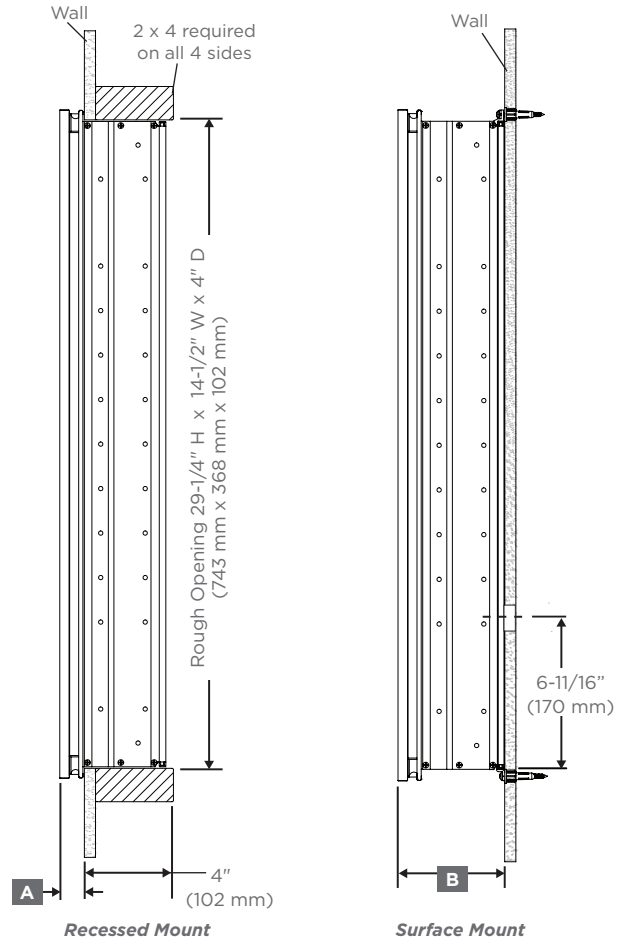
- Includes one 15A 110VAC (2 plugs)
- Field wire location as shown in drawing
- 1/2" conduit (Ø 7/8" actual) electrical knockout location shown below

## Optional Accessories

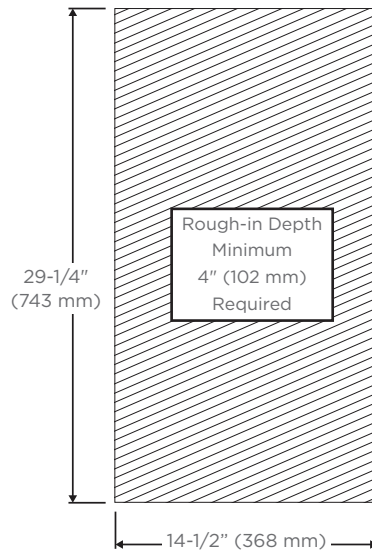
- Safety Lock Box - SLB
- Glass Bins
- Pull-out Magnifying Mirror - POMM
- Swing out Magnifying Mirror - SOMM
- Push-to-open Kit

### Dimensions projected from wall

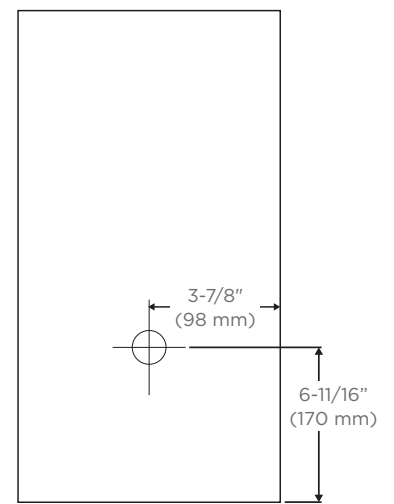
|           |  | Recessed Mount  |                 |                   |                 |
|-----------|--|-----------------|-----------------|-------------------|-----------------|
|           |  | Bryn Mawr       | Rosemont        | Merion            | Penn Valley     |
| <b>A=</b> |  |                 |                 |                   |                 |
|           |  | 1-1/8" (29 mm)  | 1-3/8" (35 mm)  | 1-1/16" (27 mm)   | 1-1/8" (29 mm)  |
|           |  | Surface Mount   |                 |                   |                 |
|           |  | Bryn Mawr       | Rosemont        | Merion            | Penn Valley     |
| <b>B=</b> |  | 4-7/8" (124 mm) | 5-1/8" (130 mm) | 4-13/16" (122 mm) | 4-7/8" (124 mm) |



Cabinet Dimensions



Rough-in Dimensions



Back of Cabinet - Wire Access Location