

# 672 SERIES TWO-PIECE COMPANION FLANGE CLASS 150 LEAD-FREE\*

## APPLICATIONS

- Potable water
- HVAC water-based systems – condensers, chilled water, hydronic heating
- Vacuum and compressed air systems
- Residential and commercial construction

## SPECIFICATIONS

- 200 psi non-shock CWP
- 275°F maximum operating temperature (non-steam)

## MATERIALS & CONSTRUCTION

- Steel companion flange (powder coated) with copper solder tube adapter
- Flange powder-coating creates a barrier between the steel and copper, preventing galvanic corrosion
- NIBCO lead-free\* wrought copper fittings are made from commercially pure copper mill products per ASTM B75 C12200

## DESIGN CRITERIA

- For use with ASTM B88 copper tube
- Third-party certified to NSF/ANSI 61 and 372
- Dezincification-resistant
- Lead-free\*
- Available in sizes 3/4", 1", 1 1/4", 1 1/2", 2", 2 1/2", 3", 4", 5" and 6" (solder connections)



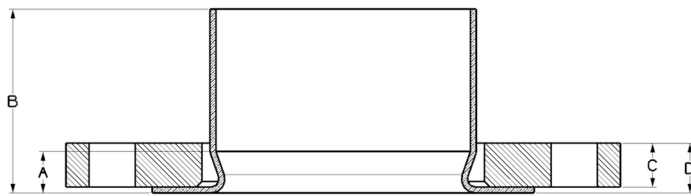
**672**

3/4" - 6"

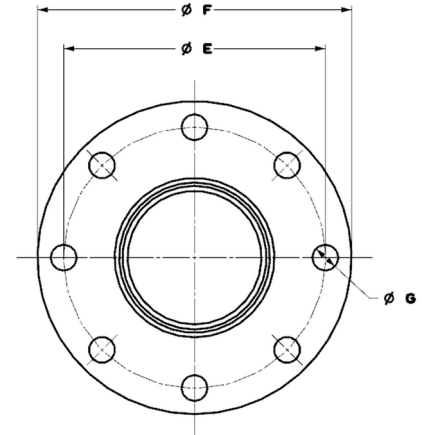
SIZE	MATERIAL No.	DESCRIPTION
3/4"	9405300	672 3/4 CLASS 150 2-PC COMPANION FLANGE
1"	9405350	672 1 CLASS 150 2-PC COMPANION FLANGE
1 1/4"	9405400	672 1-1/4 CLASS 150 2-PC COMPANION FLANGE
1 1/2"	9405450	672 1-1/2 CLASS 150 2-PC COMPANION FLANGE
2"	9405500	672 2 CLASS 150 2-PC COMPANION FLANGE
2 1/2"	9405550	672 2-1/2 CLASS 150 2-PC COMPANION FLANGE
3"	9405600	672 3 CLASS 150 2-PC COMPANION FLANGE
4"	9405700	672 4 CLASS 150 2-PC COMPANION FLANGE
5"	9405750	672 5 CLASS 150 2-PC COMPANION FLANGE
6"	9405800	672 6 CLASS 150 2-PC COMPANION FLANGE

\*Lead Free refers to the wetted surface of pipe, fittings and fixtures in potable water systems that have a weighted average lead content ≤ 0.25% per the Safe Drinking Water Act (Sec. 1417) amended 1-4-2011 and other equivalent state regulations.

# 672 Series – Class 150 Two-Piece Companion Flange



Section - Front View



Top View

SIZE		DIMENSIONS (INCHES)							WEIGHTS	
In.	mm	A	B	C	D	E	F	G	Lbs.	Kg.
¾"	20	1/4	1	0.44	15/32	2.75	3.88	0.620	1.27	0.576
1"	25	11/32	1-1/4	0.50	17/32	3.12	4.25	0.620	1.76	0.798
1 ¼"	32	7/32	1-3/16	0.56	19/32	3.50	4.62	0.620	2.28	1.034
1 ½"	40	11/32	1-7/16	0.63	11/16	3.88	5.00	0.620	3.06	1.388
2"	50	7/16	1-25/32	0.63	11/16	4.75	6.00	0.750	4.27	1.937
2 ½"	65	5/8	2-1/8	0.63	23/32	5.50	7.00	0.750	5.92	2.685
3"	80	15/32	2-5/32	0.63	23/32	6.00	7.50	0.750	6.82	3.093
4"	100	21/32	2-31/32	0.71	13/16	7.50	9.00	0.750	10.91	4.949
5"	125	29/32	3-19/32	0.75	27/32	8.50	10.00	0.875	13.92	6.314
6"	150	1-1/16	4-5/32	0.87	1	9.50	11.00	0.875	18.91	8.577

**LEGEND:**

**A** = bottom of raised face to tube stop  
**B** = overall height/length of flange  
**C** = flange thickness

**D** = bottom of raised face to top of flange  
**E** = bolt circle diameter  
**F** = flange diameter  
**G** = bolt hole diameter

\*Lead Free refers to the wetted surface of pipe, fittings and fixtures in potable water systems that have a weighted average lead content ≤ 0.25% per the Safe Drinking Water Act (Sec. 1417) amended 1-4-2011 and other equivalent state regulations.



**NIBCO INC.**  
**WORLD HEADQUARTERS**  
 WEB: www.nibco.com

1516 MIDDLEBURY STREET  
 ELKHART, IN 46516-4740  
 USA

DOMESTIC CUSTOMER SERVICE  
 PHONE: 800.234.0227  
 FAX: 800.234.0557

TECHNICAL SERVICE  
 PHONE: 888.446.4226  
 FAX: 888.336.4226

INTERNATIONAL OFFICE  
 PHONE: +1/574.295.3327  
 FAX: +1/574.295.3455