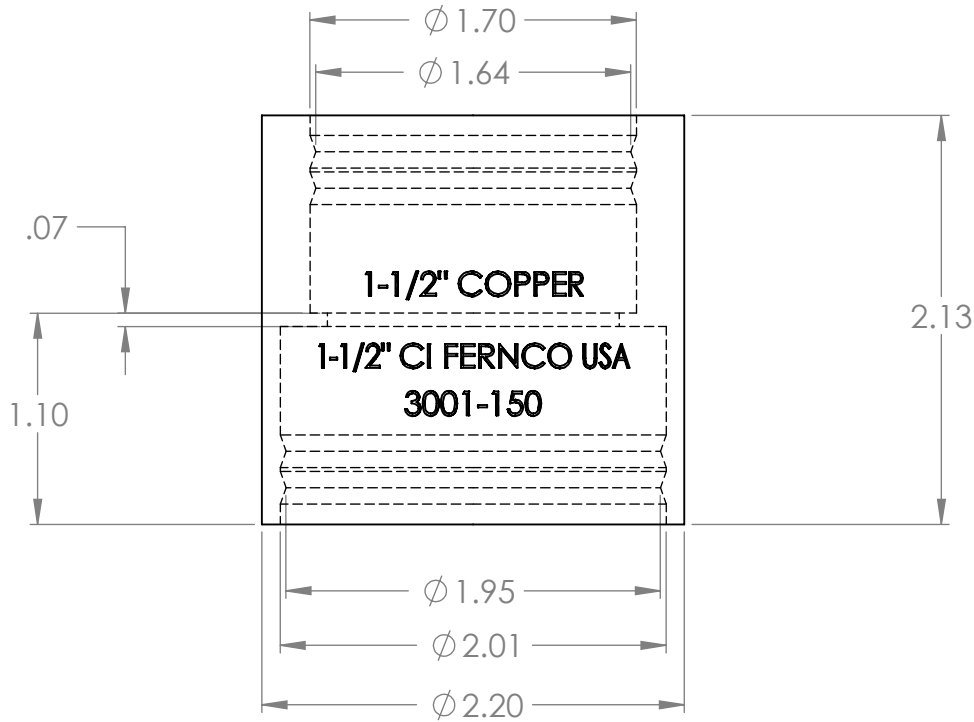
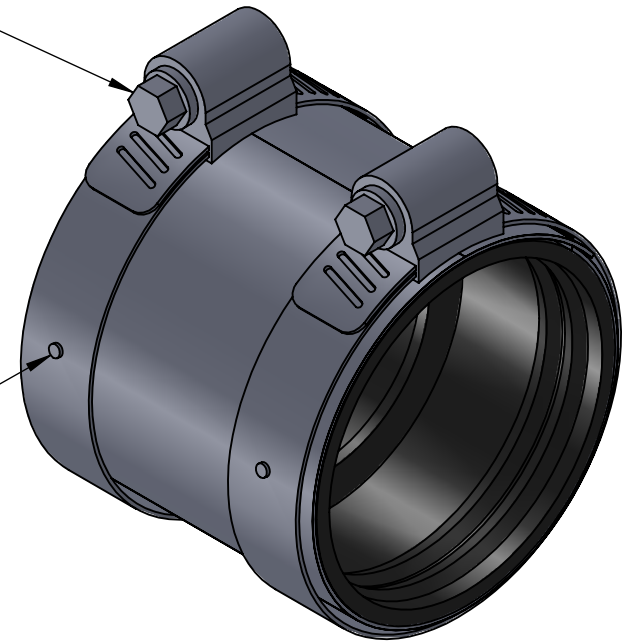


5/16" HEX

RIVETED
CONSTRUCTION



LEGEND:

CI = NO-HUB CAST IRON

PL = SCH. 40 PVC

ST = STEEL, IRON PIPE SIZE

XHCI = EXTRA HEAVY WEIGHT CAST IRON

The Information Contained in this Drawing is the Sole Property of Fernco. Any Reproduction in Part or in Whole without Written Permission is Prohibited.

Clamp/Shield: All 300 SS, Installation Torque 60 in-lb
Gasket Material: Rubber Complying to ASTM C564
Coupling: Complies to ASTM C 1460
Temperature Range: -30 °F to 180 °F
Drain, waste and Vent Use Only



FERNCO INC. DAVISON MI.

Tolerance:
Angular ± 3°
X = ± 0.09
.XX = ± 0.06

SHEET 1 OF 1
Dimensions
are in
Inches

Drawn by: SR

DATE: 3/26/2015

Part Number:

3001-150

Description:

1-1/2" CI, PL or ST to 1-1/2" Copper or 1-1/4" PL

Do Not Scale