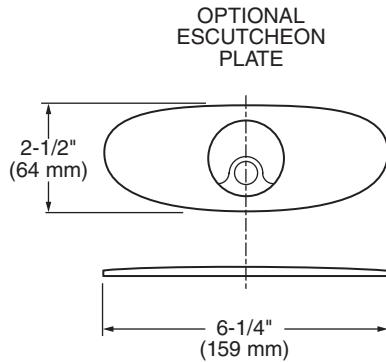
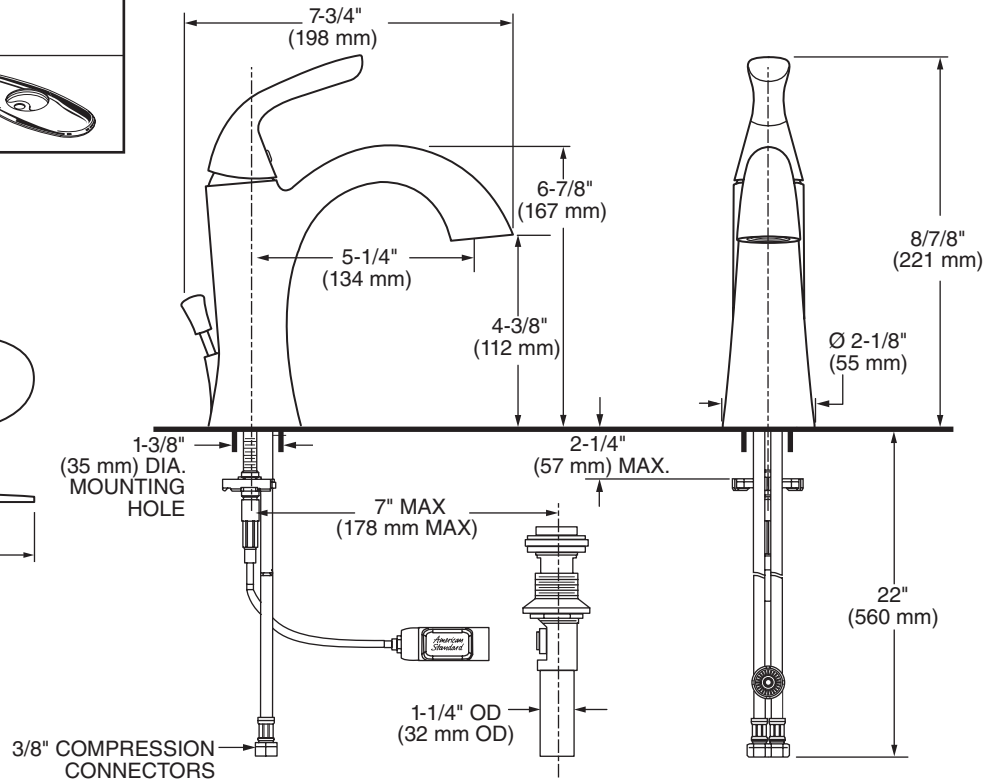




\*WaterSense® approval pending



OPTIONAL  
ESCUTCHEON  
PLATE



### GENERAL DESCRIPTION:

All metal body. Metal Lever handle. Washerless 35mm ceramic disc valve cartridge with integral hot limit safety stop. Braided flexible supply hoses with 3/8" compression connectors. 20 inch (500mm) long flexible stainless steel drain cable is pre-assembled to spout. Metal Speed Connect® drain body with 1-1/4 inch (32mm) tail piece. 1.5 gpm/5.7L/min. maximum flow rate. Fitting can be mounted on 4" centers using optional escutcheon (2000.102P) or single hole mounting method.

### PRODUCT FEATURES:

**Ceramic Disc Valve Cartridge:** Assures a lifetime of smooth handle operation and drip-free performance.

**Lead Free:** Faucet contains ≤0.25% total lead content by weighted average.

#### Exclusive Speed Connect Metal Drain:

- Fewer parts. Installs in less time.
- No adjustments required - seals the first time, every time.
- Flexible stainless steel cable - installs effortlessly in tight spaces.

**Choice of Finishes:** Wide range of durable finishes.

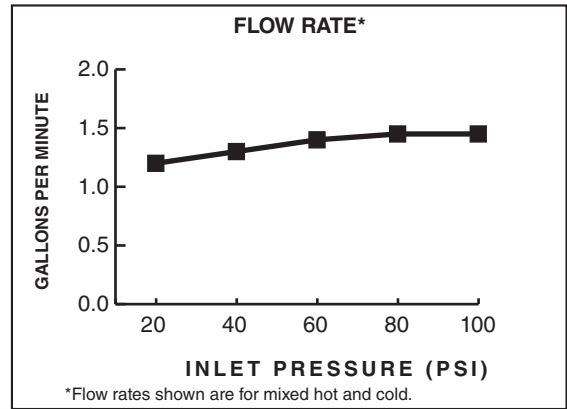
### SUGGESTED SPECIFICATION:


Single control lavatory faucet shall feature a brass swivel spout and metal lever handle. Shall also feature washerless ceramic disc valve cartridge. Shall also feature a metal drain body with stainless steel cable actuation. Fitting shall be American Standard Model # 7186.101.\_\_\_\_\_.


**CODES AND STANDARDS**

These products meet or exceed the following codes and standards:

- ANSI A117.1**
- ASME A112.18.1**
- NSF 61/Section 9 and Annex G**
- CSA B 125.1**



Product Number	Description	Finish Options		
		Polished Chrome	Oil Rubbed Bronze	Satin Nickel (PVD)
		002	224	295
7186.101	Fluent™ single control lavatory faucet. Metal Speed Connect® pop-up drain. 			
2000.102P	Optional Escutcheon Plate Only (For Mounting on 4" Centers)			

 Meets the American Disabilities Act Guidelines and **ANSI A117.1** Requirements for the physically challenged.