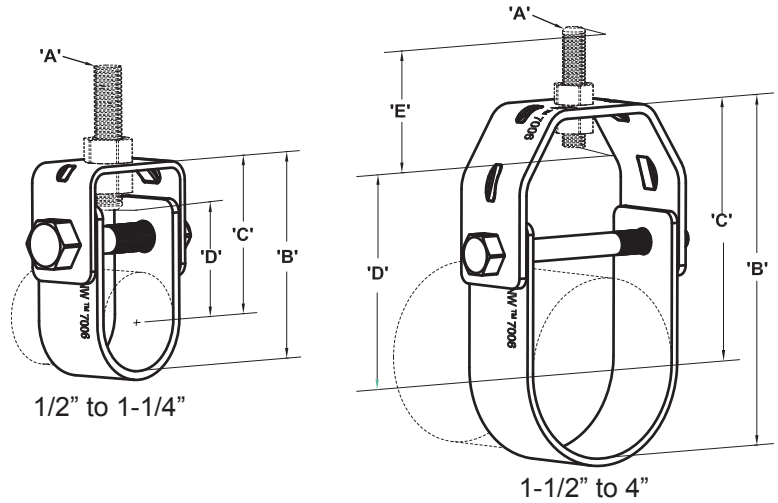


**FIGURE 7006P - Light Duty Adjustable Clevis Hangers**

Finish: Plain  
 Color: Black  
 MSS SP-58, Type 1  
 Federal Specification WW-H-171, Type 1



- A - Rod size (hanger rod and nuts not included)
- B - Bottom of pipe to top of hanger
- C - Center of pipe to top of hanger
- D - Rod take out (center of pipe to bottom of hanger rod)
- E - Minimum thread length of hanger rod
- F - Adjustment, top of cross bolt to bottom of hanger rod nut inside hanger

Catalog Number	Pipe Size		A (Rod Size)	B		C		D	
	in.	mm		in.	mm	in.	mm	in.	mm
FNW7006P0050	1/2	21.3	3/8	2.00	50.7	1.56	39.5	1.05	26.7
FNW7006P0075	3/4	26.7	3/8	2.43	61.7	1.87	47.5	1.37	34.7
FNW7006P0100	1	33.4	3/8	2.70	68.7	2.03	51.5	1.52	38.7
FNW7006P0125	1-1/4	42.2	3/8	3.25	82.5	2.37	60.2	1.86	47.2
FNW7006P0150	1-1/2	48.3	3/8	3.87	98.4	2.89	73.4	2.37	60.3
FNW7006P0200	2	60.3	3/8	5.61	142.4	4.37	110.9	3.85	97.8
FNW7006P0250	2-1/2	73.0	1/2	5.17	131.4	3.66	92.9	3.14	79.8
FNW7006P0300	3	88.9	1/2	5.84	148.4	3.96	100.7	3.45	87.6
FNW7006P0400	4	114.3	1/2	7.69	195.4	5.28	134.0	4.72	119.9

Catalog Number	Pipe Size		E		F		Bolt Size	Design Load		Weight Lbs.
	in.	mm	in.	mm	in.	mm		Lbs.	kN	
FNW7006P0050	1/2	21.3	2.50	63.50	0.30	7.6	1/4	150	0.67	0.09
FNW7006P0075	3/4	26.7	2.50	63.60	0.55	13.6	1/4	150	0.67	0.10
FNW7006P0100	1	33.4	2.50	63.60	0.55	13.6	1/4	250	1.11	0.11
FNW7006P0125	1-1/4	42.2	2.50	63.60	0.78	19.9	1/4	250	1.11	0.20
FNW7006P0150	1-1/2	48.3	2.50	63.60	1.12	28.5	1/4	250	1.11	0.25
FNW7006P0200	2	60.3	2.50	63.60	1.21	30.7	1/4	250	1.11	0.31
FNW7006P0250	2-1/2	73.0	2.50	63.60	1.19	27.6	3/8	350	1.56	0.51
FNW7006P0300	3	88.9	2.50	63.60	1.11	28.2	3/8	350	1.56	0.59
FNW7006P0400	4	114.3	2.50	63.60	1.88	47.8	3/8	400	1.78	1.00