

# FIGURE 7005P HANGERS



## STANDARD DUTY ADJUSTABLE CLEVIS HANGERS

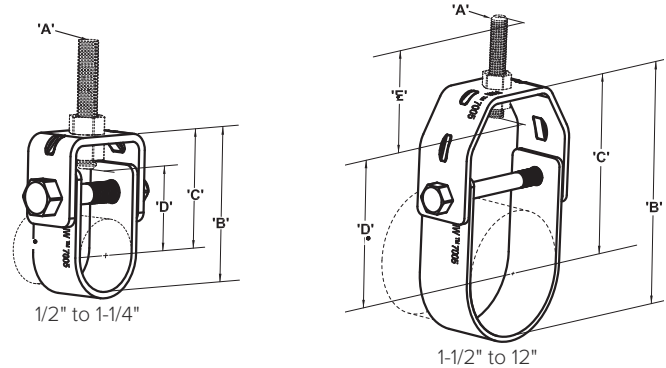
### FEATURES

- Finish - Plain
- Color - Black

### PRODUCT SPECIFICATIONS

#### Standards

- Design - MSS SP-58, Type 1
- Federal Specification - WW-H-171, Type 1



**Note:** A - Rod size (hanger rod and nuts not included), B - Bottom of pipe to top of hanger, C - Center of pipe to top of hanger, D - Rod take out (center of pipe to bottom of hanger rod), E - Minimum thread length of hanger rod, F - Adjustment, top of cross bolt to bottom of hanger

### DIMENSIONS

| Catalog Number | Pipe Size |       | A<br>Rod Size | B     |       | C     |     | D     |       |
|----------------|-----------|-------|---------------|-------|-------|-------|-----|-------|-------|
|                | in.       | mm    |               | in.   | mm    | in.   | mm  | in.   | mm    |
| FNW7005P0050   | 1/2       | 21.3  | 3/8"-16       | 2.05  | 52    | 1.61  | 41  | 0.98  | 25    |
| FNW7005P0075   | 3/4       | 26.7  | 3/8"-16       | 2.32  | 59    | 1.77  | 45  | 1.14  | 29    |
| FNW7005P0100   | 1         | 33.4  | 3/8"-16       | 2.64  | 67    | 1.97  | 50  | 1.34  | 34    |
| FNW7005P0125   | 1-1/4     | 42.2  | 3/8"-16       | 3.23  | 82    | 2.40  | 61  | 1.77  | 45    |
| FNW7005P0150   | 1-1/2     | 48.3  | 3/8"-16       | 3.86  | 98    | 2.87  | 73  | 2.24  | 57    |
| FNW7005P0200   | 2         | 60.3  | 3/8"-16       | 4.41  | 112   | 3.23  | 82  | 2.60  | 66    |
| FNW7005P0250   | 2-1/2     | 73.0  | 1/2"-13       | 5.12  | 130   | 3.62  | 92  | 2.80  | 71    |
| FNW7005P0300   | 3         | 88.9  | 1/2"-13       | 5.87  | 149   | 4.13  | 105 | 3.31  | 84    |
| FNW7005P0400   | 4         | 114.3 | 5/8"-11       | 7.64  | 194   | 5.39  | 137 | 4.33  | 110   |
| FNW7005P0500   | 5         | 141.3 | 5/8"-11       | 9.59  | 243.5 | 6.81  | 173 | 5.69  | 144.5 |
| FNW7005P0600   | 6         | 168.3 | 3/4"-10       | 11.56 | 293.5 | 8.23  | 209 | 6.87  | 174.5 |
| FNW7005P0800   | 8         | 219.1 | 3/4"-10       | 13.88 | 352.5 | 9.53  | 242 | 8.17  | 207.5 |
| FNW7005P1000   | 10        | 273.0 | 7/8"-9        | 16.93 | 430   | 11.46 | 291 | 10.00 | 254   |
| FNW7005P1200   | 12        | 323.9 | 7/8"-9        | 19.76 | 502   | 13.27 | 337 | 11.73 | 298   |
| FNW7005Z1200   | 12        | 323.9 | 7/8" - 9      | 19.76 | 502   | 13.27 | 337 | 11.73 | 298   |

| Catalog Number | Pipe Size |       | E    |       | F    |      | Bolt Size    | Design Load |      | Weight |       |
|----------------|-----------|-------|------|-------|------|------|--------------|-------------|------|--------|-------|
|                | in.       | mm    | in.  | mm    | in.  | mm   |              | Lbs.        | kN   | Lbs.   | Kg    |
| FNW7005P0050   | 1/2       | 21.3  | 2.50 | 63.5  | 0.45 | 11.5 | 1/4"-20UNC   | 610         | 2.71 | 0.15   | 0.07  |
| FNW7005P0075   | 3/4       | 26.7  | 2.50 | 63.5  | 0.51 | 13   | 1/4"-20UNC   | 610         | 2.71 | 0.18   | 0.08  |
| FNW7005P0100   | 1         | 33.4  | 2.50 | 63.5  | 0.55 | 14   | 1/4"-20UNC   | 729         | 3.24 | 0.20   | 0.09  |
| FNW7005P0125   | 1-1/4     | 42.2  | 2.50 | 63.5  | 0.83 | 21   | 1/4"-20UNC   | 729         | 3.24 | 0.24   | 0.11  |
| FNW7005P0150   | 1-1/2     | 48.3  | 2.50 | 63.5  | 1.18 | 30   | 1/4"-20UNC   | 729         | 3.24 | 0.26   | 0.12  |
| FNW7005P0200   | 2         | 60.3  | 2.50 | 63.5  | 1.18 | 30   | 1/4"-20UNC   | 729         | 3.24 | 0.31   | 0.14  |
| FNW7005P0250   | 2-1/2     | 73.0  | 2.50 | 63.5  | 0.98 | 25   | 3/8"-16UNC   | 1350        | 6    | 0.82   | 0.37  |
| FNW7005P0300   | 3         | 88.9  | 2.50 | 63.5  | 1.22 | 31   | 3/8"-16UNC   | 1350        | 6    | 0.93   | 0.42  |
| FNW7005P0400   | 4         | 114.3 | 2.50 | 63.5  | 1.73 | 44   | 3/8"-16UNC   | 1431        | 6.36 | 1.30   | 0.59  |
| FNW7005P0500   | 5         | 141.3 | 2.50 | 63.5  | 2.36 | 60   | 1/2"-13UNC   | 1431        | 6.36 | 2.25   | 1.02  |
| FNW7005P0600   | 6         | 168.3 | 3.00 | 76.2  | 3.07 | 78   | 1/2"-13UNC   | 1942        | 8.63 | 3.26   | 1.48  |
| FNW7005P0800   | 8         | 219.1 | 3.50 | 88.9  | 3.07 | 78   | 5/8"-11UNC   | 2000        | 8.89 | 4.92   | 2.23  |
| FNW7005P1000   | 10        | 273.0 | 3.50 | 88.9  | 3.31 | 84   | 3/4"-10UNC   | 3600        | 16   | 8.82   | 4     |
| FNW7005P1200   | 12        | 323.9 | 3.50 | 88.9  | 3.98 | 101  | 3/4"-10UNC   | 3803        | 16.9 | 11.74  | 5.323 |
| FNW7005Z1200   | 12        | 323.9 | 3.5  | 88.90 | 3.98 | 101  | 3/4" - 10UNC | 3803        | 16.9 | 11.74  | 5.323 |

# FIGURE 7005P HANGERS



## STANDARD DUTY LARGE DIAMETER ADJUSTABLE CLEVIS HANGER

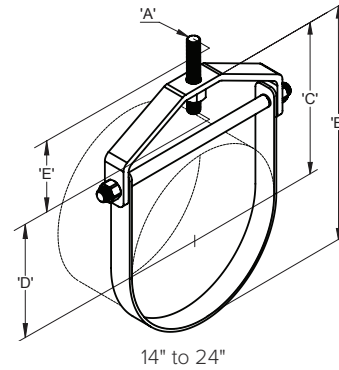
### FEATURES

- Finish - Plain
- Color - Black

### PRODUCT SPECIFICATIONS

#### Standards

- Design - MSS SP-58, Type 1
- Federal Specification - WW-H-171, Type 1



**Note:** A - Rod size (hanger rod and nuts not included), B - Bottom of pipe to top of hanger, C - Center of pipe to top of hanger, D - Rod take out (center of pipe to bottom of hanger rod), E - Minimum thread length of hanger rod, F - Adjustment, top of cross bolt to bottom of hanger rod nut inside hanger

### DIMENSIONS

| Catalog Number | Pipe Size |       | A<br>Rod Size | B     |     | C     |     | D     |     |
|----------------|-----------|-------|---------------|-------|-----|-------|-----|-------|-----|
|                | in.       | mm    |               | in.   | mm  | in.   | mm  | in.   | mm  |
| FNW7005P1400   | 14        | 355.6 | 7/8"-9        | 21.65 | 550 | 14.49 | 368 | 12.83 | 326 |
| FNW7005P1600   | 16        | 406.4 | 1-1/8"-7      | 24.49 | 622 | 16.34 | 415 | 14.29 | 363 |
| FNW7005P1800   | 18        | 457.0 | 1-1/8"-7      | 27.28 | 693 | 17.99 | 457 | 15.94 | 405 |
| FNW7005P2000   | 20        | 508.0 | 1-1/8"-7      | 29.65 | 753 | 19.41 | 493 | 17.36 | 441 |
| FNW7005P2400   | 24        | 610.0 | 1-1/8"-7      | 35.94 | 913 | 23.82 | 605 | 21.61 | 549 |

| Catalog Number | Pipe Size |       | E    |       | F    |     | Bolt Size   | Design Load |      | Weight |      |
|----------------|-----------|-------|------|-------|------|-----|-------------|-------------|------|--------|------|
|                | in.       | mm    | in.  | mm    | in.  | mm  |             | Lbs.        | kN   | Lbs.   | Kg   |
| FNW7005P1400   | 14        | 355.6 | 2.87 | 73.0  | 4.33 | 102 | 7/8"-9UNC   | 4185        | 18.6 | 13.89  | 6.3  |
| FNW7005P1600   | 16        | 406.4 | 3.37 | 85.7  | 5.12 | 114 | 7/8"-9UNC   | 4590        | 20.4 | 23.81  | 10.8 |
| FNW7005P1800   | 18        | 457.0 | 3.37 | 85.7  | 5.79 | 130 | 7/8"-9UNC   | 4793        | 21.3 | 25.57  | 11.6 |
| FNW7005P2000   | 20        | 508.0 | 4.81 | 122.2 | 6.22 | 141 | 7/8"-9UNC   | 4793        | 21.3 | 32.19  | 14.6 |
| FNW7005P2400   | 24        | 610.0 | 5.25 | 133.3 | 7.56 | 176 | 1-1/8"-7UNC | 4793        | 21.3 | 51.81  | 23.5 |