

FIGURE 7006Z HANGERS



LIGHT DUTY ADJUSTABLE CLEVIS HANGERS

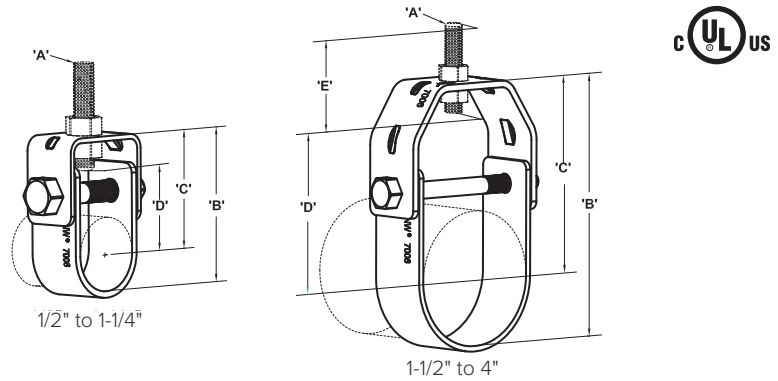
FEATURES

- Finish - Plated
- Color - Zinc
- UL Approved - sizes 1/2" to 4"

PRODUCT SPECIFICATIONS

Standards

- Design - MSS SP-58, Type 1
- Federal Specification - WW-H-171, Type 1



Note: A - Rod size (hanger rod and nuts not included), B - Bottom of pipe to top of hanger
 C - Center of pipe to top of hanger, D - Rod take out (center of pipe to bottom of hanger rod)
 E - Minimum thread length of hanger rod, F - Adjustment, top of cross bolt to bottom of hanger

DIMENSIONS

Catalog Number	Pipe Size		A Rod Size	B		C		D	
	in.	mm		in.	mm	in.	mm	in.	mm
FNW7006Z0050	1/2	21.3	3/8" - 16	2	50.7	1.56	39.5	0.94	24
FNW7006Z0075	3/4	26.7	3/8" - 16	2.43	61.7	1.87	47.5	1.26	32
FNW7006Z0100	1	33.4	3/8" - 16	2.70	68.7	2.03	51.5	1.42	36
FNW7006Z0125	1-1/4	42.2	3/8" - 16	3.25	82.5	2.37	60.2	1.75	44.5
FNW7006Z0150	1-1/2	48.3	3/8" - 16	3.87	98.4	2.89	73.4	2.26	57.5
FNW7006Z0200	2	60.3	3/8" - 16	4.43	112.4	3.19	81.0	2.58	65.5
FNW7006Z0250	2-1/2	73.0	1/2" - 13	5.17	131.4	3.66	92.9	2.87	73
FNW7006Z0300	3	88.9	1/2" - 13	5.84	148.4	3.96	100.7	3.19	81
FNW7006Z0400	4	114.3	1/2" - 13	7.69	193.8	5.20	132.0	4.37	111

Catalog Number	Pipe Size		E		F		Bolt Size	Design Load		Weight	
	in.	mm	in.	mm	in.	mm		Lbs.	kN	Lbs.	Kg
FNW7006Z0050	1/2	21.3	2.50	63.60	0.30	7.6	1/4"	150	0.67	0.10	0.0435
FNW7006Z0075	3/4	26.7	2.50	63.60	0.54	13.6	1/4"	150	0.67	0.11	0.0505
FNW7006Z0100	1	33.4	2.50	63.60	0.54	13.6	1/4"	250	1.11	0.12	0.0545
FNW7006Z0125	1-1/4	42.2	2.50	63.60	0.78	19.9	1/4"	250	1.11	0.21	0.0965
FNW7006Z0150	1-1/2	48.3	2.50	63.60	1.12	28.5	1/4"	250	1.11	0.22	0.1015
FNW7006Z0200	2	60.3	2.50	63.60	1.21	30.7	1/4"	250	1.11	0.26	0.1195
FNW7006Z0250	2-1/2	73.0	2.50	63.60	1.09	27.6	3/8"	350	1.56	0.43	0.1955
FNW7006Z0300	3	88.9	2.50	63.60	1.11	28.2	3/8"	350	1.56	0.49	0.2245
FNW7006Z0400	4	114.3	2.50	63.60	1.88	47.8	3/8"	400	1.78	0.89	0.4055