

# PFX472 Series



## Low-Lead Cold Expansion PEX Ball Valve

### Product Features

- Full Port two-piece ball valve
- 400 WOG
- Certified to NSF 372 requirements
- cUPC/NSF61 compliant
- PEX end designed to ASTM F-1960
- Not for use at or below ground level
- Operating temperature -4°F–212°F

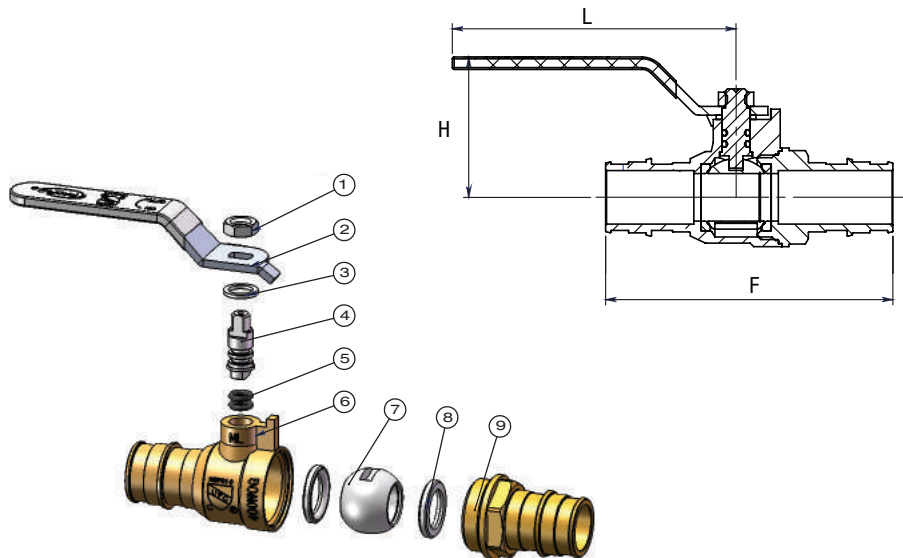


**PFX472G**

### Ball Valves Sizes 1/2" – 2"

Model No.	Description	L		H		F	
		in	mm	in	mm	in	mm
<b>PFX472D</b>	LF 1/2 BRS PROPEX F1960 BV	2.952	75	1.496	38	2.598	66
<b>PFX472F</b>	LF 3/4 BRS PROPEX F1960 BV	3.169	80.5	1.574	40	3.208	81.5
<b>PFX472G</b>	LF 1 BRS PROPEX F1960 BV	4.173	106	1.968	50	3.976	101
<b>PFX472H</b>	LF 1-1/4 BRS PROPEX F1960 BV	5.12	130	2.12	53.8	4.586	116.5
<b>PFX472J</b>	LF 1-1/2 BRS PROPEX F1960 BV	5.12	130	2.204	56	5.256	133.5
<b>PFX472K</b>	LF 2 BRS PROPEX F1960 BV	5.12	130	2.48	63	6.575	167

Item No.	Part Name	Qty	Material
1	Hex Nut	1	Steel
2	Handle	1	Steel
3	Washer	1	PTFE
4	Stem	1	Brass
5	O-ring	2	EPDM
6	Body	1	Brass
7	Ball	1	Brass
8	Seats	2	PTFE
9	End adapter	1	Brass



### Warranty and Codes

This PROFLO product carries a 1-year limited warranty.

