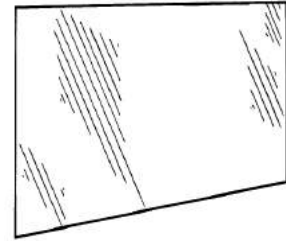




MEDICINE CABINETS

# SPECIFICATION SHEET

## WM3636BVBP3 Wall Mirror

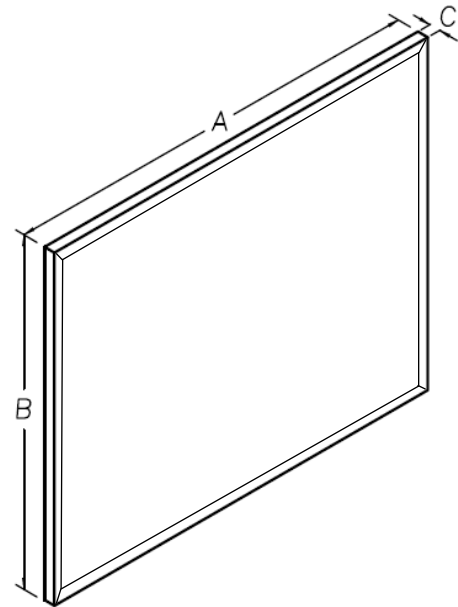


### FEATURES/TYPICAL SPECIFICATIONS

- Surface Mount Installation
- 5/32" thick float glass mirror with 1/2" beveled edge, 4 sides
- Silver mirror with IR cured, protective paint backing
- Overall Weight: 17.9 lbs
- Manufactured in accordance with ASTM C 1036 and C 1503
- Point of Origin: USA
- Individually packaged
- Shipped as part of a 3 mirror bulk pack
- Mounting hardware available for purchase separately

#### Finishes:

- Housing: N/A
- Mirror: 1/2" Bevel
- Frame: Frameless



|             |                                       | Dimensions In Inches |        |       |
|-------------|---------------------------------------|----------------------|--------|-------|
| Model #     | Description                           | A                    | B      | C     |
| WM3636BVBP3 | 36 X 36 1/2BV MIRROR<br>MASTER PACK 3 | 35.938               | 35.938 | 0.156 |

| REFERENCE | QTY. | REMARKS | Project  |
|-----------|------|---------|--|
|           |      |         | Location   |
|           |      |         | Architect  |
|           |      |         | Engineer   |
|           |      |         | Contractor   |
|           |      |         | Submitted by <span style="float: right;">Date</span> |

\* All models and material specifications are subject to change or withdrawal without notice.

SWM3636BVBP3\_A00