

Submittal Data Information

SmartPlug Instant Hot Water Control®

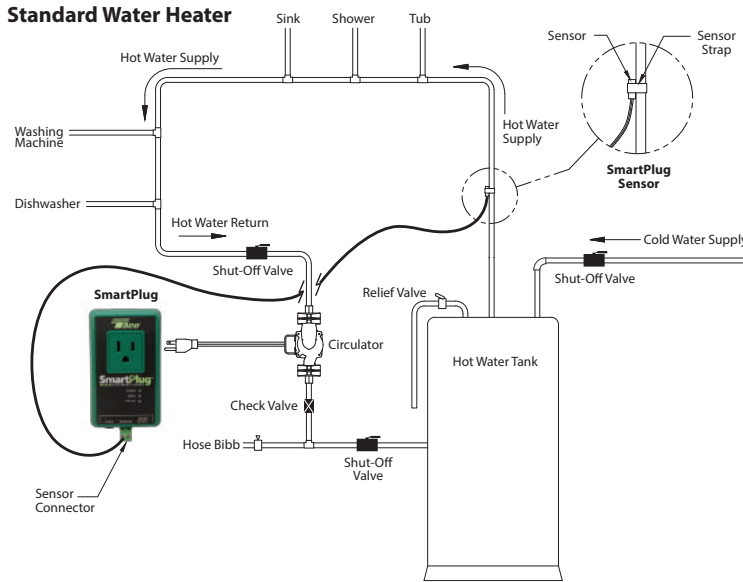
101-179

Effective: December 21, 2016

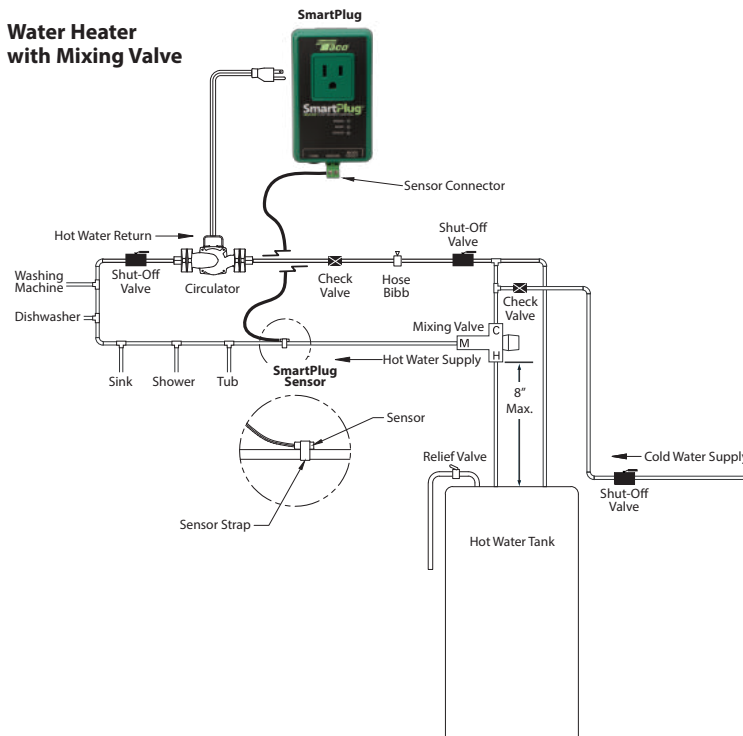
Supersedes: October 14, 2016

Job: _____ Engineer: _____ Contractor: _____ Rep: _____

ITEM NO.	MODEL NO.



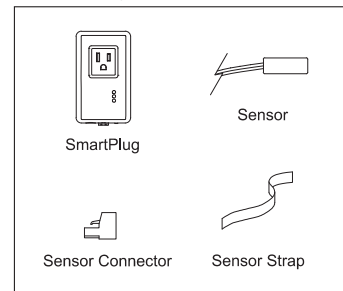
Piping diagrams for reference only.



Specifications

- Input: 120VAC, 50/60HZ, single phase, 6A
- Output: 120VAC, 50/60HZ, Single phase, 1/2 hp (limited to 6 FLA, 36LRA)
- Sensor: NTC Thermistor, 10K ohm @ 77°F, B= 3392
- Fuse: 125V, 6A, Medium Acting 5x20 mm glass, Littelfuse® p/n 0233006 mxp
- Ambient Operating Temp: 50-104°F, 10-40°C

SmartPlug Components



UL US FOR INDOOR USE ONLY

