

SUBMITTAL PACKAGE

Dimensional Documentation

Published 01JAN17 (Revised 15SEPT17)

"Apollo" Piping Systems

"Apollo"®

POWERPRESS

Approved Applications



Hydronic Heating



Chilled Water



Compressed Air



Low Pressure Steam



Fire Sprinkler **(Coming Soon)**



Fuel Gas **(Gas Series Only | HNBR)**

**NON-
GAS
VALVES &
FITTINGS**

89FV Series

Non-Gas PowerPress Ball Valve

SUBMITTAL SHEET

"Apollo" POWERPRESS



Job Name:	
Job Location:	
Engineer:	
Contractor:	
Tag:	
PO#:	
Rep:	
Wholesale Dist.:	

The Apollo PowerPress 89FV Ball Valve is ideal for installation in chilled water, compressed air, hydronic heating and fire sprinkler (coming soon) applications. This valve design significantly reduces installation time and helps maintain a clean working environment. The ApolloPowerPress is designed for steel pipe, schedules 10 to 40, as defined by ASTM A53, A106, A135 and A795 standards.

FEATURES

- Patented Visual Inspection Ring & Indicator (Green)
- EPDM O-ring
- Full-Port Flow
- Adjustable Stem Packing
- Fast, Reliable, Economical Press Installation
- Ridgid® & Milwaukee Press Tool Compatible
- Leak Before Press® Technology
- Blow-Out Proof Stem
- Corrosion Resistant Materials
- 100% Factory Tested
- Silicone Free Assembly
- Made in USA, ARRA Compliant

PERFORMANCE RATING

- Maximum Operating Pressure 200 psi
- Temperature Range: -40°F - 302°F

APPROVED APPLICATIONS

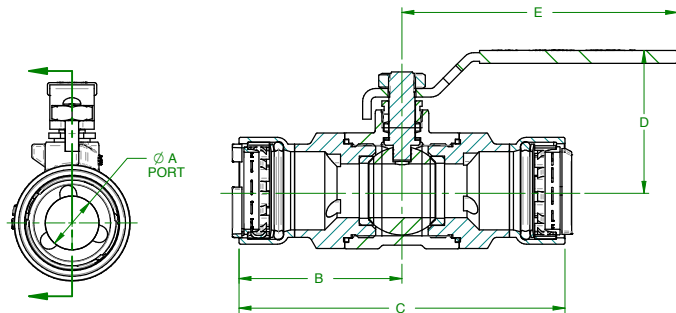
- Chilled Water
- Hydronic Heating (50% glycol max)
- Low Pressure Steam, 15 psi max
- Compressed Air
- Fire Sprinkler Applications (Coming Soon)
- Not suitable for flammable gas service

OPTIONS

- 01: Standard (PTFE Packing, RPTFE Body Seal)
- 02: Grounded Stem
- 04: 2-1/4 inch Stem Extension
- 11: THERMA-SEAL® Insulating Tee Handle
- 14: Side Vented Ball (Uni-Directional)
- 24: Graphite Stem Packing
- 27: SS Latch-Lock Lever and Nut
- 32: SS Tee Handle and Nut
- 39: SS Hi-Rise Locking Wheel Handle with SS Nut
- 45: Less Lever and Nut
- 47: SS Latch Lock Oval Handle
- 48: SS Oval Handle (No Latch)
- 49: Assembled Dry
- 60: Grounded Ball and Stem

Dimensions (in)

Part Number	Description	Size	A	B	C	D	E	Wt (lbs.)
89FVE4301	89FV Ball Valve, Full-Port, Carbon Steel	1/2"	0.50	2.08	4.16	1.74	3.85	0.6
89FVE4401	89FV Ball Valve, Full-Port, Carbon Steel	3/4"	0.75	2.28	4.55	1.96	3.85	0.9
89FVE4501	89FV Ball Valve, Full-Port, Carbon Steel	1"	1.00	2.72	5.44	2.29	4.76	1.4
89FVE4601	89FV Ball Valve, Full-Port, Carbon Steel	1-1/4"	1.25	3.41	6.82	3.20	7.76	4.2
89FVE4701	89FV Ball Valve, Full-Port, Carbon Steel	1-1/2"	1.50	3.62	7.24	3.30	7.76	4.8
89FVE4801	89FV Ball Valve, Full-Port, Carbon Steel	2"	2.00	3.93	7.85	3.68	7.76	7.2



STANDARD material specifications:

Part Name	Material
Body	ASTM A216-WCB Carbon Steel
Seat	Reinforced PTFE
Ball	ASTM A276-316 Stainless Steel
Stem Packing	Multi-Fill PTFE
Nut	Corrosion Resistant Plated Steel
Stem	ASTM A276-316 Stainless Steel
Retainer	ASTM A108-12L14 Carbon Steel
O-Ring	EPDM (Black)
Handle	Plated Steel/Insulated Polyvinyl
Gland	ASTM A108-1215 Carbon Steel
Stem Bearing	Reinforced PTFE
Body Seal	PTFE

Customer Service (704) 841-6000
www.apolloflowcontrols.com

This specification is provided for reference only. Apollo Flow Controls reserves the right to change any portion of this specification without notice and without incurring obligation to make such changes to Apollo products previously or subsequently sold. Please visit apolloflowcontrols.com for the most current information.



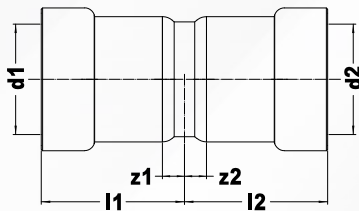
SUBMITTAL PACKAGE

Dimensional Documentation

"Apollo" Piping Systems

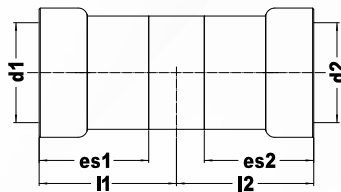
"Apollo"®

POWERPRESS



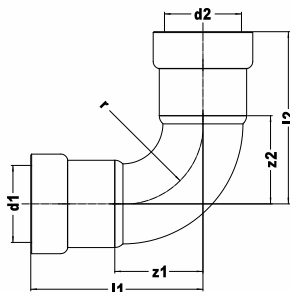
400 APOLLO POWERPRESS COUPLING WITH STOP (2 x Press)

Part No.	Nom. Size (inches)	l1/l2	z1/z2
PWR7480000	1/2	1.34	0.20
PWR7480011	3/4	1.48	0.24
PWR7480022	1	1.67	0.24
PWR7480033	1-1/4	2.20	0.28
PWR7480044	1-1/2	2.28	0.33
PWR7480055	2	2.40	0.31



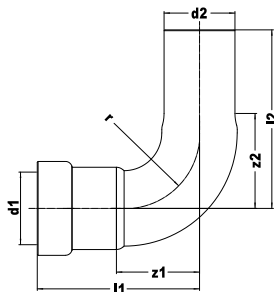
401 APOLLO POWERPRESS COUPLING WITHOUT STOP (2 X Press)

Part No.	Nom. Size (inches)	l1/l2	es1/es2
PWR7480066	1/2	1.54	1.14
PWR7480077	3/4	1.63	1.24
PWR7480088	1	1.83	1.44
PWR7480099	1-1/4	2.32	1.93
PWR7480101	1-1/2	2.46	1.95
PWR7480110	2	2.56	2.09



407 APOLLO POWERPRESS 90° ELBOW (2 x Press)

Part No.	Nom. Size (inches)	l1/l2	z1/z2	r
PWR7480121	1/2	2.17	1.02	0.98
PWR7480132	3/4	2.50	1.26	1.18
PWR7480143	1	3.01	1.57	1.50
PWR7480154	1-1/4	3.82	1.89	1.77
PWR7480165	1-1/2	4.09	2.15	1.97
PWR7480176	2	4.80	2.72	2.56



407-2 APOLLO POWERPRESS 90° STREET ELBOW (Press x Male)

Part No.	Nom. Size (inches)	l1	l2	z1	z2	r
PWR7480187	1/2	2.17	2.70	1.02	1.56	0.98
PWR7480198	3/4	2.50	2.95	1.26	1.71	1.18
PWR7480209	1	3.01	3.56	1.57	2.13	1.50
PWR7480211	1-1/4	3.82	4.19	1.89	2.26	1.77
PWR7480220	1-1/2	4.09	4.27	2.15	2.32	1.97
PWR7480231	2	4.80	5.30	2.72	3.21	2.56

Customer Service (704) 841-6000
www.apolloflowcontrols.com

This specification is provided for reference only. Apollo Flow Controls reserves the right to change any portion of this specification without notice and without incurring obligation to make such changes to Apollo products previously or subsequently sold. Please visit apolloflowcontrols.com for the most current information.



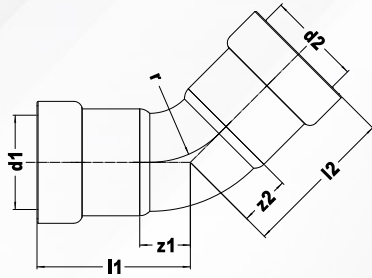
SUBMITTAL PACKAGE

Dimensional Documentation

"Apollo" Piping Systems

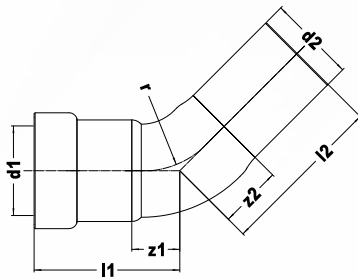
"Apollo"®

POWERPRESS



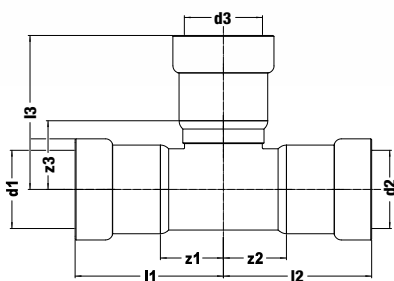
406 APOLLO POWERPRESS 45° ELBOW (2 x Press)

Part No.	Nom. Size (inches)	l1/l2	z1/z2	r
PWR7480242	1/2	1.59	0.45	0.98
PWR7480253	3/4	1.81	0.57	1.18
PWR7480264	1	2.13	0.69	1.50
PWR7480275	1-1/4	2.78	0.85	1.77
PWR7480286	1-1/2	2.93	0.98	1.97
PWR7480297	2	3.31	1.22	2.56



406-2 APOLLO POWERPRESS 45° STREET ELBOW (Press x Male)

Part No.	Nom. Size (inches)	l1	l2	z1	z2	r
PWR7480306	1/2 x 1/2	1.59	2.13	0.45	0.98	0.98
PWR7480319	3/4 x 3/4	1.81	2.26	0.57	1.02	1.18
PWR7480321	1 x 1	2.13	2.68	0.69	1.24	1.50
PWR7480330	1-1/4 x 1-1/4	2.78	3.15	0.85	1.22	1.77
PWR7480341	1-1/2 x 1-1/2	2.93	3.11	0.98	1.16	1.97
PWR7480352	2 x 2	3.31	3.80	1.22	1.71	2.56



411 APOLLO POWERPRESS TEE (3 x Press)

Part No.	Nom. Size (inches)	l1/l2	l3	z1/z2	z3
PWR7480363	1/2	2.05	2.09	0.91	1.02
PWR7480374	3/4	2.24	2.30	1.08	1.14
PWR7480385	1	2.60	2.66	1.24	1.30
PWR7480396	1-1/4	3.23	3.35	1.30	1.50
PWR7480407	1-1/2	3.48	3.50	1.61	1.63
PWR7480418	2	3.78	3.92	1.77	1.91

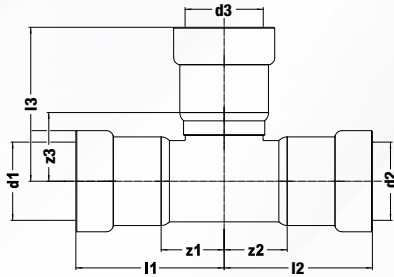
SUBMITTAL PACKAGE

Dimensional Documentation

Apollo® Piping Systems

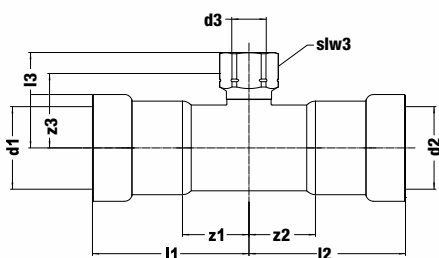
Apollo®

POWERPRESS



411R APOLLO POWERPRESS REDUCING OUTLET/BRANCH TEE (3 x Press)

Part No.	Nom. Size (inches)	l1/l2	l3	z1/z2	z3
PWR7480429	3/4 x 3/4 x 1/2	2.24	2.19	1.08	1.12
PWR7480431	1 x 1 x 1/2	2.60	2.34	1.24	1.28
PWR7480440	1 x 1 x 3/4	2.60	2.46	1.24	1.30
PWR7480451	1-1/4 x 1-1/4 x 1	3.23	2.31	1.38	1.46
PWR7480462	1-1/2 x 1-1/2 x 1/2	3.48	2.58	1.61	1.52
PWR7480473	1-1/2 x 1-1/2 x 3/4	3.48	2.69	1.61	1.53
PWR7480484	1-1/2 x 1-1/2 x 1	3.48	2.89	1.61	1.54
PWR7480495	1-1/2 x 1-1/2 x 1-1/4	3.48	2.43	1.61	1.57
PWR7480506	2 x 2 x 1/2	3.78	2.87	1.77	1.81
PWR7480517	2 x 2 x 3/4	3.78	2.99	1.77	1.83
PWR7480528	2 x 2 x 1	3.78	3.19	1.77	1.83
PWR7480539	2 x 2 x 1-1/4	3.78	3.72	1.77	1.87
PWR7480541	2 x 2 x 1-1/2	3.78	3.80	1.77	1.93



4712 APOLLO POWERPRESS TEE W/ FEMALE THREAD OUTLET BRANCH (Press x Female Thread x Press)

Part No.	Nom. Size (inches)	l1/l2	l3	z1/z2	z3	slw2
PWR7480550	3/4 x 3/4 x FPT 1/2	2.26	1.65	1.02	1.34	1.10
PWR7480561	3/4 x 3/4 x FPT 3/4	2.26	1.71	1.02	1.37	1.26
PWR7480572	1 x 1 x FPT 1/2	2.62	1.81	1.18	1.50	1.10
PWR7480583	1 x 1 x FPT 3/4	2.62	1.87	1.18	1.53	1.26
PWR7480594	1-1/4 x 1-1/4 x FPT 1/2	3.23	1.97	1.30	1.65	1.26
PWR7480605	1-1/2 x 1-1/2 x FPT 1/2	3.50	2.05	1.56	1.73	1.10
PWR7480616	1-1/2 x 1-1/2 x FPT 3/4	3.50	2.11	1.56	1.76	1.26
PWR7480627	1-1/2 x 1-1/2 x FPT 1	3.50	2.26	1.56	1.85	1.61
PWR7480638	1-1/2 x 1-1/2 x FPT 1-1/4	3.50	2.36	1.56	1.94	1.97
PWR7480649	2 x 2 x FPT 1/2	3.80	2.34	1.71	2.03	1.10
PWR7480651	2 x 2 x FPT 3/4	3.80	2.40	1.71	2.06	1.26
PWR7480660	2 x 2 x FPT 1	3.80	2.56	1.71	2.15	1.61
PWR7480671	2 x 2 x FPT 1-1/4	3.80	2.66	1.71	2.24	1.97
PWR7480682	2 x 2 x FPT 1-1/2	3.80	2.66	1.71	2.24	2.36

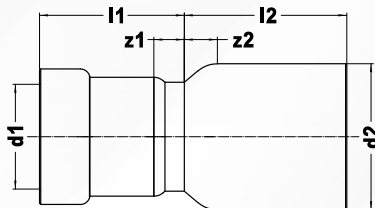
SUBMITTAL PACKAGE

Dimensional Documentation

"Apollo" Piping Systems

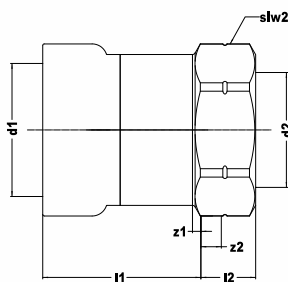
"Apollo"®

POWERPRESS



418 APOLLO POWERPRESS FITTING REDUCER (Male x Press)

Part No.	Nom. Size (inches)	l1	l2	z1	z2
PWR7480693	3/4 x 1/2	1.26	1.26	0.12	0.02
PWR7480704	1 x 1/2	1.26	1.44	0.12	0.00
PWR7480715	1 x 3/4	1.42	1.30	0.18	-0.14
PWR7480748	1-1/4 x 1	1.63	1.73	0.20	-0.20
PWR7480761	1-1/2 x 3/4	1.87	2.42	0.63	0.47
PWR7480770	1-1/2 x 1	1.63	1.79	0.20	-0.16
PWR7480781	1-1/2 x 1-1/4	2.17	1.67	0.24	-0.28
PWR7480814	2 x 1	2.07	2.64	0.63	0.55
PWR7480825	2 x 1-1/4	2.17	1.79	0.24	-0.30
PWR7480836	2 x 1-1/2	2.13	1.81	0.18	-0.28



403 APOLLO POWERPRESS FEMALE THREAD ADAPTER (Press x Female Thread)

Part No.	Nom. Size (inches)	l1	l2	z1	z2	slw2
PWR7480902	1/2 x FPT 1/2	1.22	0.61	0.08	0.00	1.10
PWR7480913	3/4 x FPT 1/2	1.30	0.67	0.06	0.06	1.42
PWR7480924	3/4 x FPT 3/4	1.32	0.63	0.08	0.00	1.42
PWR7480935	1 x FPT 1/2	1.57	0.67	0.14	0.06	1.61
PWR7480946	1 x FPT 3/4	1.52	0.69	0.08	0.06	1.61
PWR7480957	1 x FPT 1	1.54	0.75	0.10	0.00	1.61
PWR7480968	1-1/4 x FPT 1/2	2.17	0.67	0.24	0.06	1.97
PWR7480979	1-1/4 x FPT 3/4	2.11	0.69	0.18	0.06	1.97
PWR7480981	1-1/4 x FPT 1	2.03	0.83	0.10	0.08	1.97
PWR7480990	1-1/4 x FPT 1-1/4	1.91	0.89	0.00	0.00	1.97
PWR7481001	1-1/2 x FPT 1/2	2.26	0.67	0.31	0.06	2.36
PWR7481012	1-1/2 x FPT 3/4	2.20	0.69	0.26	0.06	2.36
PWR7481023	1-1/2 x FPT 1	2.13	0.83	0.18	0.08	2.36
PWR7481034	1-1/2 x FPT 1-1/4	2.03	0.85	0.08	0.08	2.36
PWR7481045	1-1/2 x FPT 1-1/2	2.05	0.77	0.10	0.00	2.36
PWR7481056	2 x FPT 1/2	2.54	0.67	0.45	0.06	2.76
PWR7481067	2 x FPT 3/4	2.48	0.69	0.39	0.06	2.76
PWR7481078	2 x FPT 1	2.40	0.83	0.31	0.08	2.76
PWR7481089	2 x FPT 1-1/4	2.30	0.85	0.22	0.08	2.76
PWR7481091	2 x FPT 1-1/2	2.22	0.85	0.14	0.08	2.76
PWR7481100	2 x FPT 2	2.19	0.79	0.10	0.00	2.76

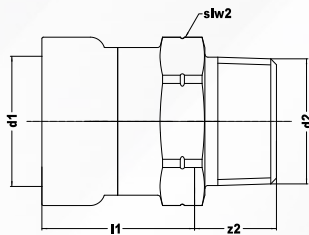
SUBMITTAL PACKAGE

Dimensional Documentation

"Apollo" Piping Systems

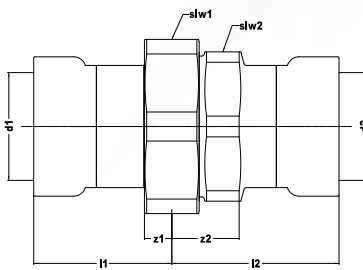
"Apollo"®

POWERPRESS



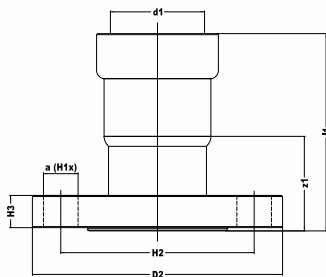
404 APOLLO POWERPRESS MALE THREAD ADAPTER (Press x Male Thread)

Part No.	Nom. Size (inches)	l1	z2	slw2
PWR7480847	1/2 x MPT 1/2	1.12	0.98	1.10
PWR7480858	3/4 x MPT 3/4	1.22	0.98	1.42
PWR7480869	1 x MPT 1	1.42	1.10	1.61
PWR7480871	1-1/4 x MPT 1-1/4	1.91	1.14	1.97
PWR7480880	1-1/2 x MPT 1-1/2	1.93	1.12	2.36
PWR7480891	2 x MPT 2	2.07	1.16	2.76



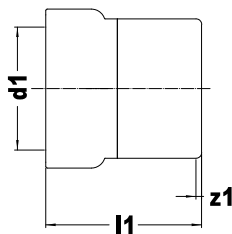
4733 APOLLO POWERPRESS UNION (Press x Press)

Part No.	Nom. Size (inches)	l1	l2	z1	z2	slw1	slw2
PWR7481111	1/2	1.73	0.59	2.11	1.14	1.61	0.45
PWR7481122	3/4	1.93	0.69	2.17	1.24	1.61	0.49
PWR7481133	1	2.20	0.77	2.48	1.44	2.17	0.57
PWR7481144	1-1/4	2.17	0.24	2.85	1.93	2.76	0.76
PWR7481155	1-1/2	3.03	1.08	2.81	1.95	2.76	0.77
PWR7481166	2	3.31	1.22	3.23	2.09	3.35	0.82



4771 APOLLO POWERPRESS FLANGE ADAPTER CLASS 150 (l x Press)

Part No.	Nom. Size (inches)	l1	l2	z1	z2	slw1	slw2	Holes
PWR7481177	1/2	2.44	0.39	1.30	0.40	3.54	0.63	4
PWR7481188	3/4	2.64	0.31	1.40	0.45	3.94	0.63	4
PWR7481199	1	2.95	0.22	1.52	0.51	4.33	0.63	4
PWR7481201	1-1/4	3.58	0.14	1.65	0.59	4.53	0.63	4
PWR7481210	1-1/2	3.82	0.10	1.37	0.65	4.92	0.63	4
PWR7481221	2	3.92	1.30	1.83	0.71	5.91	0.75	4



417 APOLLO POWERPRESS CAP (l x Press)

Part No.	Nom. Size (inches)	l1	z1
PWR7481232	1/2	1.40	0.26
PWR7481243	3/4	1.50	0.26
PWR7481254	1	1.71	0.28
PWR7481265	1-1/4	2.20	0.28
PWR7481276	1-1/2	2.28	0.33
PWR7481287	2	2.40	0.31

GAS VALVES & FITTINGS

89FV Series | Gas

PowerPress Ball Valve

SUBMITTAL SHEET

"Apollo" POWERPRESS



Job Name:	
Job Location:	
Engineer:	
Contractor:	
Tag:	
PO#:	
Rep:	
Wholesale Dist.:	

DESCRIPTION

The Apollo PowerPress 89FV Gas Ball Valve is ideal for installation in compressed air and fuel gas applications. This valve design significantly reduces installation time and helps maintain a clean working environment. The ApolloPowerPress is designed for steel pipe, schedules 10 to 40, as defined by ASTM A53, A106, A135 and A795 standards.

FEATURES

- Patented Visual Inspection Ring & Indicator (Yellow)
- HNBR O-ring
- Full-Port Flow
- Adjustable Stem Packing
- Fast, Reliable, Economical Press Installation
- Ridgid® & Milwaukee Press Tool Compatible
- Leak Before Press® Technology
- Blow-Out Proof Stem
- Corrosion Resistant Materials
- 100% Factory Tested
- Silicone Free Assembly
- Made in USA, ARRA Compliant

PERFORMANCE RATING

- Maximum Operating Pressure:
125 psi max for fuel gas applications
200 psi max for other approved applications
- Temperature Range: -40°F - 194°F

APPROVALS

- ANSI LC 4/CSA 6.32
- IAPMO LC 4

APPROVED APPLICATIONS

- Compressed Air
- Fuel Gas

OPTIONS

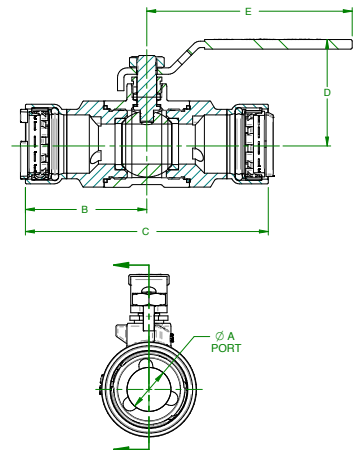
- 01: Standard (PTFE Packing, RPTFE Body Seal)
- 02: Grounded Stem
- 04: 2-1/4 inch Stem Extension
- 11: THERMA-SEAL® Insulating Tee Handle
- 14: Side Vented Ball (Uni-Directional)
- 24: Graphite Stem Packing
- 27: SS Latch-Lock Lever and Nut
- 32: SS Tee Handle and Nut
- 39: SS Hi-Rise Locking Wheel Handle with SS Nut
- 45: Less Lever and Nut
- 47: SS Latch Lock Oval Handle
- 48: SS Oval Handle (No Latch)
- 49: Assembled Dry
- 60: Grounded Ball and Stem

Dimensions (in)

Part Number	Description	Size	A	B	C	D	E	Wt (lbs.)
89FVH4301	89FV Ball Valve, Gas, Full-Port, Carbon Steel	1/2"	0.50	2.08	4.16	1.74	3.85	0.6
89FVH4401	89FV Ball Valve, Gas, Full-Port, Carbon Steel	3/4"	0.75	2.28	4.55	1.96	3.85	0.9
89FVH4501	89FV Ball Valve, Gas, Full-Port, Carbon Steel	1"	1.00	2.72	5.44	2.29	4.76	1.4
89FVH4601	89FV Ball Valve, Gas, Full-Port, Carbon Steel	1-1/4"	1.25	3.41	6.82	3.20	7.76	4.2
89FVH4701	89FV Ball Valve, Gas, Full-Port, Carbon Steel	1-1/2"	1.50	3.62	7.24	3.30	7.76	4.8
89FVH4801	89FV Ball Valve, Gas, Full-Port, Carbon Steel	2"	2.00	3.93	7.85	3.68	7.76	7.2
89FVH4324	89FV Ball Valve - Graphite Stem Packing, Gas, Full-Port, Carbon Steel	1/2"	0.50	2.08	4.16	1.74	3.85	0.6
89FVH4424	89FV Ball Valve - Graphite Stem Packing, Gas, Full-Port, Carbon Steel	3/4"	0.75	2.28	4.55	1.96	3.85	0.9
89FVH4524	89FV Ball Valve - Graphite Stem Packing, Gas, Full-Port, Carbon Steel	1"	1.00	2.72	5.44	2.29	4.76	1.4
89FVH4624	89FV Ball Valve - Graphite Stem Packing, Gas, Full-Port, Carbon Steel	1-1/4"	1.25	3.41	6.82	3.20	7.76	4.2
89FVH4724	89FV Ball Valve - Graphite Stem Packing, Gas, Full-Port, Carbon Steel	1-1/2"	1.50	3.62	7.24	3.30	7.76	4.8
89FVH4824	89FV Ball Valve - Graphite Stem Packing, Gas, Full-Port, Carbon Steel	2"	2.00	3.93	7.85	3.68	7.76	7.2

STANDARD MATERIAL SPECIFICATIONS:

Body	ASTM A216-WCB Carbon Steel
Seat	Reinforced PTFE
Ball	ASTM A276-316 Stainless Steel
Stem Packing	Multi-Fill PTFE
Nut	Corrosion Resistant Plated Steel
Stem	ASTM A276-316 Stainless Steel
Retainer	ASTM A108-12L14 Carbon Steel
O-Ring	HNBR (Yellow)
Handle	Plated Steel/Insulated Polyvinyl
Gland	ASTM A108-1215 Carbon Steel
Stem Bearing	Reinforced PTFE
Body Seal	PTFE



Customer Service (704) 841-6000
www.apolloflowcontrols.com

This specification is provided for reference only. Apollo Flow Controls reserves the right to change any portion of this specification without notice and without incurring obligation to make such changes to Apollo products previously or subsequently sold. Please visit apolloflowcontrols.com for the most current information.



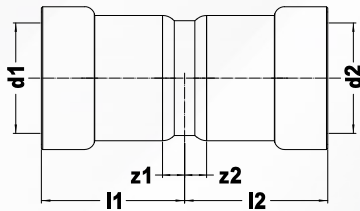
SUBMITTAL PACKAGE

Dimensional Documentation

"Apollo" Piping Systems

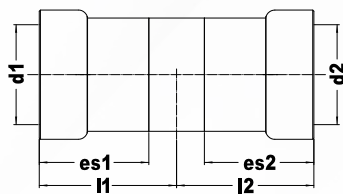
"Apollo"®

POWERPRESS



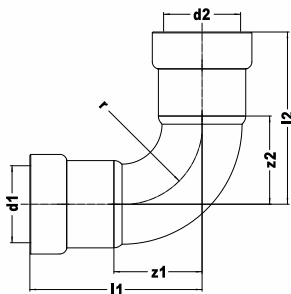
400G APOLLO POWERPRESS GAS COUPLING WITH STOP (2 x Press)

Part No.	Nom. Size (inches)	l1/l2	z1/z2
PWR7481298	1/2	1.34	0.20
PWR7481309	3/4	1.48	0.24
PWR7481311	1	1.67	0.24
PWR7481320	1-1/4	2.20	0.28
PWR7481331	1-1/2	2.28	0.33
PWR7481342	2	2.40	0.31



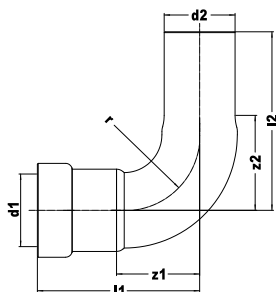
401G APOLLO POWERPRESS GAS COUPLING WITHOUT STOP (2 x Press)

Part No.	Nom. Size (inches)	l1/l2	es1/es2
PWR7481353	1/2	1.54	1.14
PWR7481364	3/4	1.63	1.24
PWR7481375	1	1.83	1.44
PWR7481386	1-1/4	2.32	1.93
PWR7481397	1-1/2	2.46	1.95
PWR7481408	2	2.56	2.09



407G APOLLO POWERPRESS GAS 90° ELBOW (2 x Press)

Part No.	Nom. Size (inches)	l1/l2	z1/z2	r
PWR7481419	1/2	2.17	1.02	0.98
PWR7481421	3/4	2.50	1.26	1.18
PWR7481430	1	3.01	1.57	1.50
PWR7481441	1-1/4	3.82	1.89	1.77
PWR7481452	1-1/2	4.09	2.15	1.97
PWR7481463	2	4.80	2.72	2.56



407-2G APOLLO POWERPRESS GAS 90° STREET ELBOW

Part No.	Nom. Size (inches)	l1	l2	z1	z2	r
PWR7481474	1/2	2.17	2.70	1.02	1.56	0.98
PWR7481485	3/4	2.50	2.95	1.26	1.71	1.18
PWR7481496	1	3.01	3.56	1.57	2.13	1.50
PWR7481507	1-1/4	3.82	4.19	1.89	2.26	1.77
PWR7481518	1-1/2	4.09	4.27	2.15	2.32	1.97
PWR7481529	2	4.80	5.30	2.72	3.21	2.56

Customer Service (704) 841-6000
www.apolloflowcontrols.com

This specification is provided for reference only. Apollo Flow Controls reserves the right to change any portion of this specification without notice and without incurring obligation to make such changes to Apollo products previously or subsequently sold. Please visit apolloflowcontrols.com for the most current information.



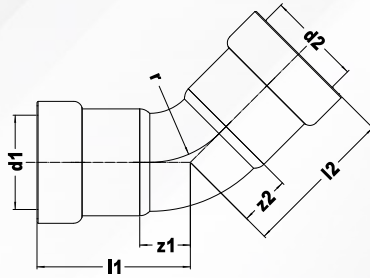
SUBMITTAL PACKAGE

Dimensional Documentation

"Apollo" Piping Systems

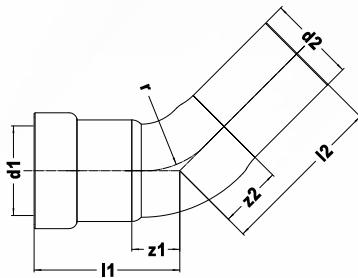
"Apollo"®

POWERPRESS



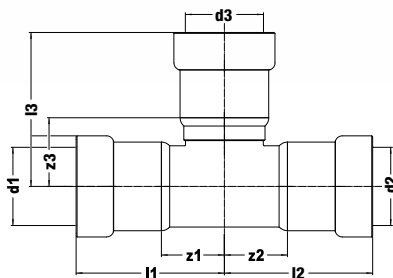
406G APOLLO POWERPRESS GAS 45° ELBOW (2 x Press)

Part No.	Nom. Size (inches)	l1/l2	z1/z2	r
PWR7481531	1/2	1.59	0.45	0.98
PWR7481540	3/4	1.81	0.57	1.18
PWR7481551	1	2.13	0.69	1.50
PWR7481562	1-1/4	2.78	0.85	1.77
PWR7481573	1-1/2	2.93	0.98	1.97
PWR7481584	2	3.31	1.22	2.56



406-2G APOLLO POWERPRESS GAS 45° STREET ELBOW (Press x Male)

Part No.	Nom. Size (inches)	l1	l2	z1	z2	r
PWR7481595	1/2 x 1/2	1.59	2.13	0.45	0.98	0.98
PWR7481606	3/4 x 3/4	1.81	2.26	0.57	1.02	1.18
PWR7481617	1 x 1	2.13	2.68	0.69	1.24	1.50
PWR7481628	1-1/4 x 1-1/4	2.78	3.15	0.85	1.22	1.77
PWR7481639	1-1/2 x 1-1/2	2.93	3.11	0.98	1.16	1.97
PWR7481641	2 x 2	3.31	3.80	1.22	1.71	2.56



411G APOLLO POWERPRESS GAS TEE (3 x Press)

Part No.	Nom. Size (inches)	l1/l2	l3	z1/z2	z3
PWR7481650	1/2	2.05	2.09	0.91	1.02
PWR7481661	3/4	2.24	2.30	1.08	1.14
PWR7481672	1	2.60	2.66	1.24	1.30
PWR7481683	1-1/4	3.23	3.35	1.30	1.50
PWR7481694	1-1/2	3.48	3.50	1.61	1.63
PWR7481705	2	3.78	3.92	1.77	1.91

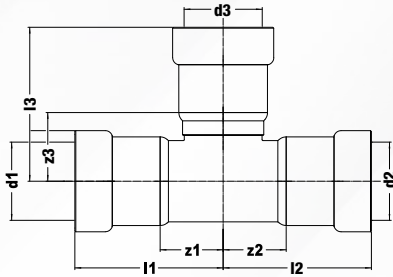
SUBMITTAL PACKAGE

Dimensional Documentation

Apollo® Piping Systems

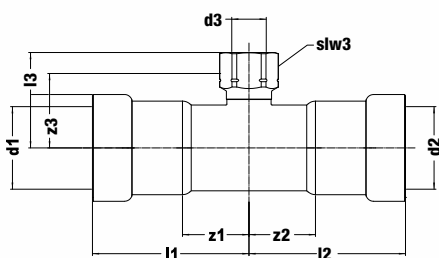
Apollo®

POWERPRESS



411RG APOLLO POWERPRESS GAS REDUCING OUTLET/BRANCH TEE (3 x Press)

Part No.	Nom. Size (inches)	l1/l2	l3	z1/z2	z3
PWR7481716	3/4 x 3/4 x 1/2	2.24	2.19	1.08	1.12
PWR7481727	1 x 1 x 1/2	2.60	2.34	1.24	1.28
PWR7481738	1 x 1 x 3/4	2.60	2.46	1.24	1.30
PWR7481749	1-1/4 x 1-1/4 x 1	3.23	2.31	1.38	1.46
PWR7481751	1-1/2 x 1-1/2 x 1/2	3.48	2.58	1.61	1.52
PWR7481760	1-1/2 x 1-1/2 x 3/4	3.48	2.69	1.61	1.53
PWR7481771	1-1/2 x 1-1/2 x 1	3.48	2.89	1.61	1.54
PWR7481782	1-1/2 x 1-1/2 x 1-1/4	3.48	2.43	1.61	1.57
PWR7481793	2 x 2 x 1/2	3.78	2.87	1.77	1.81
PWR7481804	2 x 2 x 3/4	3.78	2.99	1.77	1.83
PWR7481815	2 x 2 x 1	3.78	3.19	1.77	1.83
PWR7481826	2 x 2 x 1-1/4	3.78	3.72	1.77	1.87
PWR7481837	2 x 2 x 1-1/2	3.78	3.80	1.77	1.93



4712G APOLLO POWERPRESS GAS TEE W/FEMALE THREAD OUTLET/BRANCH (Press x Female Thread x Press)

Part No.	Nom. Size (inches)	l1/l2	l3	z1/z2	z3	slw2
PWR7480550	3/4 x 3/4 x FPT 1/2	2.26	1.65	1.02	1.34	1.10
PWR7480561	3/4 x 3/4 x FPT 3/4	2.26	1.71	1.02	1.37	1.26
PWR7480572	1 x 1 x FPT 1/2	2.62	1.81	1.18	1.50	1.10
PWR7480583	1 x 1 x FPT 3/4	2.62	1.87	1.18	1.53	1.26
PWR7480594	1-1/4 x 1-1/4 x FPT 1/2	3.23	1.97	1.30	1.65	1.26
PWR7480605	1-1/2 x 1-1/2 x FPT 1/2	3.50	2.05	1.56	1.73	1.10
PWR7480616	1-1/2 x 1-1/2 x FPT 3/4	3.50	2.11	1.56	1.76	1.26
PWR7480627	1-1/2 x 1-1/2 x FPT 1	3.50	2.26	1.56	1.85	1.61
PWR7480638	1-1/2 x 1-1/2 x FPT 1-1/4	3.50	2.36	1.56	1.94	1.97
PWR7480649	2 x 2 x FPT 1/2	3.80	2.34	1.71	2.03	1.10
PWR7480651	2 x 2 x FPT 3/4	3.80	2.40	1.71	2.06	1.26
PWR7480660	2 x 2 x FPT 1	3.80	2.56	1.71	2.15	1.61
PWR7480671	2 x 2 x FPT 1-1/4	3.80	2.66	1.71	2.24	1.97
PWR7480682	2 x 2 x FPT 1-1/2	3.80	2.66	1.71	2.24	2.36

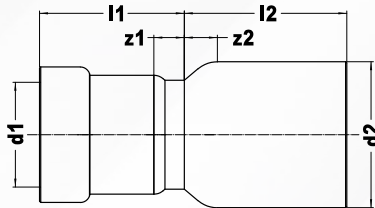
SUBMITTAL PACKAGE

Dimensional Documentation

"Apollo" Piping Systems

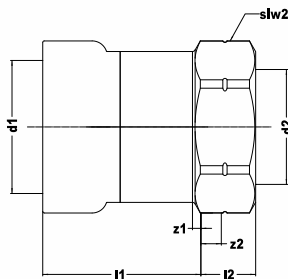
"Apollo"®

POWERPRESS



418G APOLLO POWERPRESS GAS FITTING REDUCER (Male x Press)

Part No.	Nom. Size (inches)	l1	l2	z1	z2
PWR7481980	3/4 x 1/2	1.26	1.26	0.12	0.02
PWR7481991	1 x 1/2	1.26	1.44	0.12	0.00
PWR7482002	1 x 3/4	1.42	1.30	0.18	-0.14
PWR7482013	1-1/4 x 1	1.63	1.73	0.20	-0.20
PWR7482024	1-1/2 x 3/4	1.87	2.42	0.63	0.47
PWR7482035	1-1/2 x 1	1.63	1.79	0.20	-0.16
PWR7482046	1-1/2 x 1-1/4	2.17	1.67	0.24	-0.28
PWR7482057	2 x 1	2.07	2.64	0.63	0.55
PWR7482068	2 x 1-1/4	2.17	1.79	0.24	-0.30
PWR7482079	2 x 1-1/2	2.13	1.81	0.18	-0.28



403G APOLLO POWERPRESS GAS FEMALE THREAD ADAPTER (Press x Female Thread)

Part No.	Nom. Size (inches)	l1	l2	z1	z2	slw2
PWR7482145	1/2 x FPT 1/2	1.22	0.61	0.08	0.00	1.10
PWR7482156	3/4 x FPT 1/2	1.30	0.67	0.06	0.06	1.42
PWR7482167	3/4 x FPT 3/4	1.32	0.63	0.08	0.00	1.42
PWR7482178	1 x FPT 1/2	1.57	0.67	0.14	0.06	1.61
PWR7482189	1 x FPT 3/4	1.52	0.69	0.08	0.06	1.61
PWR7482191	1 x FPT 1	1.54	0.75	0.10	0.00	1.61
PWR7482200	1-1/4 x FPT 1/2	2.17	0.67	0.24	0.06	1.97
PWR7482211	1-1/4 x FPT 3/4	2.11	0.69	0.18	0.06	1.97
PWR7482222	1-1/4 x FPT 1	2.03	0.83	0.10	0.08	1.97
PWR7482233	1-1/4 x FPT 1-1/4	1.91	0.89	0.00	0.00	1.97
PWR7482244	1-1/2 x FPT 1/2	2.26	0.67	0.31	0.06	2.36
PWR7482255	1-1/2 x FPT 3/4	2.20	0.69	0.26	0.06	2.36
PWR7482266	1-1/2 x FPT 1	2.13	0.83	0.18	0.08	2.36
PWR7482277	1-1/2 x FPT 1-1/4	2.03	0.85	0.08	0.08	2.36
PWR7482288	1-1/2 x FPT 1-1/2	2.05	0.77	0.10	0.00	2.36
PWR7482299	2 x FPT 1/2	2.54	0.67	0.45	0.06	2.76
PWR7482301	2 x FPT 3/4	2.48	0.69	0.39	0.06	2.76
PWR7482310	2 x FPT 1	2.40	0.83	0.31	0.08	2.76
PWR7482321	2 x FPT 1-1/4	2.30	0.85	0.22	0.08	2.76
PWR7482332	2 x FPT 1-1/2	2.22	0.85	0.14	0.08	2.76
PWR7482343	2 x FPT 2	2.19	0.79	0.10	0.00	2.76

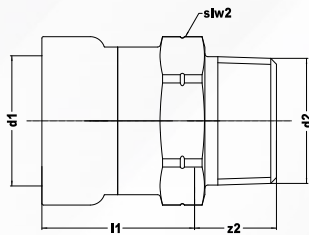
SUBMITTAL PACKAGE

Dimensional Documentation

Apollo® Piping Systems

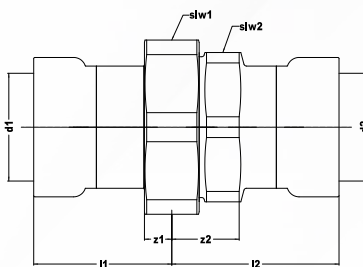
Apollo®

POWERPRESS



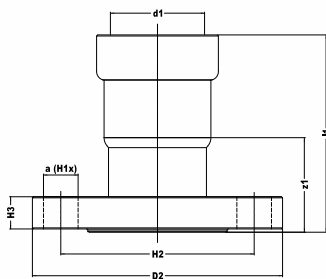
404G APOLLO POWERPRESS GAS MALE THREAD ADAPTER (Press x Male Thread)

Part No.	Nom. Size (inches)	l1	z2	slw2
PWR7482081	1/2 x MPT 1/2	1.12	0.98	1.10
PWR7482090	3/4 x MPT 3/4	1.22	0.98	1.42
PWR7482101	1 x MPT 1	1.42	1.10	1.61
PWR7482112	1-1/4 x MPT 1-1/4	1.91	1.14	1.97
PWR7482123	1-1/2 x MPT 1-1/2	1.93	1.12	2.36
PWR7482134	2 x MPT 2	2.07	1.16	2.76



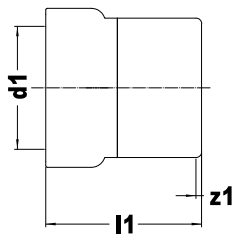
4733G APOLLO POWERPRESS GAS UNION (Press x Press)

Part No.	Nom. Size (inches)	l1	l2	z1	z2	slw1	slw2
PWR7482354	1/2	1.73	0.59	2.11	1.14	1.61	0.45
PWR7482365	3/4	1.93	0.69	2.17	1.24	1.61	0.49
PWR7482376	1	2.20	0.77	2.48	1.44	2.17	0.57
PWR7482387	1-1/4	2.17	0.24	2.85	1.93	2.76	0.76
PWR7482398	1-1/2	3.03	1.08	2.81	1.95	2.76	0.77
PWR7482409	2	3.31	1.22	3.23	2.09	3.35	0.82



4771G APOLLO POWERPRESS GAS FLANGE ADAPTER CLASS 150 (I x Press)

Part No.	Nom. Size (inches)	l1	l2	z1	z2	slw1	slw2	Holes
PWR7482411	1/2	2.44	0.39	2.38	0.40	3.54	0.63	4
PWR7482420	3/4	2.64	0.31	2.76	0.45	3.94	0.63	4
PWR7482431	1	2.95	0.22	3.13	0.51	4.33	0.63	4
PWR7482442	1-1/4	3.58	0.14	3.50	0.59	4.53	0.63	4
PWR7482453	1-1/2	3.82	0.10	3.88	0.65	4.92	0.63	4
PWR7482464	2	3.92	1.30	4.74	0.71	5.91	0.75	4



417G APOLLO POWERPRESS GAS CAP (I x Press)

Part No.	Nom. Size (inches)	l1	z1
PWR7482475	1/2	1.40	0.26
PWR7482486	3/4	1.50	0.26
PWR7482497	1	1.71	0.28
PWR7482508	1-1/4	2.20	0.28
PWR7482519	1-1/2	2.28	0.33
PWR7482521	2	2.40	0.31

Customer Service (704) 841-6000
www.apolloflowcontrols.com

This specification is provided for reference only. Apollo Flow Controls reserves the right to change any portion of this specification without notice and without incurring obligation to make such changes to Apollo products previously or subsequently sold. Please visit apolloflowcontrols.com for the most current information.



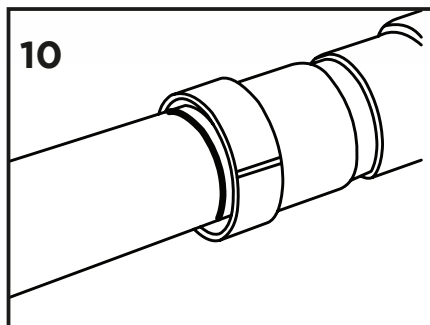
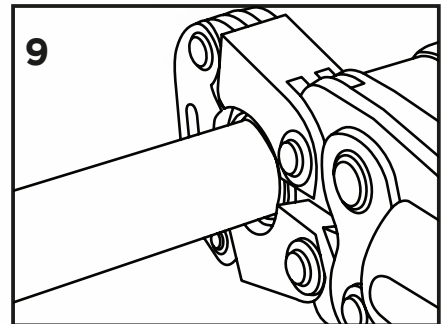
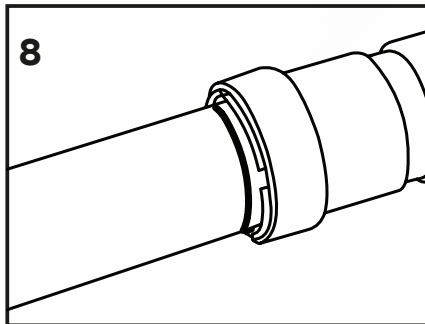
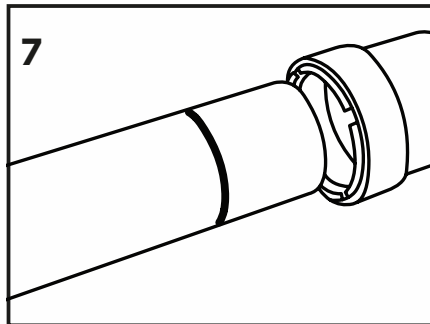
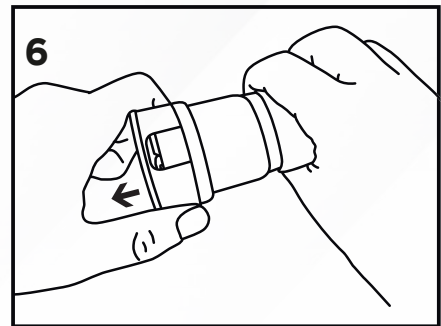
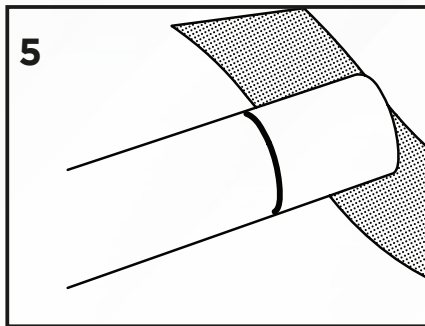
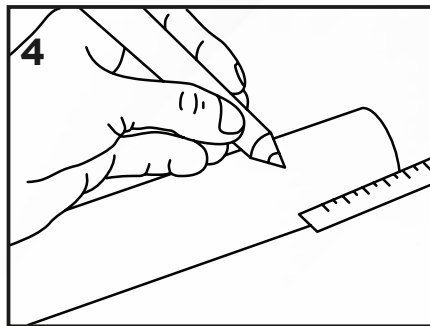
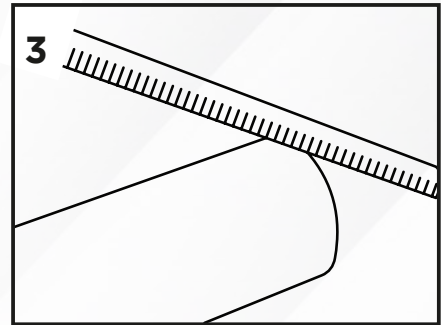
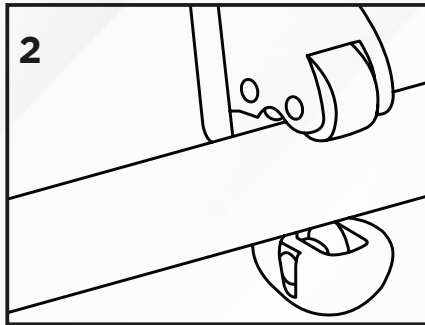
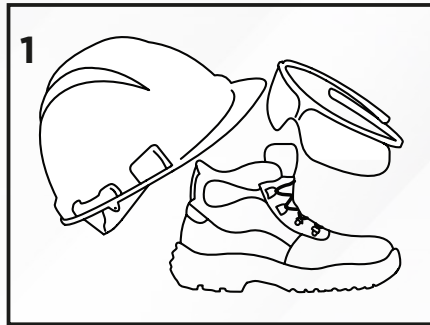
SUBMITTAL PACKAGE

Installation Instructions

"Apollo" Piping Systems

"Apollo"®

POWERPRESS



Always install in accordance with published instructions