

Non-Hold Open High-Efficiency Urinal Flushometer Valve - 0.5 gpf

FEATURES

- Manual operated, non-hold open, urinal flushometer valve complete with 3/4" angle stop and 3/4" or 1-1/4" vacuum breaker set
- Piston valve action with 0.5 gpf
- Left/right rough-in

MODELS

- TMU1LN#CP
Valve only, Right/Left hand rough
- TMU1LN12#CP (3/4" Vacuum breaker)
Right/Left hand rough
Complete set supplied with:
Vacuum breaker & angle stop set – VB9CP-12
 - 3/4" Angle stop – 10077t4
 - 3/4" Vacuum breaker – 10075t2
 - Spud nut & escutcheon – 71051Nt5
 - Sweat solder kit – TH559EDVSJ1
- TMU1LN22#CP (1-1/4" Vacuum breaker)
Right/Left hand rough
Complete set supplied with:
Vacuum breaker & angle stop set – VB9CP-22
 - 3/4" Angle stop – 10077t4
 - 1-1/4" Vacuum breaker – 10075t5
 - Spud nut & escutcheon – 71051Nt7
 - Sweat solder kit – TH559EDVSJ1
- Optional Part:
Z-4000-J - Adapter for ground joint angle stops

COLORS/FINISHES

- #CP Polished Chrome

CODES/STANDARDS

- Meets or exceeds ASSE 1037, CSA B125.3
- Certifications: IAPMO(cUPC), ASSE, State of Massachusetts, City of Los Angeles, and others
- Code Compliance: UPC, IPC, NSPC, NPC Canada, and others
- ADA compliant



PRODUCT SPECIFICATION

TOTO® Model No. _____
Manual type urinal flushometer valve, non-hold-open piston type with, self-cleaning debris screen and precise flushing capability. Low consumption water of 0.5 gpf/1.9 lpf model. Accessories to include angle stop with check valve, vacuum breaker. Sweat solder kit, spud nut and escutcheon.

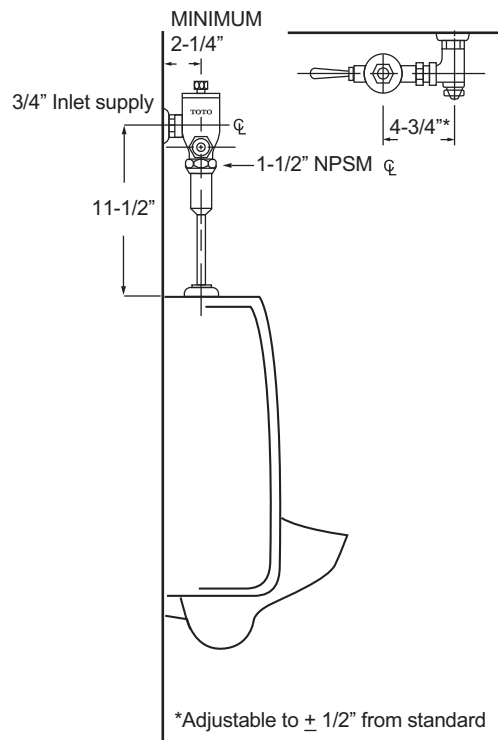
TMU1LN Series

Non-Hold Open Urinal Flushometer Valve - 0.5 gpf

SPECIFICATIONS

- Warranty Three Year Warranty
- Material Bronze casting with polished chrome finish
- Water Supply 3/4" NPT
- Fixture type Low consumption urinal
0.5 gpf / 1.9 lpf flushometer type
- Supply water pressure 15 psi - 100 psi*

These specifications are subject to change without notice.
*Water pressures over 80 psi are not recommended for most plumbing fixtures.
Check your local plumbing code for details.



TOTO

These dimensions and specifications are subject to change without notice