

"Apollo"® POWERPRESS

Carbon Steel Press



catalog

powerpress.apollovalves.com

customer service 704.841.6000

APP-CAT-2020-03



integrated
piping systems

GENERAL INFORMATION

| | |
|---------------------------------|----|
| Operating Parameters..... | 4 |
| Approvals & Certifications..... | 4 |
| Approved Applications..... | 5 |
| Features & Benefits..... | 6 |
| New Products..... | 8 |
| Cross Reference..... | 21 |

FITTINGS (STANDARD)

| | |
|--------------------------|----|
| 90° Elbow..... | 11 |
| 45° Elbow..... | 11 |
| Tees..... | 11 |
| Couplings..... | 12 |
| Couplings No Stop..... | 12 |
| Fitting Reducers..... | 12 |
| Adapters..... | 13 |
| Flanges | 13 |
| Unions..... | 13 |
| Caps..... | 14 |

FITTINGS (GAS)

| | |
|--------------------------|----|
| 90° Elbow..... | 17 |
| 45° Elbow..... | 17 |
| Tees..... | 17 |
| Couplings..... | 18 |
| Couplings No Stop..... | 18 |
| Fitting Reducers..... | 19 |
| Adapters..... | 19 |
| Flanges | 20 |
| Unions..... | 20 |
| Caps..... | 20 |

VALVES

| | |
|------------------------------|----|
| 89FVE Series (Standard)..... | 10 |
| 89FVH Series (Gas)..... | 16 |

Apollo POWERPRESS® is a carbon steel press system designed to be used with Schedule 10 through 40 thick wall steel pipe for sizes ranging from ½" through 2".

All Apollo POWERPRESS® fittings and valves are zinc-nickel coated to protect against corrosion and come equipped with either an EPDM or HNBR Sealing Element. In addition to a mechanical Leak Before Press® system, Apollo POWERPRESS® products feature a patented, color-coded, Visual Control Ring (VCR) that clearly indicates when a connection has been pressed. Our innovative Visual Control Ring (VCR) not only provides installers double assurance when identifying un-pressed connections, it also optimally positions the pipe while pressing, significantly reducing pipe deflection for a far straighter and cleaner press connection. When compared to other carbon press systems, Apollo POWERPRESS® is the undisputed leader in quality and reliability.

OPERATING PARAMETERS

Apollo POWERPRESS® is designed to be used with Schedule 10 through 40 thick wall steel pipe (black steel, galvanized steel, and epoxy coated steel) as defined by ASTM A53, A106, A135, A795 standards.

- | | | | |
|--------------------------|-----------------------|--------------------------|-----------------------|
| • Sealing Element: | EPDM | • Sealing Element: | HNBR |
| • Operating Pressure: | 230 PSI Max | • Operating Pressure: | 150 PSI Max |
| • Operating Temperature: | -40°F to 302°F | • Operating Temperature: | -40°F to 194°F |

FEATURES & BENEFITS

- Leak Before Press® – Un-pressed Fittings Will Visibly Leak During Low Pressure Testing
- Visual Control Ring (VCR)
 - Patented
 - Tabs that "Break-Away" When Pressed
 - Color Coded for Easy Identification of Sealing Element Type
 - Acts as a "Pipe Guide", Optimally Positioning the Inserted Pipe, Significantly Reducing Pipe Deflection for a Clean and Straight Connection
 - Protects Sealing Element from Debris or Paint
- Increased Cup Depths - Better Seat, Tighter Seal, Straighter Runs
- Color Coded Protective Shipping Cap
- Protects Visual Control Ring (VCR) and Fitting/Valve Ends During Shipping
- First and Only Carbon Steel Press Ball Valve in the Market
- No Need for Adapters – Materials & Cost Savings, Shorter Laying Lengths, Reduced Likelihood of Potential Leak Paths

APPROVALS & CERTIFICATIONS

| APPROVALS | NON-GAS | | GAS | |
|---------------------------------|----------|--------|----------|--------|
| | FITTINGS | VALVES | FITTINGS | VALVES |
| CSA 6.32/ANSI LC 4 | - | - | ✓ | ✓ |
| FM 1920 | ✓ | - | - | - |
| IAPMO PS 117 | ✓ | - | - | - |
| IAPMO/ANSI Z1157 | - | ✓ | - | - |
| Canadian Registration No. (CRN) | ✓ | ✓ | ✓ | ✓ |
| UL 213 | ✓ | - | - | - |

COMPLIANT WITH

- Uniform Plumbing Code (UPC®)
- Uniform Mechanical Code (UMC®)
- National Plumbing Code of Canada
- International Plumbing Code (IPC®)
- International Fuel Gas Code (IFGC®)
- ASME B31
- NFPA 13, 13D & 13R, 54 & 58
- Buy American Act (BAA)
- ARRA

WARRANTY



APPROVED TOOL MANUFACTURERS*

- Milwaukee®
- Ridgid®

*PLEASE CONTACT LOCAL POWERPRESS® REPRESENTATIVE FOR ADDITIONAL INFORMATION ON APPROVED TOOL & JAW MANUFACTURERS

APPROVED APPLICATIONS

| TYPE OF SERVICE | SYSTEM OPERATING CONDITIONS | | | SEALING ELEMENT | |
|----------------------------------|--|----------------|---------------|-----------------|------|
| | COMMENTS | PRESSURE | TEMPERATURE | EPDM | HNBR |
| FLUIDS/WATER | | | | | |
| Chilled Water | Ethylene Glycol ProPylene Glycol | 230 psi | Down to -40°F | ✓ | |
| Hydronic Heating | Ethylene Glycol ProPylene Glycol | 230 psi | 0°F - 302°F | ✓ | |
| Fire Sprinkler | Compliant with UL and FM for NFPA 13, 13D and 13R | 175 psi | Ambient | ✓ | |
| Low Pressure Steam | Low Pressure Steam Supply Lines | Up to 15 psi | max. 302°F | ✓ | |
| OIL AND LUBRICANT | | | | | |
| Heating Fuel Oil | | 125 psi | -40°F - 180°F | | ✓ |
| Diesel Fuel | Compliant with NFPA 30 and 30A | 125 psi | | | ✓ |
| Engine Oil | | 150 psi | Ambient | | ✓ |
| Gear Grease | | 150 psi | 104°F | | ✓ |
| Hydraulic Fluid | Mineral Based | 230 psi | Ambient | | ✓ |
| Transmission Fluid | | 230 psi | Ambient | | ✓ |
| GASES | | | | | |
| Natural Gas, LP Gas and Fuel Oil | | 125 psi max. | -40°F - 180°F | | ✓ |
| Compressed Air | Oil Concentrate < 25mg/m ³ | 230 psi | up to 140°F | ✓ | ✓ |
| | Oil Concentrate > 25mg/m ³ | 230 psi | up to 140°F | | ✓ |
| Vacuum | | Max. 29.2in Hg | up to 140°F | ✓ | ✓ |
| Nitrogen - N ₂ | | 230 psi | up to 140°F | ✓ | ✓ |
| Argon - Ar | | 230 psi | up to 140°F | ✓ | ✓ |
| Carbon Dioxide - CO ₂ | | 230 psi | up to 140°F | ✓ | ✓ |

1. Consult the Apollo Technical Support Department for information on applications not listed and applications outside the temperature and pressure ranges listed above.
2. All systems are recommended to be clearly labeled with the fluid or gas being conveyed.

UNDERGROUND INSTALLATIONS

When permitted by state and local codes, Apollo PowerPress fittings are approved for use in underground installations. When buried in an area with corrosive soil conditions, the fitting must be protected.

OUTDOOR INSTALLATIONS

Special attention must be paid to prevent outer corrosion to pipes in an environment that remains damp or humid for longer periods of time. Responsibility for taking relevant measures rests with the user/installer. Only suitable corrosion protection can offer permanent certainty against corrosion. One way of doing so is to use 'closed cell' insulation, which must be applied in a guaranteed waterproof condition. Suitable primers - or metallic paints may offer minimal corrosion protection. It is advisable to always use corrosion protection on the piping in situations where corrosion is likely to occur (damp room, crawl spaces, outdoor installations, etc.).

"Apollo"® POWERPRESS

Carbon Steel Press Ball Valve

- First and only in the market
- No need for adapters - labor & materials cost savings, shorter lay lengths, and fewer potential leak paths

Protective Shipping Cap

- Easy color identification:
 - Yellow - **HNBR/Gas**
 - Green - **EPDM/Non-Gas**
- Protects ends during shipping

Internal Components

- Visual inspection ring
- Grip-ring
- Spacer
- O-ring

Markings & Identification

- Laser etching includes:
 - Certifications
 - Pressure rating
 - Size
 - Traceability code
 - Country of origin





O-Ring Protection

- The VIR prevents contamination between the fitting and o-ring
- Paint friendly - no need to cover fitting/valve ends when painting Powerpress products

Double Safety

Leak Before Press[®]

- Unpressed fittings will visibly leak during low pressure testing

Visual Identification Ring (VIR)

- VIR rings break-away when joint is properly pressed
- Color coded

Straighter Pipe Runs

- Deeper cup depths and VIR significantly reduce angular deflection
- VIR acts as a “pipe guide”, optimizing pipe positioning for a straight and clean press connection

"Apollo" POWERPRESS

New Products!



New!
size

Reducing Outlet Tee
Model 411R (EPDM) - p.11
Model 411RG (HNBR) - p.17

New!
size

Female Outlet Tee
Model 4712 (EPDM) - p.12
Model 4712G (HNBR) - p.18



New!

Reducer Coupling
Model 420 (EPDM) - p.12
Model 420G (HNBR) - p.18

New!

Female Union
Model 4734 (EPDM) - p.14
Model 4734G (HNBR) - p.20

"Apollo"® POWERPRESS

Standard Valves & Fittings



integrated
piping systems

89FVE SERIES NON-GAS BALL VALVE



STANDARD MATERIALS LIST

| | |
|------------------------|----------------------------------|
| BODY | ASTM A216-WCB Carbon Steel |
| SEAT | Reinforced PTFE |
| BALL | ASTM A276-316 Stainless Steel |
| STEM PACKING | Multi-Fill PTFE |
| NUT | Corrosion Resistant Plated Steel |
| STEM | ASTM A276-316 Stainless Steel |
| RETAINER | ASTM A108-12L14 Carbon Steel |
| SEALING ELEMENT | EPDM (Black) |
| HANDLE | Plated Steel/Insulated Polyvinyl |
| GLAND | ASTM A108-1215 Carbon Steel |
| STEM BEARING | Reinforced PTFE |
| BODY SEAL | PTFE |

DESCRIPTION

The Apollo POWERPRESS® 89FV Ball Valve is ideal for installation in chilled water, compressed air, hydronic heating and fire sprinkler applications. This valve design significantly reduces installation time and helps maintain a clean working environment. The Apollo POWERPRESS® is designed for steel pipe, schedules 10 to 40, as defined by ASTM A53, A106, A135 and A795 standards.

FEATURES

- Patented Visual Control Ring (Green)
- EPDM Sealing Element
- Full-Port Flow
- Adjustable Stem Packing
- Fast, Reliable, Economical Press Installation
- Ridgid® & Milwaukee Press Tool Compatible
- Leak Before Press® Technology
- Blowout-Proof Stem
- Corrosion Resistant Materials
- 100% Factory Tested
- Silicone Free Assembly
- Made in USA, ARRA Compliant

OPTIONS

- (-01) Standard (PTFE Packing, RPTFE Body Seal)
- (-02) Grounded Stem
- (-04) 2¼" Stem Extension
- (-11) Therma-Seal™ Insulating Tee Handle
- (-14) Side Vented Ball (Uni-Directional)
- (-24) Graphite Stem Packing
- (-27) SS Latch-Lock Lever and Nut
- (-32) SS Tee Handle and Nut
- (-39) SS Hi-Rise Locking Wheel Handle with SS Nut
- (-45) Less Lever and Nut
- (-47) SS Latch Lock Oval Handle
- (-48) SS Oval Handle (No Latch)
- (-49) Assembled Dry
- (-60) Grounded Ball and Stem

PERFORMANCE RATING

- Maximum Operating Pressure: 200 psi
- Temperature Range: -40°F - 302°F

APPROVED APPLICATIONS

- Chilled Water
- Hydronic Heating (50% glycol max)
- Low Pressure Steam, 15 psi max
- Compressed Air
- Fire Sprinkler
- Not Suitable for Flammable Gas Service

APPROVALS

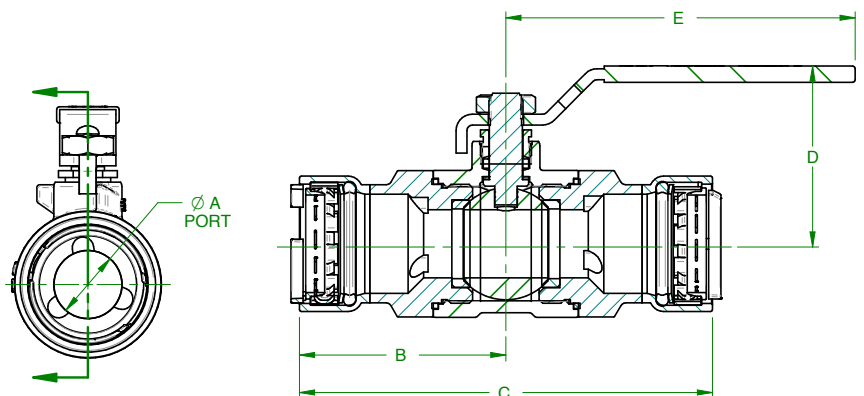
- IAPMO/ANSI - Z1157
- CRN # OC10908 ADD11

COMPLIANT WITH

- Uniform Plumbing Code (UPC)
- International Plumbing Code (IPC)
- National Plumbing Code of Canada

DIMENSIONS

| PART NUMBER | SIZE (IN.) | DIMENSIONS (IN.) | | | | | WT (LB.) |
|-------------|------------|------------------|------|------|------|------|----------|
| | | A | B | C | D | E | |
| 89FVE4301 | ½" | 0.50 | 2.08 | 4.16 | 1.74 | 3.85 | 0.6 |
| 89FVE4401 | ¾" | 0.75 | 2.28 | 4.55 | 1.96 | 3.85 | 0.9 |
| 89FVE4501 | 1" | 1.00 | 2.72 | 5.44 | 2.29 | 4.76 | 1.4 |
| 89FVE4601 | 1¼" | 1.25 | 3.41 | 6.82 | 3.20 | 7.76 | 4.2 |
| 89FVE4701 | 1½" | 1.50 | 3.62 | 7.24 | 3.30 | 7.76 | 4.8 |
| 89FVE4801 | 2" | 2.00 | 3.93 | 7.85 | 3.68 | 7.76 | 7.2 |



ELBOWS



90° ELBOW

MODEL 407

- Green Visual Control Ring
- P x P
- Carbon Steel
- EPDM Sealing Element

| PART NO. | P1 | P2 | BAG QTY. |
|------------|----|----|----------|
| PWR7480121 | ½ | ½ | 10 |
| PWR7480132 | ¾ | ¾ | 10 |
| PWR7480143 | 1 | 1 | 10 |
| PWR7480154 | 1¼ | 1¼ | 1 |
| PWR7480165 | 1½ | 1½ | 1 |
| PWR7480176 | 2 | 2 | 1 |



90° STREET ELBOW

MODEL 407-2

- Green Visual Control Ring
- P x FTG
- Carbon Steel
- EPDM Sealing Element

| PART NO. | P | FTG | BAG QTY. |
|------------|----|-----|----------|
| PWR7480187 | ½ | ½ | 10 |
| PWR7480198 | ¾ | ¾ | 10 |
| PWR7480209 | 1 | 1 | 5 |
| PWR7480211 | 1¼ | 1¼ | 1 |
| PWR7480220 | 1½ | 1½ | 1 |
| PWR7480231 | 2 | 2 | 1 |



45° ELBOW

MODEL 406

- Green Visual Control Ring
- P x P
- Carbon Steel
- EPDM Sealing Element

| PART NO. | P1 | P2 | BAG QTY. |
|------------|----|----|----------|
| PWR7480242 | ½ | ½ | 10 |
| PWR7480253 | ¾ | ¾ | 10 |
| PWR7480264 | 1 | 1 | 5 |
| PWR7480275 | 1¼ | 1¼ | 1 |
| PWR7480286 | 1½ | 1½ | 1 |
| PWR7480297 | 2 | 2 | 1 |



45° STREET ELBOW

MODEL 406-2

- Green Visual Control Ring
- P x FTG
- Carbon Steel
- EPDM Sealing Element

| PART NO. | P | FTG | BAG QTY. |
|------------|----|-----|----------|
| PWR7480308 | ½ | ½ | 10 |
| PWR7480319 | ¾ | ¾ | 10 |
| PWR7480321 | 1 | 1 | 5 |
| PWR7480330 | 1¼ | 1¼ | 1 |
| PWR7480341 | 1½ | 1½ | 1 |
| PWR7480352 | 2 | 2 | 1 |

TEES



TEE

MODEL 411, 411R

- Green Visual Control Ring
- P x P x P
- Carbon Steel
- EPDM Sealing Element

| PART NO. | P1 | P2 | P3 | BAG QTY. |
|------------|----|----|----|----------|
| PWR7480363 | ½ | ½ | ½ | 5 |
| PWR7480374 | ¾ | ¾ | ¾ | 5 |
| PWR7480385 | 1 | 1 | 1 | 5 |
| PWR7480396 | 1¼ | 1¼ | 1¼ | 1 |
| PWR7480407 | 1½ | 1½ | 1½ | 1 |
| PWR7480418 | 2 | 2 | 2 | 1 |

REDUCING

| PART NO. | P1 | P2 | P3 | BAG QTY. |
|------------|----|----|----|----------|
| PWR7480429 | ¾ | ¾ | ½ | 5 |
| PWR7480431 | 1 | 1 | ½ | 5 |
| PWR7480440 | 1 | 1 | ¾ | 5 |
| PWR7483003 | 1¼ | 1¼ | ½ | 1 |
| PWR7483014 | 1¼ | 1¼ | ¾ | 1 |
| PWR7480451 | 1¼ | 1¼ | 1 | 1 |
| PWR7480462 | 1½ | 1½ | ½ | 1 |
| PWR7480473 | 1½ | 1½ | ¾ | 1 |
| PWR7480484 | 1½ | 1½ | 1 | 1 |
| PWR7480495 | 1½ | 1½ | 1¼ | 1 |
| PWR7480506 | 2 | 2 | ½ | 1 |
| PWR7480517 | 2 | 2 | ¾ | 1 |
| PWR7480528 | 2 | 2 | 1 | 1 |
| PWR7480539 | 2 | 2 | 1¼ | 1 |
| PWR7480541 | 2 | 2 | 1½ | 1 |



New!
size

TEE | FEMALE MODEL 4712

- Green Visual Control Ring
- P x P x FPT
- Carbon Steel
- EPDM Sealing Element

| PART NO. | P1 | P2 | FPT | BAG QTY. |
|------------|-------|-------|-------|----------|
| PWR7480550 | 3/4 | 3/4 | 1/2 | 5 |
| PWR7480561 | 3/4 | 3/4 | 3/4 | 5 |
| PWR7480572 | 1 | 1 | 1/2 | 5 |
| PWR7480583 | 1 | 1 | 3/4 | 5 |
| PWR7480594 | 1 1/4 | 1 1/4 | 1/2 | 1 |
| PWR7483102 | 1 1/4 | 1 1/4 | 3/4 | 1 |
| PWR7483113 | 1 1/4 | 1 1/4 | 1 | 1 |
| PWR7480605 | 1 1/2 | 1 1/2 | 1/2 | 1 |
| PWR7480616 | 1 1/2 | 1 1/2 | 3/4 | 1 |
| PWR7480627 | 1 1/2 | 1 1/2 | 1 | 1 |
| PWR7480638 | 1 1/2 | 1 1/2 | 1 1/4 | 1 |
| PWR7480649 | 2 | 2 | 1/2 | 1 |
| PWR7480651 | 2 | 2 | 3/4 | 1 |
| PWR7480660 | 2 | 2 | 1 | 1 |
| PWR7480671 | 2 | 2 | 1 1/4 | 1 |
| PWR7480682 | 2 | 2 | 1 1/2 | |

COUPLINGS



COUPLING MODEL 400

- Green Visual Control Ring
- P x P
- Carbon Steel
- EPDM Sealing Element

| PART NO. | P1 | P2 | BAG QTY. |
|------------|-------|-------|----------|
| PWR7480000 | 1/2 | 1/2 | 10 |
| PWR7480011 | 3/4 | 3/4 | 10 |
| PWR7480022 | 1 | 1 | 5 |
| PWR7480033 | 1 1/4 | 1 1/4 | 1 |
| PWR7480044 | 1 1/2 | 1 1/2 | 1 |
| PWR7480055 | 2 | 2 | 1 |



COUPLING | NO STOP MODEL 401

- Green Visual Control Ring
- P x P
- Carbon Steel
- EPDM Sealing Element

| PART NO. | P1 | P2 | BAG QTY. |
|------------|-------|-------|----------|
| PWR7480066 | 1/2 | 1/2 | 10 |
| PWR7480077 | 3/4 | 3/4 | 10 |
| PWR7480088 | 1 | 1 | 5 |
| PWR7480099 | 1 1/4 | 1 1/4 | 1 |
| PWR7480101 | 1 1/2 | 1 1/2 | 1 |
| PWR7480110 | 2 | 2 | 1 |



New!

COUPLING | REDUCING MODEL 420

- Green Visual Control Ring
- P x P
- Carbon Steel
- EPDM Sealing Element

| PART NO. | P1 | P2 | BAG QTY. |
|------------|-------|-------|----------|
| PWR7483025 | 3/4 | 1/2 | 5 |
| PWR7483036 | 1 | 1/2 | 5 |
| PWR7483047 | 1 | 3/4 | 1 |
| PWR7483058 | 1 1/4 | 3/4 | 1 |
| PWR7483069 | 1 1/4 | 1 | 1 |
| PWR7483071 | 1 1/2 | 1 1/4 | 1 |
| PWR7483080 | 2 | 1 1/4 | 1 |
| PWR7483091 | 2 | 1 1/2 | 1 |

FITTING REDUCERS



FITTING REDUCER MODEL 418

- Green Visual Control Ring
- FTG x P
- Carbon Steel
- EPDM Sealing Element

| PART NO. | FTG | P | BAG QTY. |
|------------|-------|-------|----------|
| PWR7480693 | 3/4 | 1/2 | 5 |
| PWR7480704 | 1 | 1/2 | 5 |
| PWR7480715 | 1 | 3/4 | 5 |
| PWR7480748 | 1 1/4 | 1 | 1 |
| PWR7480761 | 1 1/2 | 3/4 | 1 |
| PWR7480770 | 1 1/2 | 1 | 1 |
| PWR7480781 | 1 1/2 | 1 1/4 | 1 |
| PWR7480814 | 2 | 1 | 1 |
| PWR7480825 | 2 | 1 1/4 | 1 |
| PWR7480836 | 2 | 1 1/2 | 1 |

ADAPTERS



ADAPTER | FEMALE MODEL 403, 403R

- Green Visual Control Ring
- P x FPT
- Carbon Steel
- EPDM Sealing Element

| PART NO. | P | FPT | BAG QTY. |
|------------|----|-----|----------|
| PWR7480902 | ½ | ½ | 10 |
| PWR7480924 | ¾ | ¾ | 10 |
| PWR7480957 | 1 | 1 | 5 |
| PWR7480990 | 1¼ | 1¼ | 5 |
| PWR7481045 | 1½ | 1½ | 1 |
| PWR7481100 | 2 | 2 | 1 |

REDUCING

| PART NO. | P | FPT | BAG QTY. |
|------------|----|-----|----------|
| PWR7480913 | ¾ | ½ | 10 |
| PWR7480935 | 1 | ½ | 10 |
| PWR7480946 | 1 | ¾ | 5 |
| PWR7480968 | 1¼ | ½ | 1 |
| PWR7480979 | 1¼ | ¾ | 1 |
| PWR7480981 | 1¼ | 1 | 1 |
| PWR7481001 | 1½ | ½ | 1 |
| PWR7481012 | 1½ | ¾ | 1 |
| PWR7481023 | 1½ | 1 | 1 |
| PWR7481034 | 1½ | 1¼ | 1 |
| PWR7481056 | 2 | ½ | 1 |
| PWR7481067 | 2 | ¾ | 1 |
| PWR7481078 | 2 | 1 | 1 |
| PWR7481089 | 2 | 1¼ | 1 |
| PWR7481091 | 2 | 1½ | 1 |



ADAPTER | MALE MODEL 404

- Green Visual Control Ring
- P x MPT
- Carbon Steel
- EPDM Sealing Element

| PART NO. | P | MPT | BAG QTY. |
|------------|----|-----|----------|
| PWR7480847 | ½ | ½ | 10 |
| PWR7480858 | ¾ | ¾ | 10 |
| PWR7480869 | 1 | 1 | 5 |
| PWR7480871 | 1¼ | 1¼ | 5 |
| PWR7480880 | 1½ | 1½ | 1 |
| PWR7480891 | 2 | 2 | 1 |

FLANGES



FLANGE ADAPTER | ANSI CLASS 150 MODEL 4771

- Green Visual Control Ring
- P x FLANGE (BP:4)
- Carbon Steel
- EPDM Sealing Element

| PART NO. | P | FLG | BAG QTY. |
|------------|----|-----|----------|
| PWR7481177 | ½ | ½ | 1 |
| PWR7481188 | ¾ | ¾ | 1 |
| PWR7481199 | 1 | 1 | 1 |
| PWR7481201 | 1¼ | 1¼ | 1 |
| PWR7481210 | 1½ | 1½ | 1 |
| PWR7481221 | 2 | 2 | 1 |

UNIONS



UNION MODEL 4733

- Green Visual Control Ring
- P x P
- Carbon Steel
- EPDM Sealing Element

| PART NO. | P1 | P2 | BAG QTY. |
|------------|----|----|----------|
| PWR7481111 | ½ | ½ | 5 |
| PWR7481122 | ¾ | ¾ | 5 |
| PWR7481133 | 1 | 1 | 5 |
| PWR7481144 | 1¼ | 1¼ | 1 |
| PWR7481155 | 1½ | 1½ | 1 |
| PWR7481166 | 2 | 2 | 1 |



New!

UNION | FEMALE MODEL 4734

- Green Visual Control Ring
- P x FPT
- Carbon Steel
- EPDM Sealing Element

| PART NO. | P1 | FPT | BAG QTY. |
|------------|----|-----|----------|
| PWR7483245 | ½ | ½ | 5 |
| PWR7483256 | ¾ | ¾ | 5 |
| PWR7483267 | 1 | 1 | 5 |
| PWR7483278 | 1¼ | 1¼ | 1 |
| PWR7483289 | 1½ | 1½ | 1 |
| PWR7483291 | 2 | 2 | 1 |

CAPS



TUBE CAP MODEL 417

- Green Visual Control Ring
- P x Cap
- Carbon Steel
- EPDM Sealing Element

| PART NO. | P | BAG QTY. |
|------------|----|----------|
| PWR7481232 | ½ | 10 |
| PWR7481243 | ¾ | 10 |
| PWR7481254 | 1 | 5 |
| PWR7481265 | 1¼ | 1 |
| PWR7481276 | 1½ | 1 |
| PWR7481287 | 2 | 1 |

"Apollo"® POWERPRESS

Gas Valves & Fittings



89FVH SERIES GAS BALL VALVE



STANDARD MATERIALS

| | |
|------------------------|----------------------------------|
| BODY | ASTM A216-WCB Carbon Steel |
| SEAT | Reinforced PTFE |
| BALL | ASTM A276-316 Stainless Steel |
| STEM PACKING | Multi-Fill PTFE |
| NUT | Corrosion Resistant Plated Steel |
| STEM | ASTM A276-316 Stainless Steel |
| RETAINER | ASTM A108-12L14 Carbon Steel |
| SEALING ELEMENT | HNBR (Yellow) |
| HANDLE | Plated Steel/Insulated Polyvinyl |
| GLAND | ASTM A108-1215 Carbon Steel |
| STEM BEARING | Reinforced PTFE |
| BODY SEAL | PTFE |

DESCRIPTION

The Apollo POWERPRESS® 89FV Gas Ball Valve is ideal for installation in compressed air and fuel gas applications. This valve design significantly reduces installation time and helps maintain a clean working environment. The Apollo POWERPRESS® is designed for steel pipe, schedules 10 to 40, as defined by ASTM A53, A106, A135 and A795 standards.

FEATURES

- Patented Visual Control Ring (Yellow)
- HNBR Sealing Element
- Full-Port Flow
- Adjustable Stem Packing
- Fast, Reliable, Economical Press Installation
- Ridgid® & Milwaukee Press Tool Compatible
- Leak Before Press® Technology
- Blowout-Proof Stem
- Corrosion Resistant Materials
- 100% Factory Tested
- Silicone Free Assembly
- Made in USA, ARRA Compliant

PERFORMANCE RATING

- Maximum Operating Pressure:
125 psi max for fuel gas applications
200 psi max for other approved applications
- Temperature Range: -40°F - 194°F

APPROVALS

- ANSI LC 4/CSA 6.32
- IAPMO LC 4
- CRN # 0C10908 ADD11

APPROVED APPLICATIONS

- Compressed Air
- Fuel Gas

OPTIONS

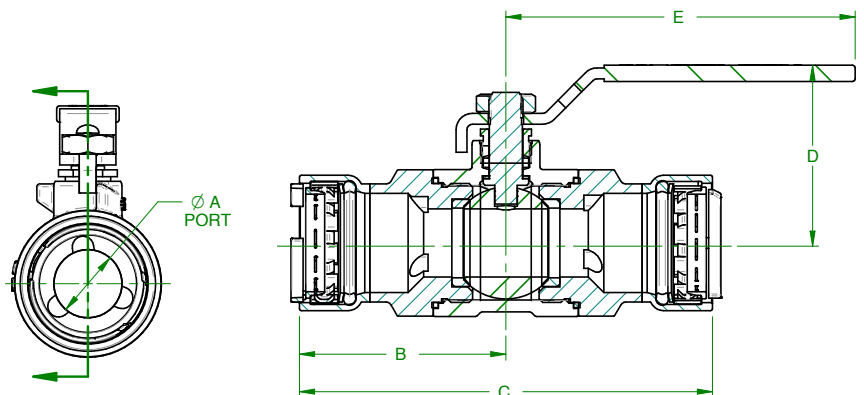
- (-01) Standard (PTFE Packing, RPTFE Body Seal)
- (-02) Grounded Stem
- (-04) 2¼" Stem Extension
- (-11) Therma-Seal™ Insulating Tee Handle
- (-14) Side Vented Ball (Uni-Directional)
- (-24) Graphite Stem Packing
- (-27) SS Latch-Lock Lever and Nut
- (-32) SS Tee Handle and Nut
- (-39) SSHi-Rise Locking Wheel Handle with SS Nut
- (-45) Less Lever and Nut
- (-47) SS Latch Lock Oval Handle
- (-48) SS Oval Handle (No Latch)
- (-49) Assembled Dry
- (-60) Grounded Ball and Stem

COMPLIANT WITH

- Uniform Plumbing Code (UPC)
- International Plumbing Code (IPC)
- International Fuel Gas Code (IFGC)
- National Plumbing Code of Canada

DIMENSIONS (IN)

| PART NUMBER | SIZE (IN.) | DIMENSIONS (IN.) | | | | | WT (LB.) |
|-------------|------------|------------------|------|------|------|------|----------|
| | | A | B | C | D | E | |
| 89FVH4301 | ½" | 0.50 | 2.08 | 4.16 | 1.74 | 3.85 | 0.6 |
| 89FVH4401 | ¾" | 0.75 | 2.28 | 4.55 | 1.96 | 3.85 | 0.9 |
| 89FVH4501 | 1" | 1.00 | 2.72 | 5.44 | 2.29 | 4.76 | 1.4 |
| 89FVH4601 | 1¼" | 1.25 | 3.41 | 6.82 | 3.20 | 7.76 | 4.2 |
| 89FVH4701 | 1½" | 1.50 | 3.62 | 7.24 | 3.30 | 7.76 | 4.8 |
| 89FVH4801 | 2" | 2.00 | 3.93 | 7.85 | 3.68 | 7.76 | 7.2 |
| 89FVH4324 | ½" | 0.50 | 2.08 | 4.16 | 1.74 | 3.85 | 0.6 |
| 89FVH4424 | ¾" | 0.75 | 2.28 | 4.55 | 1.96 | 3.85 | 0.9 |
| 89FVH4524 | 1" | 1.00 | 2.72 | 5.44 | 2.29 | 4.76 | 1.4 |
| 89FVH4624 | 1¼" | 1.25 | 3.41 | 6.82 | 3.20 | 7.76 | 4.2 |
| 89FVH4724 | 1½" | 1.50 | 3.62 | 7.24 | 3.30 | 7.76 | 4.8 |
| 89FVH4824 | 2" | 2.00 | 3.93 | 7.85 | 3.68 | 7.76 | 7.2 |



ELBOWS (GAS)



90° ELBOW

MODEL 407G

- Yellow Visual Control Ring
- P x P
- Carbon Steel
- HNBR Sealing Element

| PART NO. | P1 | P2 | BAG QTY. |
|------------|----|----|----------|
| PWR7481419 | ½ | ½ | 10 |
| PWR7481421 | ¾ | ¾ | 10 |
| PWR7481430 | 1 | 1 | 10 |
| PWR7481441 | 1¼ | 1¼ | 1 |
| PWR7481452 | 1½ | 1½ | 1 |
| PWR7481463 | 2 | 2 | 1 |



90° STREET ELBOW

MODEL 407-2G

- Yellow Visual Control Ring
- P x FTG
- Carbon Steel
- HNBR Sealing Element

| PART NO. | P | FTG | BAG QTY. |
|------------|----|-----|----------|
| PWR7481474 | ½ | ½ | 10 |
| PWR7481485 | ¾ | ¾ | 10 |
| PWR7481496 | 1 | 1 | 5 |
| PWR7481507 | 1¼ | 1¼ | 1 |
| PWR7481518 | 1½ | 1½ | 1 |
| PWR7481529 | 2 | 2 | 1 |



45° ELBOW

MODEL 406G

- Yellow Visual Control Ring
- P x P
- Carbon Steel
- HNBR Sealing Element

| PART NO. | P1 | P2 | BAG QTY. |
|------------|----|----|----------|
| PWR7481531 | ½ | ½ | 10 |
| PWR7481540 | ¾ | ¾ | 10 |
| PWR7481551 | 1 | 1 | 5 |
| PWR7481562 | 1¼ | 1¼ | 1 |
| PWR7481573 | 1½ | 1½ | 1 |
| PWR7481584 | 2 | 2 | 1 |



45° STREET ELBOW

MODEL 406-2G

- Yellow Visual Control Ring
- P x FTG
- Carbon Steel
- HNBR Sealing Element

| PART NO. | P | FTG | BAG QTY. |
|------------|----|-----|----------|
| PWR7481595 | ½ | ½ | 10 |
| PWR7481606 | ¾ | ¾ | 10 |
| PWR7481617 | 1 | 1 | 5 |
| PWR7481628 | 1¼ | 1¼ | 1 |
| PWR7481639 | 1½ | 1½ | 1 |
| PWR7481641 | 2 | 2 | 1 |

TEES (GAS)



TEE

MODEL 411G, 411RG

- Yellow Visual Control Ring
- P x P x P
- Carbon Steel
- HNBR Sealing Element

| PART NO. | P1 | P2 | P3 | BAG QTY. |
|------------|----|----|----|----------|
| PWR7481650 | ½ | ½ | ½ | 5 |
| PWR7481661 | ¾ | ¾ | ¾ | 5 |
| PWR7481672 | 1 | 1 | 1 | 5 |
| PWR7481683 | 1¼ | 1¼ | 1¼ | 1 |
| PWR7481694 | 1½ | 1½ | 1½ | 1 |
| PWR7481705 | 2 | 2 | 2 | 1 |

REDUCING

| PART NO. | P1 | P2 | P3 | BAG QTY. |
|------------|----|----|----|----------|
| PWR7481716 | ¾ | ¾ | ½ | 5 |
| PWR7481727 | 1 | 1 | ½ | 5 |
| PWR7481738 | 1 | 1 | ¾ | 5 |
| PWR7483124 | 1¼ | 1¼ | ½ | 1 |
| PWR7483135 | 1¼ | 1¼ | ¾ | 1 |
| PWR7481749 | 1¼ | 1¼ | 1 | 1 |
| PWR7481751 | 1½ | 1½ | ½ | 1 |
| PWR7481760 | 1½ | 1½ | ¾ | 1 |
| PWR7481771 | 1½ | 1½ | 1 | 1 |
| PWR7481782 | 1½ | 1½ | 1¼ | 1 |
| PWR7481793 | 2 | 2 | ½ | 1 |
| PWR7481804 | 2 | 2 | ¾ | 1 |
| PWR7481815 | 2 | 2 | 1 | 1 |
| PWR7481826 | 2 | 2 | 1¼ | 1 |
| PWR7481837 | 2 | 2 | 1½ | 1 |



New!
size

TEE | FEMALE

MODEL 4712G

- Yellow Visual Control Ring
- P x P x FPT
- Carbon Steel
- HNBR Sealing Element

| PART NO. | P1 | P2 | FPT | BAG QTY. |
|------------|-------|-------|-------|----------|
| PWR7481848 | 3/4 | 3/4 | 1/2 | 5 |
| PWR7481859 | 3/4 | 3/4 | 3/4 | 5 |
| PWR7481861 | 1 | 1 | 1/2 | 5 |
| PWR7481870 | 1 | 1 | 3/4 | 5 |
| PWR7481881 | 1 1/4 | 1 1/4 | 1/2 | 1 |
| PWR7483146 | 1 1/4 | 1 1/4 | 3/4 | 1 |
| PWR7483157 | 1 1/4 | 1 1/4 | 1 | 1 |
| PWR7481892 | 1 1/2 | 1 1/2 | 1/2 | 1 |
| PWR7481903 | 1 1/2 | 1 1/2 | 3/4 | 1 |
| PWR7481914 | 1 1/2 | 1 1/2 | 1 | 1 |
| PWR7481925 | 1 1/2 | 1 1/2 | 1 1/4 | 1 |
| PWR7481936 | 2 | 2 | 1/2 | 1 |
| PWR7481947 | 2 | 2 | 3/4 | 1 |
| PWR7481958 | 2 | 2 | 1 | 1 |
| PWR7481969 | 2 | 2 | 1 1/4 | 1 |
| PWR7481971 | 2 | 2 | 1 1/2 | 1 |

COUPLINGS (GAS)



COUPLING

MODEL 400G

- Yellow Visual Control Ring
- P x P
- Carbon Steel
- HNBR Sealing Element

| PART NO. | P1 | P2 | BAG QTY. |
|------------|-------|-------|----------|
| PWR7481298 | 1/2 | 1/2 | 10 |
| PWR7481309 | 3/4 | 3/4 | 10 |
| PWR7481311 | 1 | 1 | 5 |
| PWR7481320 | 1 1/4 | 1 1/4 | 1 |
| PWR7481331 | 1 1/2 | 1 1/2 | 1 |
| PWR7481342 | 2 | 2 | 1 |



COUPLING | NO STOP

MODEL 401G

- Yellow Visual Control Ring
- P x P
- Carbon Steel
- HNBR Sealing Element

| PART NO. | P1 | P2 | BAG QTY. |
|------------|-------|-------|----------|
| PWR7481353 | 1/2 | 1/2 | 10 |
| PWR7481364 | 3/4 | 3/4 | 10 |
| PWR7481375 | 1 | 1 | 5 |
| PWR7481386 | 1 1/4 | 1 1/4 | 1 |
| PWR7481397 | 1 1/2 | 1 1/2 | 1 |
| PWR7481408 | 2 | 2 | 1 |



New!

COUPLING | REDUCING

MODEL 420G

- Yellow Visual Control Ring
- P x P
- Carbon Steel
- HNBR Sealing Element

| PART NO. | P1 | P2 | BAG QTY. |
|------------|-------|-------|----------|
| PWR7483168 | 3/4 | 1/2 | 5 |
| PWR7483179 | 1 | 1/2 | 5 |
| PWR7483181 | 1 | 3/4 | 1 |
| PWR7483190 | 1 1/4 | 3/4 | 1 |
| PWR7483201 | 1 1/4 | 1 | 1 |
| PWR7483212 | 1 1/2 | 1 1/4 | 1 |
| PWR7483223 | 2 | 1 1/4 | 1 |
| PWR7483234 | 2 | 1 1/2 | 1 |

FITTING REDUCER (GAS)



FITTING REDUCER MODEL 418G

- Yellow Visual Control Ring
- FTG x P
- Carbon Steel
- HNBR Sealing Element

| PART NO. | FTG | P | BAG QTY. |
|------------|-----|----|----------|
| PWR7481980 | ¾ | ½ | 5 |
| PWR7481991 | 1 | ½ | 5 |
| PWR7482002 | 1 | ¾ | 5 |
| PWR7482013 | 1¼ | 1 | 1 |
| PWR7482024 | 1½ | ¾ | 1 |
| PWR7482035 | 1½ | 1 | 1 |
| PWR7482046 | 1½ | 1¼ | 1 |
| PWR7482057 | 2 | 1 | 1 |
| PWR7482068 | 2 | 1¼ | 1 |
| PWR7482079 | 2 | 1½ | 1 |

ADAPTERS (GAS)



ADAPTER | FEMALE MODEL 403G, 403RG

- Yellow Visual Control Ring
- P x FPT
- Carbon Steel
- HNBR Sealing Element

| PART NO. | P | FPT | BAG QTY. |
|------------|----|-----|----------|
| PWR7482145 | ½ | ½ | 10 |
| PWR7482167 | ¾ | ¾ | 10 |
| PWR7482191 | 1 | 1 | 5 |
| PWR7482233 | 1¼ | 1¼ | 5 |
| PWR7482288 | 1½ | 1½ | 1 |
| PWR7482343 | 2 | 2 | 1 |

REDUCING

| PART NO. | P | FPT | BAG QTY. |
|------------|----|-----|----------|
| PWR7482156 | ¾ | ½ | 10 |
| PWR7482178 | 1 | ½ | 10 |
| PWR7482189 | 1 | ¾ | 5 |
| PWR7482200 | 1¼ | ½ | 1 |
| PWR7482211 | 1¼ | ¾ | 1 |
| PWR7482222 | 1¼ | 1 | 1 |
| PWR7482244 | 1½ | ½ | 1 |
| PWR7482255 | 1½ | ¾ | 1 |
| PWR7482266 | 1½ | 1 | 1 |
| PWR7482277 | 1½ | 1¼ | 1 |
| PWR7482299 | 2 | ½ | 1 |
| PWR7482301 | 2 | ¾ | 1 |
| PWR7482310 | 2 | 1 | 1 |
| PWR7482321 | 2 | 1¼ | 1 |
| PWR7482332 | 2 | 1½ | 1 |



ADAPTER | MALE MODEL 404G

- Yellow Visual Control Ring
- P x MPT
- Carbon Steel
- HNBR Sealing Element

| PART NO. | P | MPT | BAG QTY. |
|------------|----|-----|----------|
| PWR7482081 | ½ | ½ | 10 |
| PWR7482090 | ¾ | ¾ | 10 |
| PWR7482101 | 1 | 1 | 5 |
| PWR7482112 | 1¼ | 1¼ | 5 |
| PWR7482123 | 1½ | 1½ | 1 |
| PWR7482134 | 2 | 2 | 1 |

FLANGES (GAS)



FLANGE ADAPTER | ANSI CLASS 150

MODEL 4771G

- Yellow Visual Control Ring
- P x Flange (BP:4)
- Carbon Steel
- HNBR Sealing Element

| PART NO. | P | FLG | BAG QTY. |
|------------|-------|-------|----------|
| PWR7482411 | 1/2 | 1/2 | 1 |
| PWR7482420 | 3/4 | 3/4 | 1 |
| PWR7482431 | 1 | 1 | 1 |
| PWR7482442 | 1 1/4 | 1 1/4 | 1 |
| PWR7482453 | 1 1/2 | 1 1/2 | 1 |
| PWR7482464 | 2 | 2 | 1 |

UNIONS (GAS)



UNION

MODEL 4733G

- Yellow Visual Control Ring
- P x P
- Carbon Steel
- HNBR Sealing Element

| PART NO. | P1 | P2 | BAG QTY. |
|------------|-------|-------|----------|
| PWR7482354 | 1/2 | 1/2 | 5 |
| PWR7482365 | 3/4 | 3/4 | 5 |
| PWR7482376 | 1 | 1 | 5 |
| PWR7482387 | 1 1/4 | 1 1/4 | 1 |
| PWR7482398 | 1 1/2 | 1 1/2 | 1 |
| PWR7482409 | 2 | 2 | 1 |



New!

UNION | FEMALE

MODEL 4734G

- Yellow Visual Control Ring
- P x FPT
- Carbon Steel
- HNBR Sealing Element

| PART NO. | P1 | FPT | BAG QTY. |
|------------|-------|-------|----------|
| PWR7483300 | 1/2 | 1/2 | 5 |
| PWR7483311 | 3/4 | 3/4 | 5 |
| PWR7483322 | 1 | 1 | 5 |
| PWR7483333 | 1 1/4 | 1 1/4 | 1 |
| PWR7483344 | 1 1/2 | 1 1/2 | 1 |
| PWR7483355 | 2 | 2 | 1 |

CAPS (GAS)



TUBE CAP

MODEL 417G

- Yellow Visual Control Ring
- P x Cap
- Carbon Steel
- HNBR Sealing Element

| PART NO. | P | BAG QTY. |
|------------|-------|----------|
| PWR7482475 | 1/2 | 10 |
| PWR7482486 | 3/4 | 10 |
| PWR7482497 | 1 | 5 |
| PWR7482508 | 1 1/4 | 1 |
| PWR7482519 | 1 1/2 | 1 |
| PWR7482521 | 2 | 1 |

90° ELBOW

P x P

| DESCRIPTION | APOLLO POWERPRESS | VIEGA MEGAPRESS |
|-------------------------------|-------------------|-----------------|
| 90° Elbow, EPDM, 407, PxP, ½ | PWR7480121 | 25200 |
| 90° Elbow, EPDM, 407, PxP, ¾ | PWR7480132 | 25205 |
| 90° Elbow, EPDM, 407, PxP, 1 | PWR7480143 | 25210 |
| 90° Elbow, EPDM, 407, PxP, 1¼ | PWR7480154 | 25215 |
| 90° Elbow, EPDM, 407, PxP, 1½ | PWR7480165 | 25220 |
| 90° Elbow, EPDM, 407, PxP, 2 | PWR7480176 | 25225 |

P x FTG

| DESCRIPTION | APOLLO POWERPRESS | VIEGA MEGAPRESS |
|--|-------------------|-----------------|
| 90° Street Elbow, EPDM, 407-2, PxFTG, ½ | PWR7480187 | 26050 |
| 90° Street Elbow, EPDM, 407-2, PxFTG, ¾ | PWR7480198 | 26055 |
| 90° Street Elbow, EPDM, 407-2, PxFTG, 1 | PWR7480209 | 26060 |
| 90° Street Elbow, EPDM, 407-2, PxFTG, 1¼ | PWR7480211 | 26065 |
| 90° Street Elbow, EPDM, 407-2, PxFTG, 1½ | PWR7480220 | 26070 |
| 90° Street Elbow, EPDM, 407-2, PxFTG, 2 | PWR7480231 | 26075 |

45° ELBOW

P x P

| DESCRIPTION | APOLLO POWERPRESS | VIEGA MEGAPRESS |
|-------------------------------|-------------------|-----------------|
| 45° Elbow, EPDM, 406, PxP, ½ | PWR7480242 | 25230 |
| 45° Elbow, EPDM, 406, PxP, ¾ | PWR7480253 | 25235 |
| 45° Elbow, EPDM, 406, PxP, 1 | PWR7480264 | 25240 |
| 45° Elbow, EPDM, 406, PxP, 1¼ | PWR7480275 | 25245 |
| 45° Elbow, EPDM, 406, PxP, 1½ | PWR7480286 | 25250 |
| 45° Elbow, EPDM, 406, PxP, 2 | PWR7480297 | 25255 |

P x FTG

| DESCRIPTION | APOLLO POWERPRESS | VIEGA MEGAPRESS |
|--|-------------------|-----------------|
| 45° Street Elbow, EPDM, 406-2, PxFTG, ½ | PWR7480308 | 26100 |
| 45° Street Elbow, EPDM, 406-2, PxFTG, ¾ | PWR7480319 | 26105 |
| 45° Street Elbow, EPDM, 406-2, PxFTG, 1 | PWR7480321 | 26110 |
| 45° Street Elbow, EPDM, 406-2, PxFTG, 1¼ | PWR7480330 | 26115 |
| 45° Street Elbow, EPDM, 406-2, PxFTG, 1½ | PWR7480341 | 26120 |
| 45° Street Elbow, EPDM, 406-2, PxFTG, 2 | PWR7480352 | 26125 |

TEES

P x P x P

| DESCRIPTION | APOLLO POWERPRESS | VIEGA MEGAPRESS |
|---|-------------------|-----------------|
| Tee, EPDM, 411, P x P x P, ½ | PWR7480363 | 25300 |
| Tee - Reducing Outlet, EPDM, 411R, P x P x P, ¾ x ¾ x ½ | PWR7480429 | 25330 |
| Tee, EPDM, 411, P x P x P, ¾ | PWR7480374 | 25305 |
| Tee - Reducing Outlet, EPDM, 411R, P x P x P, 1 x 1 x ½ | PWR7480431 | 25335 |
| Tee - Reducing Outlet, EPDM, 411R, P x P x P, 1 x 1 x ¾ | PWR7480440 | 25340 |
| Tee, EPDM, 411, P x P x P, 1 | PWR7480385 | 25310 |
| Tee - Reducing Outlet, EPDM, 411R, P x P x P, 1 ¼ x 1 ¼ x ½ | PWR7483003 | 25510 |
| Tee - Reducing Outlet, EPDM, 411R, P x P x P, 1 ¼ x 1 ¼ x ¾ | PWR7483014 | 25515 |
| Tee - Reducing Outlet, EPDM, 411R, P x P x P, 1 ¼ x 1 ¼ x 1 | PWR7480451 | 25350 |
| Tee, EPDM, 411, P x P x P, 1 ¼ | PWR7480396 | 25315 |
| Tee - Reducing Outlet, EPDM, 411R, P x P x P, 1 ½ x 1 ½ x ½ | PWR7480462 | 25360 |
| Tee - Reducing Outlet, EPDM, 411R, P x P x P, 1 ½ x 1 ½ x ¾ | PWR7480473 | 25365 |
| Tee - Reducing Outlet, EPDM, 411R, P x P x P, 1 ½ x 1 ½ x 1 | PWR7480484 | 25370 |
| Tee - Reducing Outlet, EPDM, 411R, P x P x P, 1 ½ x 1 ½ x 1 ¼ | PWR7480495 | 25375 |
| Tee, EPDM, 411, P x P x P, 1 ½ | PWR7480407 | 25320 |
| Tee - Reducing Outlet, EPDM, 411R, P x P x P, 2 x 2 x ½ | PWR7480506 | 25380 |
| Tee - Reducing Outlet, EPDM, 411R, P x P x P, 2 x 2 x ¾ | PWR7480517 | 25385 |
| Tee - Reducing Outlet, EPDM, 411R, P x P x P, 2 x 2 x 1 | PWR7480528 | 25390 |
| Tee - Reducing Outlet, EPDM, 411R, P x P x P, 2 x 2 x 1 ¼ | PWR7480539 | 25395 |
| Tee - Reducing Outlet, EPDM, 411R, P x P x P, 2 x 2 x 1 ½ | PWR7480541 | 25400 |
| Tee, EPDM, 411, P x P x P, 2 | PWR7480418 | 25325 |

P x P x FPT

| DESCRIPTION | APOLLO POWERPRESS | VIEGA MEGAPRESS |
|---|-------------------|-----------------|
| Tee - Female Outlet, EPDM, 4712, P x P x FPT, ¾ x ¾ x ½ | PWR7480550 | 25405 |
| Tee - Female Outlet, EPDM, 4712, P x P x FPT, ¾ x ¾ x ¾ | PWR7480561 | 25480 |
| Tee - Female Outlet, EPDM, 4712, P x P x FPT, 1 x 1 x ½ | PWR7480572 | 25410 |
| Tee - Female Outlet, EPDM, 4712, P x P x FPT, 1 x 1 x ¾ | PWR7480583 | 25415 |
| Tee - Female Outlet, EPDM, 4712, P x P x FPT, 1 ¼ x 1 ¼ x ½ | PWR7480594 | 25485 |
| Tee - Female Outlet, EPDM, 4712, P x P x FPT, 1 ¼ x 1 ¼ x ¾ | PWR7483102 | 25506 |
| Tee - Female Outlet, EPDM, 4712, P x P x FPT, 1 ¼ x 1 ¼ x 1 | PWR7483113 | 25501 |
| Tee - Female Outlet, EPDM, 4712, P x P x FPT, 1 ½ x 1 ½ x ½ | PWR7480605 | 25435 |
| Tee - Female Outlet, EPDM, 4712, P x P x FPT, 1 ½ x 1 ½ x ¾ | PWR7480616 | 25440 |
| Tee - Female Outlet, EPDM, 4712, P x P x FPT, 1 ½ x 1 ½ x 1 | PWR7480627 | 25445 |
| Tee - Female Outlet, EPDM, 4712, P x P x FPT, 1 ½ x 1 ½ x 1 ¼ | PWR7480638 | 25450 |
| Tee - Female Outlet, EPDM, 4712, P x P x FPT, 2 x 2 x ½ | PWR7480649 | 25455 |
| Tee - Female Outlet, EPDM, 4712, P x P x FPT, 2 x 2 x ¾ | PWR7480651 | 25460 |
| Tee - Female Outlet, EPDM, 4712, P x P x FPT, 2 x 2 x 1 | PWR7480660 | 25465 |
| Tee - Female Outlet, EPDM, 4712, P x P x FPT, 2 x 2 x 1 ¼ | PWR7480671 | 25470 |
| Tee - Female Outlet, EPDM, 4712, P x P x FPT, 2 x 2 x 1 ½ | PWR7480682 | 25475 |

COUPLING

P x P

| DESCRIPTION | APOLLO POWERPRESS | VIEGA MEGAPRESS |
|--|-------------------|-----------------|
| Coupling with Stop, EPDM, 400, P x P, ½ | PWR7480000 | 25000 |
| Coupling with Stop, EPDM, 400, P x P, ¾ | PWR7480011 | 22005 |
| Coupling with Stop, EPDM, 400, P x P, 1 | PWR7480022 | 25010 |
| Coupling with Stop, EPDM, 400, P x P, 1¼ | PWR7480033 | 25015 |
| Coupling with Stop, EPDM, 400, P x P, 1½ | PWR7480044 | 25020 |
| Coupling with Stop, EPDM, 400, P x P, 2 | PWR7480055 | 25025 |

COUPLING | NO STOP

P x P

| DESCRIPTION | APOLLO POWERPRESS | VIEGA MEGAPRESS |
|--|-------------------|-----------------|
| Coupling No Stop, EPDM, 401, P x P, ½ | PWR7480066 | 25030 |
| Reducer Coupling, EPDM, 420G, P x P, ¾x½ | PWR7483025 | 25930 |
| Coupling No Stop, EPDM, 401, P x P, ¾ | PWR7480077 | 25035 |
| Reducer Coupling, EPDM, 420G, P x P, 1x½ | PWR7483036 | 25935 |
| Reducer Coupling, EPDM, 420G, P x P, 1x¾ | PWR7483047 | 25940 |
| Coupling No Stop, EPDM, 401, P x P, 1 | PWR7480088 | 25040 |
| Reducer Coupling, EPDM, 420G, P x P, 1¼x¾ | PWR7483058 | 25945 |
| Reducer Coupling, EPDM, 420G, P x P, 1¼x1 | PWR7483069 | 25950 |
| Coupling No Stop, EPDM, 401, P x P, 1¼ | PWR7480099 | 25045 |
| Reducer Coupling, EPDM, 420G, P x P, 1½x1¼ | PWR7483071 | 25955 |
| Coupling No Stop, EPDM, 401, P x P, 1½ | PWR7480101 | 25050 |
| Reducer Coupling, EPDM, 420G, P x P, 2x1¼ | PWR7483080 | 25960 |
| Reducer Coupling, EPDM, 420G, P x P, 2x1½ | PWR7483091 | 25965 |
| Coupling No Stop, EPDM, 401, P x P, 2 | PWR7480110 | 25055 |

FITTING REDUCER

FTG x P

| DESCRIPTION | APOLLO POWERPRESS | VIEGA MEGAPRESS |
|--|-------------------|-----------------|
| Fitting Reducer, EPDM, 418, FTG x P, ¾x½ | PWR7480693 | 26000 |
| Fitting Reducer, EPDM, 418, FTG x P, 1x½ | PWR7480704 | 26005 |
| Fitting Reducer, EPDM, 418, FTG x P, 1x¾ | PWR7480715 | 26010 |
| Fitting Reducer, EPDM, 418, FTG x P, 1¼x1 | PWR7480748 | 26015 |
| Fitting Reducer, EPDM, 418, FTG x P, 1½x¾ | PWR7480761 | 26020 |
| Fitting Reducer, EPDM, 418, FTG x P, 1½x1 | PWR7480770 | 26025 |
| Fitting Reducer, EPDM, 418, FTG x P, 1½x1¼ | PWR7480781 | 26030 |
| Fitting Reducer, EPDM, 418, FTG x P, 2x1 | PWR7480814 | 26035 |
| Fitting Reducer, EPDM, 418, FTG x P, 2x1¼ | PWR7480825 | 26040 |
| Fitting Reducer, EPDM, 418, FTG x P, 2x1½ | PWR7480836 | 26045 |

ADAPTER

P x FPT

| DESCRIPTION | APOLLO POWERPRESS | VIEGA MEGAPRESS |
|--|-------------------|-----------------|
| Female Thread Adapter, EPDM, 403, PxFPT, ½x½ | PWR7480902 | 25130 |
| Female Thread Adapter, EPDM, 403, PxFPT, ¾x½ | PWR7480913 | 25575 |
| Female Thread Adapter, EPDM, 403, PxFPT, ¾x¾ | PWR7480924 | 25135 |
| Female Thread Adapter, EPDM, 403, PxFPT, 1x½ | PWR7480935 | 25580 |
| Female Thread Adapter, EPDM, 403, PxFPT, 1x¾ | PWR7480946 | 25585 |
| Female Thread Adapter, EPDM, 403, PxFPT, 1x1 | PWR7480957 | 25140 |
| Female Thread Adapter, EPDM, 403, PxFPT, 1¼x½ | PWR7480968 | 25590 |
| Female Thread Adapter, EPDM, 403, PxFPT, 1¼x¾ | PWR7480979 | 25595 |
| Female Thread Adapter, EPDM, 403, PxFPT, 1¼x1 | PWR7480981 | 25600 |
| Female Thread Adapter, EPDM, 403, PxFPT, 1¼x1¼ | PWR7480990 | 25145 |
| Female Thread Adapter, EPDM, 403, PxFPT, 1½x½ | PWR7481001 | 25605 |
| Female Thread Adapter, EPDM, 403, PxFPT, 1½x¾ | PWR7481012 | 25610 |
| Female Thread Adapter, EPDM, 403, PxFPT, 1½x1 | PWR7481023 | 25615 |
| Female Thread Adapter, EPDM, 403, PxFPT, 1½x1¼ | PWR7481034 | 25620 |
| Female Thread Adapter, EPDM, 403, PxFPT, 1½x1½ | PWR7481045 | 25150 |
| Female Thread Adapter, EPDM, 403, PxFPT, 2x½ | PWR7481056 | 25625 |
| Female Thread Adapter, EPDM, 403, PxFPT, 2x¾ | PWR7481067 | 25630 |
| Female Thread Adapter, EPDM, 403, PxFPT, 2x1 | PWR7481078 | 25635 |
| Female Thread Adapter, EPDM, 403, PxFPT, 2x1¼ | PWR7481089 | 25640 |
| Female Thread Adapter, EPDM, 403, PxFPT, 2x1½ | PWR7481091 | 25645 |
| Female Thread Adapter, EPDM, 403, PxFPT, 2x2 | PWR7481100 | 25155 |

P x MPT

| DESCRIPTION | APOLLO POWERPRESS | VIEGA MEGAPRESS |
|--|-------------------|-----------------|
| Male Thread Adapter, EPDM, 404, PxMPT, ½x½ | PWR7480847 | 25100 |
| Male Thread Adapter, EPDM, 404, PxMPT, ¾x¾ | PWR7480858 | 25105 |
| Male Thread Adapter, EPDM, 404, PxMPT, 1x1 | PWR7480869 | 25110 |
| Male Thread Adapter, EPDM, 404, PxMPT, 1¼x1¼ | PWR7480871 | 25115 |
| Male Thread Adapter, EPDM, 404, PxMPT, 1½x1½ | PWR7480880 | 25120 |
| Male Thread Adapter, EPDM, 404, PxMPT, 2x2 | PWR7480891 | 25125 |

FLANGE ADAPTER | ANSI CLASS 150

P x FLANGE

| DESCRIPTION | APOLLO POWERPRESS | VIEGA MEGAPRESS |
|---|-------------------|-----------------|
| Flange Adapter Class 150, EPDM, 4771, PxFLG, ½ | PWR7481177 | 25760 |
| Flange Adapter Class 150, EPDM, 4771, PxFLG, ¾ | PWR7481188 | 25765 |
| Flange Adapter Class 150, EPDM, 4771, PxFLG, 1 | PWR7481199 | 25770 |
| Flange Adapter Class 150, EPDM, 4771, PxFLG, 1¼ | PWR7481201 | 25775 |
| Flange Adapter Class 150, EPDM, 4771, PxFLG, 1½ | PWR7481210 | 25780 |
| Flange Adapter Class 150, EPDM, 4771, PxFLG, 2 | PWR7481221 | 25785 |

UNIONS

P x P

| DESCRIPTION | APOLLO POWERPRESS | VIEGA MEGAPRESS |
|----------------------------|-------------------|-----------------|
| Union, EPDM, 4733, PxP, ½ | PWR7481111 | 25700 |
| Union, EPDM, 4733, PxP, ¾ | PWR7481122 | 25705 |
| Union, EPDM, 4733, PxP, 1 | PWR7481133 | 25710 |
| Union, EPDM, 4733, PxP, 1¼ | PWR7481144 | 25715 |
| Union, EPDM, 4733, PxP, 1½ | PWR7481155 | 25720 |
| Union, EPDM, 4733, PxP, 2 | PWR7481166 | 25725 |

P x FPT

| DESCRIPTION | APOLLO POWERPRESS | VIEGA MEGAPRESS |
|-------------------------------------|-------------------|-----------------|
| Female Union, EPDM, 4733, PxFPT, ½ | PWR7483245 | 25650 |
| Female Union, EPDM, 4733, PxFPT, ¾ | PWR7483256 | 25655 |
| Female Union, EPDM, 4733, PxFPT, 1 | PWR7483267 | 25660 |
| Female Union, EPDM, 4733, PxFPT, 1¼ | PWR7483278 | 25665 |
| Female Union, EPDM, 4733, PxFPT, 1½ | PWR7483289 | 25670 |
| Female Union, EPDM, 4733, PxFPT, 2 | PWR7483291 | 25675 |

CAPS

TUBE CAP

| DESCRIPTION | APOLLO POWERPRESS | VIEGA MEGAPRESS |
|---------------------------|-------------------|-----------------|
| Cap, EPDM, 417, PxCAP, ½ | PWR7481232 | 25730 |
| Cap, EPDM, 417, PxCAP, ¾ | PWR7481243 | 25735 |
| Cap, EPDM, 417, PxCAP, 1 | PWR7481254 | 25740 |
| Cap, EPDM, 417, PxCAP, 1¼ | PWR7481265 | 25745 |
| Cap, EPDM, 417, PxCAP, 1½ | PWR7481276 | 25750 |
| Cap, EPDM, 417, PxCAP, 2 | PWR7481287 | 25755 |

90° ELBOW

P x P

| DESCRIPTION | APOLLO POWERPRESS | VIEGA MEGAPRESSG |
|-------------------------------------|-------------------|------------------|
| 90° Elbow, Gas, HNBR, 407G, PxP, ½ | PWR7481419 | 25201 |
| 90° Elbow, Gas, HNBR, 407G, PxP, ¾ | PWR7481421 | 25206 |
| 90° Elbow, Gas, HNBR, 407G, PxP, 1 | PWR7481430 | 25211 |
| 90° Elbow, Gas, HNBR, 407G, PxP, 1¼ | PWR7481441 | 25216 |
| 90° Elbow, Gas, HNBR, 407G, PxP, 1½ | PWR7481452 | 25221 |
| 90° Elbow, Gas, HNBR, 407G, PxP, 2 | PWR7481463 | 25226 |

P x FTG

| DESCRIPTION | APOLLO POWERPRESS | VIEGA MEGAPRESSG |
|--|-------------------|------------------|
| 90° Street Elbow, Gas, HNBR, 407-2G, PxFTG, ½ | PWR7481474 | 26051 |
| 90° Street Elbow, Gas, HNBR, 407-2G, PxFTG, ¾ | PWR7481485 | 26056 |
| 90° Street Elbow, Gas, HNBR, 407-2G, PxFTG, 1 | PWR7481496 | 26061 |
| 90° Street Elbow, Gas, HNBR, 407-2G, PxFTG, 1¼ | PWR7481507 | 26066 |
| 90° Street Elbow, Gas, HNBR, 407-2G, PxFTG, 1½ | PWR7481518 | 26071 |
| 90° Street Elbow, Gas, HNBR, 407-2G, PxFTG, 2 | PWR7481529 | 26076 |

45° ELBOW

P x P

| DESCRIPTION | APOLLO POWERPRESS | VIEGA MEGAPRESSG |
|-------------------------------------|-------------------|------------------|
| 45° Elbow, Gas, HNBR, 406G, PxP, ½ | PWR7481531 | 25231 |
| 45° Elbow, Gas, HNBR, 406G, PxP, ¾ | PWR7481540 | 25236 |
| 45° Elbow, Gas, HNBR, 406G, PxP, 1 | PWR7481551 | 25241 |
| 45° Elbow, Gas, HNBR, 406G, PxP, 1¼ | PWR7481562 | 25246 |
| 45° Elbow, Gas, HNBR, 406G, PxP, 1½ | PWR7481573 | 25251 |
| 45° Elbow, Gas, HNBR, 406G, PxP, 2 | PWR7481584 | 25256 |

P x FTG

| DESCRIPTION | APOLLO POWERPRESS | VIEGA MEGAPRESSG |
|--|-------------------|------------------|
| 45° Street Elbow, Gas, HNBR, 406-2G, PxFTG, ½ | PWR7481595 | 26101 |
| 45° Street Elbow, Gas, HNBR, 406-2G, PxFTG, ¾ | PWR7481606 | 26106 |
| 45° Street Elbow, Gas, HNBR, 406-2G, PxFTG, 1 | PWR7481617 | 26111 |
| 45° Street Elbow, Gas, HNBR, 406-2G, PxFTG, 1¼ | PWR7481628 | 26116 |
| 45° Street Elbow, Gas, HNBR, 406-2G, PxFTG, 1½ | PWR7481639 | 26121 |
| 45° Street Elbow, Gas, HNBR, 406-2G, PxFTG, 2 | PWR7481641 | 26126 |

TEES

P x P x P

| DESCRIPTION | APOLLO POWERPRESS | VIEGA MEGAPRESSG |
|---|-------------------|------------------|
| Tee, Gas, HNBR, 411G, P x P x P, 1/2 | PWR7481650 | 25301 |
| Tee - Reducing Outlet, Gas, HNBR, 411RG, P x P x P, 3/4 x 3/4 x 1/2 | PWR7481716 | 25331 |
| Tee, Gas, HNBR, 411G, P x P x P, 3/4 | PWR7481661 | 25306 |
| Tee - Reducing Outlet, Gas, HNBR, 411RG, P x P x P, 1 x 1 x 1/2 | PWR7481727 | 25336 |
| Tee - Reducing Outlet, Gas, HNBR, 411RG, P x P x P, 1 x 1 x 3/4 | PWR7481738 | 25341 |
| Tee, Gas, HNBR, 411G, P x P x P, 1 | PWR7481672 | 25311 |
| Tee - Reducing Outlet, Gas, HNBR, 411RG, P x P x P, 1 1/4 x 1 1/4 x 1/2 | PWR7483124 | 25491 |
| Tee - Reducing Outlet, Gas, EPDM, 411RG, P x P x P, 1 1/4 x 1 1/4 x 3/4 | PWR7483135 | 25496 |
| Tee - Reducing Outlet, Gas, HNBR, 411RG, P x P x P, 1 1/4 x 1 1/4 x 1 | PWR7481749 | 25351 |
| Tee, Gas, HNBR, 411G, P x P x P, 1 1/4 | PWR7481683 | 25316 |
| Tee - Reducing Outlet, Gas, HNBR, 411RG, P x P x P, 1 1/2 x 1 1/2 x 1/2 | PWR7481751 | 25361 |
| Tee - Reducing Outlet, Gas, HNBR, 411RG, P x P x P, 1 1/2 x 1 1/2 x 3/4 | PWR7481760 | 25366 |
| Tee - Reducing Outlet, Gas, HNBR, 411RG, P x P x P, 1 1/2 x 1 1/2 x 1 | PWR7481771 | 25371 |
| Tee - Reducing Outlet, Gas, HNBR, 411RG, P x P x P, 1 1/2 x 1 1/2 x 1 1/4 | PWR7481782 | 25376 |
| Tee, Gas, HNBR, 411G, P x P x P, 1 1/2 | PWR7481694 | 25321 |
| Tee - Reducing Outlet, Gas, HNBR, 411RG, P x P x P, 2 x 2 x 1/2 | PWR7481793 | 25381 |
| Tee - Reducing Outlet, Gas, HNBR, 411RG, P x P x P, 2 x 2 x 3/4 | PWR7481804 | 25386 |
| Tee - Reducing Outlet, Gas, HNBR, 411RG, P x P x P, 2 x 2 x 1 | PWR7481815 | 25391 |
| Tee - Reducing Outlet, Gas, HNBR, 411RG, P x P x P, 2 x 2 x 1 1/4 | PWR7481826 | 25396 |
| Tee - Reducing Outlet, Gas, HNBR, 411RG, P x P x P, 2 x 2 x 1 1/2 | PWR7481837 | 25401 |
| Tee, Gas, HNBR, 411G, P x P x P, 2 | PWR7481705 | 25326 |

P x P x FPT

| DESCRIPTION | APOLLO POWERPRESS | VIEGA MEGAPRESSG |
|---|-------------------|------------------|
| Tee - Female Outlet, Gas, HNBR, 4712G, P x P x FPT, 3/4 x 3/4 x 1/2 | PWR7481848 | 25406 |
| Tee - Female Outlet, Gas, HNBR, 4712G, P x P x FPT, 3/4 x 3/4 x 3/4 | PWR7481859 | 25481 |
| Tee - Female Outlet, Gas, HNBR, 4712G, P x P x FPT, 1 x 1 x 1/2 | PWR7481861 | 25411 |
| Tee - Female Outlet, Gas, HNBR, 4712G, P x P x FPT, 1 x 1 x 3/4 | PWR7481870 | 25416 |
| Tee - Female Outlet, Gas, HNBR, 4712G, P x P x FPT, 1 1/4 x 1 1/4 x 1/2 | PWR7481881 | 25486 |
| Tee - Female Outlet, Gas, HNBR, 4712G, P x P x FPT, 1 1/4 x 1 1/4 x 3/4 | PWR7483146 | 25506 |
| Tee - Female Outlet, Gas, HNBR, 4712G, P x P x FPT, 1 1/4 x 1 1/4 x 1 | PWR7483157 | 25501 |
| Tee - Female Outlet, Gas, HNBR, 4712G, P x P x FPT, 1 1/2 x 1 1/2 x 1/2 | PWR7481892 | 25436 |
| Tee - Female Outlet, Gas, HNBR, 4712G, P x P x FPT, 1 1/2 x 1 1/2 x 3/4 | PWR7481903 | 25441 |
| Tee - Female Outlet, Gas, HNBR, 4712G, P x P x FPT, 1 1/2 x 1 1/2 x 1 | PWR7481914 | 25446 |
| Tee - Female Outlet, Gas, HNBR, 4712G, P x P x FPT, 1 1/2 x 1 1/2 x 1 1/4 | PWR7481925 | 25451 |
| Tee - Female Outlet, Gas, HNBR, 4712G, P x P x FPT, 2 x 2 x 1/2 | PWR7481936 | 25456 |
| Tee - Female Outlet, Gas, HNBR, 4712G, P x P x FPT, 2 x 2 x 3/4 | PWR7481947 | 25461 |
| Tee - Female Outlet, Gas, HNBR, 4712G, P x P x FPT, 2 x 2 x 1 | PWR7481958 | 25466 |
| Tee - Female Outlet, Gas, HNBR, 4712G, P x P x FPT, 2 x 2 x 1 1/4 | PWR7481969 | 25471 |
| Tee - Female Outlet, Gas, HNBR, 4712G, P x P x FPT, 2 x 2 x 1 1/2 | PWR7481971 | 25476 |

COUPLING

P x P

| DESCRIPTION | APOLLO POWERPRESS | VIEGA MEGAPRESSG |
|--|-------------------|------------------|
| Coupling with Stop, Gas, HNBR, 400G, PxP, ½ | PWR7481298 | 25001 |
| Coupling with Stop, Gas, HNBR, 400G, PxP, ¾ | PWR7481309 | 22009 |
| Coupling with Stop, Gas, HNBR, 400G, PxP, 1 | PWR7481311 | 25011 |
| Coupling with Stop, Gas, HNBR, 400G, PxP, 1¼ | PWR7481320 | 25016 |
| Coupling with Stop, Gas, HNBR, 400G, PxP, 1½ | PWR7481331 | 25021 |
| Coupling with Stop, Gas, HNBR, 400G, PxP, 2 | PWR7481342 | 25026 |

COUPLING | NO STOP

P x P

| DESCRIPTION | APOLLO POWERPRESS | VIEGA MEGAPRESSG |
|---|-------------------|------------------|
| Coupling No Stop, Gas, HNBR, 401G, PxP, ½ | PWR7481353 | 25031 |
| Reducer Coupling, Gas, HNBR, 420G, PxP, ¾x½ | PWR7483168 | 25931 |
| Coupling No Stop, Gas, HNBR, 401G, PxP, ¾ | PWR7481364 | 25036 |
| Reducer Coupling, Gas, HNBR, 420G, PxP, 1x½ | PWR7483179 | 25936 |
| Reducer Coupling, Gas, HNBR, 420G, PxP, 1x¾ | PWR7483181 | 25941 |
| Coupling No Stop, Gas, HNBR, 401G, PxP, 1 | PWR7481375 | 25041 |
| Reducer Coupling, Gas, HNBR, 420G, PxP, 1¼x¾ | PWR7483190 | 25946 |
| Reducer Coupling, Gas, HNBR, 420G, PxP, 1¼x1 | PWR7483201 | 25951 |
| Coupling No Stop, Gas, HNBR, 401G, PxP, 1¼ | PWR7481386 | 25046 |
| Reducer Coupling, Gas, HNBR, 420G, PxP, 1½x1¼ | PWR7483212 | 25956 |
| Coupling No Stop, Gas, HNBR, 401G, PxP, 1½ | PWR7481397 | 25051 |
| Reducer Coupling, Gas, HNBR, 420G, PxP, 2x1¼ | PWR7483223 | 25961 |
| Reducer Coupling, Gas, HNBR, 420G, PxP, 2x1½ | PWR7483234 | 25966 |
| Coupling No Stop, Gas, HNBR, 401G, PxP, 2 | PWR7481408 | 25056 |

FITTING REDUCER

FTG x P

| DESCRIPTION | APOLLO POWERPRESS | VIEGA MEGAPRESSG |
|--|-------------------|------------------|
| Fitting Reducer, Gas, HNBR, 418G, FTGxP, ¾x½ | PWR7481980 | 26001 |
| Fitting Reducer, Gas, HNBR, 418G, FTGxP, 1x½ | PWR7481991 | 26006 |
| Fitting Reducer, Gas, HNBR, 418G, FTGxP, 1x¾ | PWR7482002 | 26011 |
| Fitting Reducer, Gas, HNBR, 418G, FTGxP, 1¼x1 | PWR7482013 | 26016 |
| Fitting Reducer, Gas, HNBR, 418G, FTGxP, 1½x¾ | PWR7482024 | 26021 |
| Fitting Reducer, Gas, HNBR, 418G, FTGxP, 1½x1 | PWR7482035 | 26031 |
| Fitting Reducer, Gas, HNBR, 418G, FTGxP, 1½x1¼ | PWR7482046 | 26026 |
| Fitting Reducer, Gas, HNBR, 418G, FTGxP, 2x1 | PWR7482057 | 26036 |

| DESCRIPTION | APOLLO POWERPRESS | VIEGA MEGAPRESSG |
|---|-------------------|------------------|
| Fitting Reducer, Gas, HNBR, 418G, FTGxP, 2x1¼ | PWR7482068 | 26041 |
| Fitting Reducer, Gas, HNBR, 418G, FTGxP, 2x1½ | PWR7482079 | 26046 |

ADAPTER

P x FPT

| DESCRIPTION | APOLLO POWERPRESS | VIEGA MEGAPRESSG |
|--|-------------------|------------------|
| Female Thread Adapter, Gas, HNBR, 403G, PxFPT, ½x½ | PWR7482145 | 25131 |
| Female Thread Adapter, Gas, HNBR, 403G, PxFPT, ¾x½ | PWR7482156 | 25576 |
| Female Thread Adapter, Gas, HNBR, 403G, PxFPT, ¾x¾ | PWR7482167 | 25136 |
| Female Thread Adapter, Gas, HNBR, 403G, PxFPT, 1x½ | PWR7482178 | 25581 |
| Female Thread Adapter, Gas, HNBR, 403G, PxFPT, 1x¾ | PWR7482189 | 25586 |
| Female Thread Adapter, Gas, HNBR, 403G, PxFPT, 1x1 | PWR7482191 | 25141 |
| Female Thread Adapter, Gas, HNBR, 403G, PxFPT, 1¼x½ | PWR7482200 | 25591 |
| Female Thread Adapter, Gas, HNBR, 403G, PxFPT, 1¼x¾ | PWR7482211 | 25596 |
| Female Thread Adapter, Gas, HNBR, 403G, PxFPT, 1¼x1 | PWR7482222 | 25601 |
| Female Thread Adapter, Gas, HNBR, 403G, PxFPT, 1¼x1¼ | PWR7482233 | 25146 |
| Female Thread Adapter, Gas, HNBR, 403G, PxFPT, 1½x½ | PWR7482244 | 25606 |
| Female Thread Adapter, Gas, HNBR, 403G, PxFPT, 1½x¾ | PWR7482255 | 25611 |
| Female Thread Adapter, Gas, HNBR, 403G, PxFPT, 1½x1 | PWR7482266 | 25616 |
| Female Thread Adapter, Gas, HNBR, 403G, PxFPT, 1½x1¼ | PWR7482277 | 25621 |
| Female Thread Adapter, Gas, HNBR, 403G, PxFPT, 1½x1½ | PWR7482288 | 25151 |
| Female Thread Adapter, Gas, HNBR, 403G, PxFPT, 2x½ | PWR7482299 | 25626 |
| Female Thread Adapter, Gas, HNBR, 403G, PxFPT, 2x¾ | PWR7482301 | 25631 |
| Female Thread Adapter, Gas, HNBR, 403G, PxFPT, 2x1 | PWR7482310 | 25636 |
| Female Thread Adapter, Gas, HNBR, 403G, PxFPT, 2x1¼ | PWR7482321 | 25641 |
| Female Thread Adapter, Gas, HNBR, 403G, PxFPT, 2x1½ | PWR7482332 | 25646 |
| Female Thread Adapter, Gas, HNBR, 403G, PxFPT, 2x2 | PWR7482343 | 25156 |

P x MPT

| DESCRIPTION | APOLLO POWERPRESS | VIEGA MEGAPRESSG |
|--|-------------------|------------------|
| Male Thread Adapter, Gas, HNBR, 404G, PxMPT, ½x½ | PWR7482081 | 25101 |
| Male Thread Adapter, Gas, HNBR, 404G, PxMPT, ¾x¾ | PWR7482090 | 25106 |
| Male Thread Adapter, Gas, HNBR, 404G, PxMPT, 1x1 | PWR7482101 | 25111 |
| Male Thread Adapter, Gas, HNBR, 404G, PxMPT, 1¼x1¼ | PWR7482112 | 25116 |
| Male Thread Adapter, Gas, HNBR, 404G, PxMPT, 1½x1½ | PWR7482123 | 25121 |
| Male Thread Adapter, Gas, HNBR, 404G, PxMPT, 2x2 | PWR7482134 | 25126 |

FLANGE ADAPTER | ANSI CLASS 150

P x FLANGE

| DESCRIPTION | APOLLO POWERPRESS | VIEGA MEGAPRESSG |
|---|-------------------|------------------|
| Flange Adapter Class 150, Gas, HNBR, 4771G, PxFLG, ½ | PWR7482411 | 25761 |
| Flange Adapter Class 150, Gas, HNBR, 4771G, PxFLG, ¾ | PWR7482420 | 25766 |
| Flange Adapter Class 150, Gas, HNBR, 4771G, PxFLG, 1 | PWR7482431 | 25771 |
| Flange Adapter Class 150, Gas, HNBR, 4771G, PxFLG, 1¼ | PWR7482442 | 25776 |
| Flange Adapter Class 150, Gas, HNBR, 4771G, PxFLG, 1½ | PWR7482453 | 25781 |
| Flange Adapter Class 150, Gas, HNBR, 4771G, PxFLG, 2 | PWR7482464 | 25786 |

UNIONS

P x P

| DESCRIPTION | APOLLO POWERPRESS | VIEGA MEGAPRESSG |
|----------------------------------|-------------------|------------------|
| Union, Gas, HNBR, 4733G, PxP, ½ | PWR7482354 | 25701 |
| Union, Gas, HNBR, 4733G, PxP, ¾ | PWR7482365 | 25706 |
| Union, Gas, HNBR, 4733G, PxP, 1 | PWR7482376 | 25711 |
| Union, Gas, HNBR, 4733G, PxP, 1¼ | PWR7482387 | 25716 |
| Union, Gas, HNBR, 4733G, PxP, 1½ | PWR7482398 | 25721 |
| Union, Gas, HNBR, 4733G, PxP, 2 | PWR7482409 | 25726 |

P x FPT

| DESCRIPTION | APOLLO POWERPRESS | VIEGA MEGAPRESSG |
|---|-------------------|------------------|
| Female Union, Gas, HNBR, 4733G, PxFPT, ½ | PWR7483300 | 25651 |
| Female Union, Gas, HNBR, 4733G, PxFPT, ¾ | PWR7483311 | 25656 |
| Female Union, Gas, HNBR, 4733G, PxFPT, 1 | PWR7483322 | 25661 |
| Female Union, Gas, HNBR, 4733G, PxFPT, 1¼ | PWR7483333 | 25666 |
| Female Union, Gas, HNBR, 4733G, PxFPT, 1½ | PWR7483344 | 25671 |
| Female Union, Gas, HNBR, 4733G, PxFPT, 2 | PWR7483355 | 25676 |

CAPS

TUBE CAP

| DESCRIPTION | APOLLO POWERPRESS | VIEGA MEGAPRESSG |
|---------------------------------|-------------------|------------------|
| Cap, Gas, HNBR, 417G, PxCAP, ½ | PWR7482475 | 25731 |
| Cap, Gas, HNBR, 417G, PxCAP, ¾ | PWR7482486 | 25736 |
| Cap, Gas, HNBR, 417G, PxCAP, 1 | PWR7482497 | 25741 |
| Cap, Gas, HNBR, 417G, PxCAP, 1¼ | PWR7482508 | 25746 |
| Cap, Gas, HNBR, 417G, PxCAP, 1½ | PWR7482519 | 25751 |
| Cap, Gas, HNBR, 417G, PxCAP, 2 | PWR7482521 | 25756 |

SCOPE

Subject to the conditions and limitations in this Limited Warranty, Conbraco Industries, Inc. (herein "Conbraco") warrants to the owner of applicable real property in the United States (including its territories) and Canada that all Apollo® press fittings listed in the Apollo POWERPRESS® product range, when properly installed in the Approved Applications specifically mentioned below, under normal conditions of use, shall be free from failure caused by manufacturing defects for the applicable Warranty Period(s). This Limited Warranty applies strictly to products installed in the country in which they were purchased.

The terms of this Limited Warranty shall only apply when installation is performed in conformance with Apollo's written installation instructions. Additionally, all products must be installed in accordance with all then applicable codes, good plumbing practices, and in accordance with any local, state, provincial or federal requirements.

This Limited Warranty shall be applicable to Apollo POWERPRESS® products only during the following Warranty Period(s):

- The terms of this Limited Warranty shall apply to Apollo POWERPRESS® fittings for a period of 15 years from the date of delivery to the original purchaser.
- The terms of this Limited Warranty shall apply to Apollo POWERPRESS® valves for a period of 5 years from the date of delivery to the original purchaser.

APPROVED APPLICATIONS

The Apollo POWERPRESS® system can be used in the following applications:

- | | |
|-------------------------------------|--------------------------------|
| Apollo POWERPRESS® | Apollo POWERPRESS® Gas system: |
| • Closed loop heating installations | • Gas installations |
| • Closed loop cooling installations | |
| • Compressed air installations | |
| • Wet sprinkler installations | |

COMPATIBILITY

Conbraco guarantees the pressed connection of Apollo POWERPRESS® fittings when pressed under the following conditions:

1. The steel tubes (or those with epoxy coating, painting, or galvanized layer) comply to EN 10255, EN10220, ASTM A53, ASTM A106, ASTM A135, A795 (schedule 10 to 40).
2. The selected combination of tools, fittings and tube is permitted by the Apollo POWERPRESS® Catalog* valid at the time of installation.
3. All other terms of the Limited Warranty, as described in this document have been followed.

CONTENT OF THE LIMITED WARRANTY

Conbraco Industries, Inc. warrants, to the initial purchaser of the Apollo POWERPRESS® product range, that such products which are delivered to this initial purchaser will be of the kind described in the order or price list and will be free of defects in workmanship or material. For Apollo POWERPRESS® valve products, this warranty is for a period of FIVE years from the date of delivery to you, our initial purchaser. Should any failure to conform to these warranties appear within FIVE years after the date of the initial delivery to our initial purchaser, Conbraco will, upon written notification thereof and substantiation that the goods have been stored, installed, maintained and operated in accordance with Conbraco's written instructions and recommendations, as well as standard industry practice, correct such defects by suitable repair or replacement at Conbraco's own expense.

For Apollo POWERPRESS® Fittings, this warranty is for a period of FIFTEEN years from the date of delivery to you, our initial purchaser. Should any failure to conform to these warranties appear within FIFTEEN years after the date of the initial delivery to our initial purchaser, Conbraco will, upon written notification thereof and substantiation that the goods have been stored, installed, maintained and operated in accordance with Conbraco's written instructions and recommendations, as well as standard industry practice, correct such defects by suitable repair or replacement at Conbraco's own expense.

Any Apollo POWERPRESS® product which proves to be defective will be replaced or a credit issued, but no incidental labor charges, expenses or damages will be allowed.

THIS WARRANTY IS EXCLUSIVE AND IS IN LIEU OF ANY IMPLIED WARRANTY OF MERCHANTABILITY, FITNESS FOR A PARTICULAR PURPOSE OR OTHER WARRANTY OF QUALITY, WHETHER EXPRESSED OR IMPLIED, EXCEPT THE WARRANTY OF TITLE AND AGAINST PATENT INFRINGEMENT.

Correction of non-conformities, in the manner and for the period of time provided above, shall constitute fulfillment of all liabilities of Conbraco Industries, Inc. to our initial purchaser, with respect to the goods, whether based on contract, negligence, strict tort or otherwise. It is the intention of Conbraco Industries, Inc. that no warranty of any kind, whether expressed or implied shall pass through our initial purchaser to any other person or corporation.

LIMITATION OF LIABILITY: Conbraco Industries, Inc. SHALL NOT UNDER ANY CIRCUMSTANCES BE LIABLE FOR SPECIAL OR CONSEQUENTIAL DAMAGES SUCH AS, BUT NOT LIMITED TO, DAMAGES OR TO LOSS OF OTHER PROPERTY OR EQUIPMENT, LOSS OF PROFITS OR REVENUE, COST OF CAPITAL, COST OF PURCHASED OR REPLACEMENT GOODS, OR CLAIMS OF CUSTOMERS OF OUR INITIAL PURCHASER. THE REMEDIES OF OUR INITIAL PURCHASER, AND ALL OTHERS, SET FORTH HEREIN, ARE EXCLUSIVE, AND THE LIABILITY OF CONBRACO INDUSTRIES, INC. WITH RESPECT TO SAME SHALL NOT, EXCEPT AS EXPRESSLY PROVIDED HEREIN, EXCEED THE PRICE OF THE GOODS UPON WHICH SUCH LIABILITY IS BASED.

This Limited Warranty and any claims arising from breach of contract, breach of warranty, tort, or any other claim arising from sale or use of Apollo® POWERPRESS products shall be governed and construed under the laws of the State of North Carolina.

* It is the end user's responsibility to confirm that items intended for use satisfy local codes and standards.

REQUIREMENTS OF INSTALLER

The installer is required to:

1. Check if the application of the products is legal and in accordance with local regulations.
2. Comply with the valid and accepted rules and regulations of installation technique.
3. Take any and all measures necessary in order to mitigate any damage.
4. Immediately notify Conbraco in writing when the installer discovers or should have discovered any damage that has occurred, by giving a description of the event which contains the customer name, address, the time and a description of the damage.
5. Give Conbraco the opportunity to, after receiving the notification of damage, evaluate the damage itself or to have it appraised by an expert.
6. Send the parts that have caused the damage directly to Conbraco for further investigation by Conbraco.
7. If, without written permission by Conbraco, the installer, end user or any other third party removes, repairs or otherwise influences or modifies the products, the terms of this Limited Warranty shall not apply.

If any of the above mentioned requirements are not met, Conbraco is relieved from the terms of this Limited Warranty.

REQUIREMENTS OF CONBRACO

Conbraco is required to inform the installer about the results of the investigation by Conbraco or by a Conbraco hired expert. Conbraco is entitled to repair the damage itself or have it repaired by a third party.

REMAINING DEFINITIONS

LIMITATION OF LIABILITY: CONBRACO INDUSTRIES, INC. SHALL NOT UNDER ANY CIRCUMSTANCES BE LIABLE FOR SPECIAL OR CONSEQUENTIAL DAMAGES SUCH AS, BUT NOT LIMITED TO, DAMAGES OR TO LOSS OF OTHER PROPERTY OR EQUIPMENT, LOSS OF PROFITS OR REVENUE, COST OF CAPITAL, COST OF PURCHASED OR REPLACEMENT GOODS, OR CLAIMS OF CUSTOMERS OF OUR INITIAL PURCHASER. THE REMEDIES OF OUR INITIAL PURCHASER, AND ALL OTHERS, SET FORTH HEREIN, ARE EXCLUSIVE, AND THE LIABILITY OF CONBRACO WITH RESPECT TO SAME SHALL NOT, EXCEPT AS EXPRESSLY PROVIDED HEREIN, EXCEED THE PRICE OF THE GOODS UPON WHICH SUCH LIABILITY IS BASED.

This Limited Warranty and any claims arising from breach of contract, breach of warranty, tort, or any other claim arising from sale or use of Apollo** POWERPRESS products shall be governed and construed under the laws of the State of North Carolina.

TERMS & CONDITIONS OF SALE

- Payment net 30 days.
- All prices F.O.B. shipping point with freight allowed on shipments of at least 750 pounds of any combination of Apollo products and/or orders containing at least a \$2,500 net minimum of PowerPress products to all shipping points within the United States excluding Alaska and Hawaii. No freight allowed on Air Freight or Parcel Post shipments. Claims for shortages must be made within 10 days of receipt of material. Our responsibility ends when a delivery receipt is furnished us by the carrier.
- No invoice rendered For Less than \$50.00.
- No freight will be allowed on Air Freight, Air Express, Parcel Post or U.P.S. shipments.
- Phone order quoted prices are subject to correction. Prices and designs are subject to change without notice.
- Orders for material of special design or specification are made to customer's order and are not subject to cancellation or return.
- All goods returned to us will not be accepted unless a full explanation has been made and our written authorized permission obtained in advance. All goods returned - if accepted - will be credited at invoice price, less 30% for service and rehandling charges, plus shipping expenses.
- We reserve the right to adjust orders to box quantities.

[learn more](#)



www.apollovalves.com

Regional Management List:

www.apollovalv.es/rmlist

| | |
|------------------|-----------------|
| Corporate Office | Canadian Office |
| Matthews, NC | Concord, ON |
| 704.841.6000 | 1.800.443.1603 |



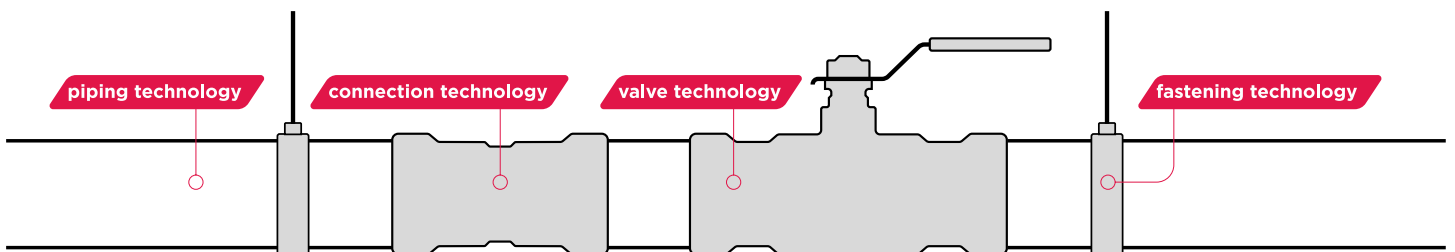
www.elkhartproducts.com

| | |
|--------------|------------------|
| Elkhart, IN | Fayetteville, AR |
| 574.264.3181 | 479.443.2360 |



www.shurjoint.com

Matthews, NC
704.841.6000



Aalberts Integrated Piping Systems

701 Matthews-Mint Hill Road
Matthews / NC / 28105 / United States
www.aalberts.com/ips

