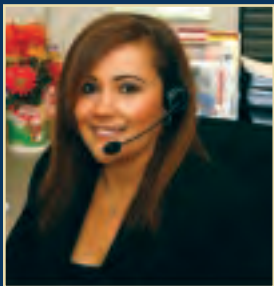


- Friendly, knowledgeable customer service
- Industry leading fill rates
- Large assortment, competitively priced
- Our goal is customer satisfaction
- Special order - No problem!
- Industry best tech support

Maintenance & Repair
Products



CONNECT WITH PRIME-LINE



Address | 26950 San Bernardino Ave., Redlands, CA 92374

Phone | (800) 899-7799 (7:30 A.M. to 5 P.M. PST weekdays)

Fax | (909) 473-1156

Web | primeline.net



Facebook | facebook.com/pages/Prime-Line-Products



Twitter | twitter.com/PrimeLineHowTo




Youtube | youtube.com/user/primelinehowto



Scan here to search online!! primeline.net

The Prime-Line Advantage:

- Prime-Line is a leading supplier of window and door replacement hardware for over 35 years
- Our breadth and depth of products and solutions includes over 18,000 items, covering:
 - » Core assortment
 - » Hard-to-find
 - » Replacement hardware
- We deliver 98% industry leading fill rates!
- Experienced, knowledgeable and bi-lingual customer service staff ready to serve you:
 - » Share their product knowledge and are happy to take special orders
 - » You can see technical support on-demand at our YouTube channel :
 - » youtube.com/user/primelinehowto
- We serve industry leaders in retail, MRO, OEM, and other distribution

WHO WE ARE...

Prime-Line Products has been supplying repair and replacement parts for windows and doors since 1978. Over 35 years of business acumen has led Prime-Line to the top of its trade. The worldwide need for residential maintenance has motivated our company to develop over 18,000 unique items for our customers. We service the professional trades with repair solutions throughout North America and abroad.

We also provide products to the Do-It-Yourself industry through home centers, hardware stores and lumber yards, with a wide variety of specialized repair parts that fit various individual and regional demands. We currently supply many manufacturers with OEM components that are in wide demand.



WHAT WE OFFER...

- » Automated parts counting
- » E-business capability
- » In-house creative services available
- » Shipping nationwide or international
- » In-house printing capability
- » Engineering capability with 3-D rendering
- » 3-D printer model making capability
- » QC department and cycle testing
- » PVC and aluminum extrusion capability
- » Multiple roll-forming capabilities
- » Metal fabrication shop
- » Custom steel door and aluminum door fabrication
- » Product packaging capabilities

HOW WE CAN HELP...

- » Order fulfillment services include pick, pack and ship
- » Order assembly and palletization
- » EDI, ASN generation
- » Prepacking & promotional packing
- » Product storage & warehousing
- » Inventory and labeling
- » Cross-dock capabilities



Prime-Line is ready to fulfill any large capacity order, we can take your order from inception to completion in stride.

With customer service available from 7:30 A.M. to 5 P.M. PST every weekday, you'll get the answers you want, when you want them.

For further information,
please contact us directly:

26950 San Bernardino Ave.,
Redlands, CA 92374

800.899.7799
primeline.net

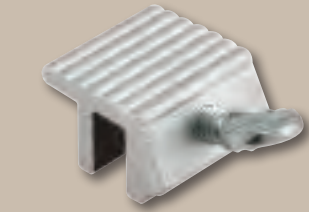
OUR VALUE PROPOSITION...

- » Extensive product assortment
- » Competitive wholesale pricing
- » Largest selection of current and hard-to-find hardware
- » In stock, ready to ship inventory
- » Nationwide coverage
- » Outstanding customer service
- » Personalized account management
- » State of the art ordering systems



- » Is there anything else you need? Prime-Line offers THOUSANDS of unique replacement parts online...

Scan here to search online!! primeline.net



6 Security



28 Patio



33 Screen Door



38 Closet



Page

6 | SECURITY

15 | WINDOW

24 | SCREENING

28 | PATIO DOOR

Page

33 | SCREEN DOOR

36 | STORM DOOR

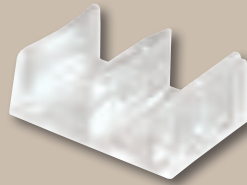
38 | CLOSET DOOR

49 | CABINET



49 Cabinet

52 Bath & Shower



54 Builder's



CONTENTS

Page

52 | TUB & SHOWER

54 | BUILDER'S

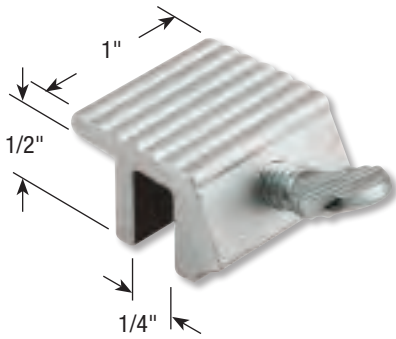
65 | GARAGE DOOR

66 | SUNDRY

Page

67 | PLUMBING

73 | INDEX



Thumbscrew Lock

- Extruded aluminum housing with single thumb screw
- Easy to install

MP4000 (U 9800)
Inner pack: 4 Master pack: 10

Economy Lock

- Extruded aluminum housing with steel screw
- Easy to install

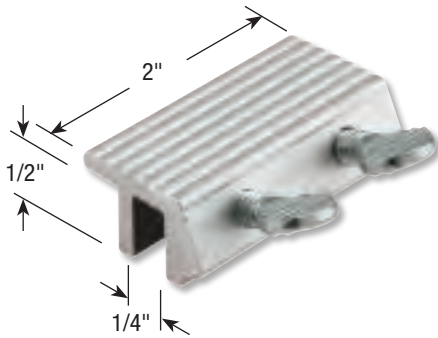
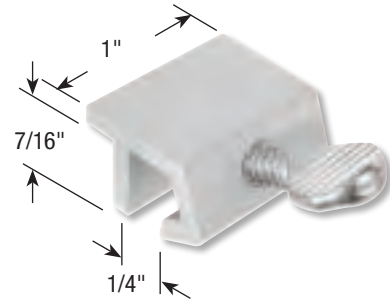
MP4036-4 (U 9980 aluminum finish)
Inner pack: 4 Master pack: 10

MP4036-10 (U 9980 aluminum finish)
Inner pack: 10 Master pack: 10

MP4036 (U 9980 aluminum finish)
Inner pack: 50 Master pack: 10

MP4036-100 (U 9980 aluminum finish)
Inner pack: 100 Master pack: 4

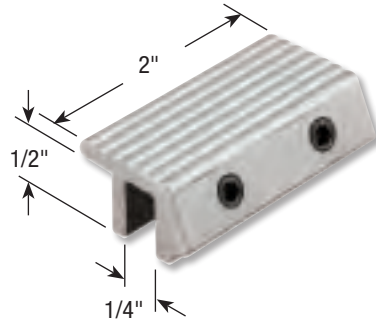
MP4076 (U 9981 black finish)
Inner pack: 100 Master pack: 1



Economy Lock

- Extruded aluminum housing with steel screws
- Easy to install

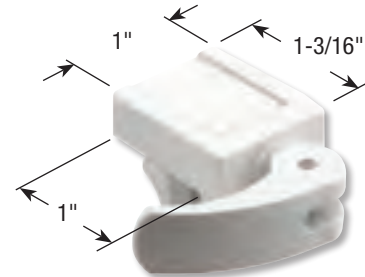
MP4030 (U 9805)
Inner pack: 2 Master pack: 10



Tamper-resistant Lock

- Heavy-duty extruded zinc housing
- Tamper-resistant double hex security screw
- Easy to install

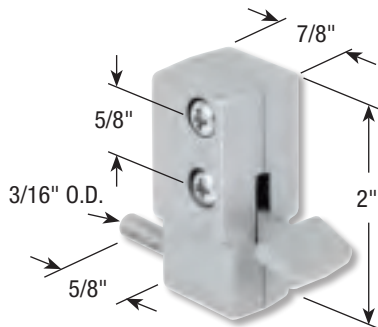
MP4034 (U 9815 aluminum finish)
Inner pack: 2 Master pack: 10



Vinyl Window Lock

- Fits 1/16" to 1/2" frame rails
- White finish
- Ergonomic locking handle
- Locks in 3 positions
- "Vise like" grip holds securely

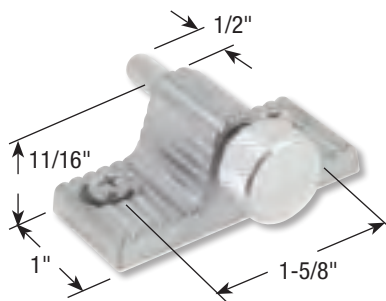
MP4574 (U 9809 white finish)
Inner pack: 2 Master pack: 10



Step-on Lock

- Gray painted diecast housing with hardened steel bolt
- Convenient foot operation
- Easy to install

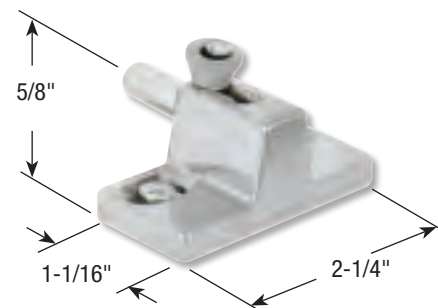
MP4325 (U 9877)
Inner pack: 1 Master pack: 10



Twist-in Lock

- Zinc plated Zamac cast housing
- Prevents sliding and lifting of door

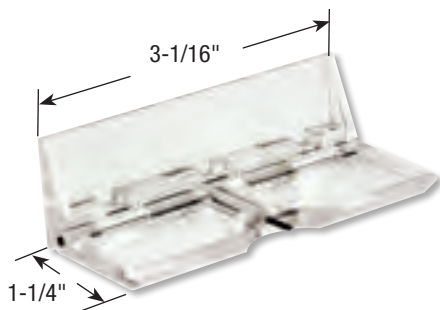
MP4002 (U 9848)
Inner pack: 1 Master pack: 10



Slide Bolt Lock

- Diecast painted housing with steel bolt
- Prevents sliding and lifting of door

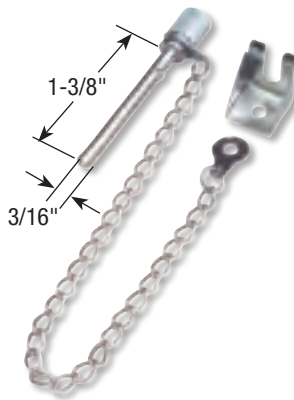
MP4006 (U 9866)
Inner pack: 1 Master pack: 10



Glass Surface Lock

- Clear lucite
- Two-piece hinged assembly with spring loaded plunger lock
- Clear adhesive backing
- No tools needed to install

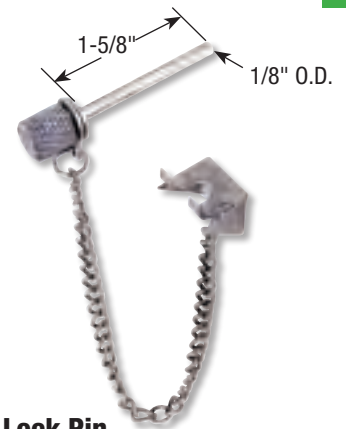
MP4124 (U 9842)
 Inner pack: 1 Master pack: 10



Window Lock Pin

- Case hardened steel pin
- Installs thru moving panel and fixed rail
- Helps prevent prying or lifting of window

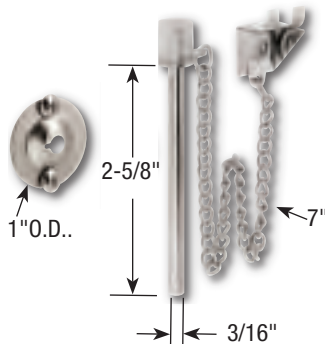
MP4065 (S 4065)
 Inner pack: 2 Master pack: 10



Window Lock Pin

- Plated steel pin
- Installs thru moving panel and fixed rail
- Helps prevent prying or lifting of window

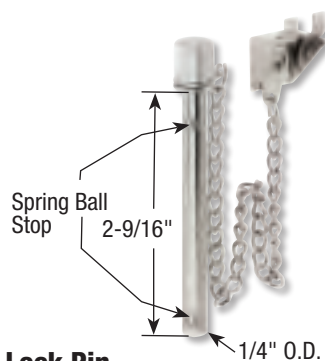
MP4071 (U 9857)
 Inner pack: 5 Master pack: 10



Door Lock Pin

- Plated steel pin locks in retaining ring when engaged, stores in holder when unlocked
- Installs thru moving panel and fixed rail
- Helps prevent prying or lifting of window

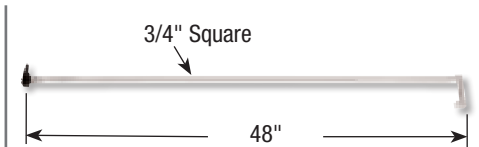
MP4011-5 (U 9858)
 Inner pack: 5 Master pack: 10



Door Lock Pin

- Plated steel pin stores in holder when unlocked
- Installs thru moving panel and fixed rail
- Helps prevent prying or lifting of window
- Spring loaded steel balls prevents pin from being jarred loose from the door

MP4066 (U 11070)
 Inner pack: 2 Master pack: 10



Security Bar Lock (48")

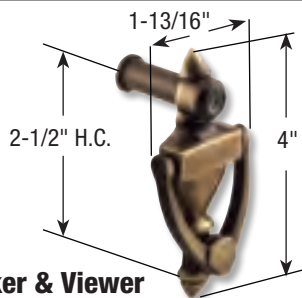
- Clear anodized and painted extruded aluminum bar with stamped steel hinged retainer for open position
- Plastic retainer with key for locked position.

MP4013-1 (S 4013 aluminum finish)
 Inner pack: 1 Master pack: 10

MP4154-1 (S 4154 bronze finish)
 Inner pack: 1 Master pack: 10

MP4220-1 (S 4220 white finish)
 Inner pack: 1 Master pack: 10

MP4013-HP (S 4013*3 hardware kit)
 Inner pack: 2 Master pack: 10



Door Knocker & Viewer

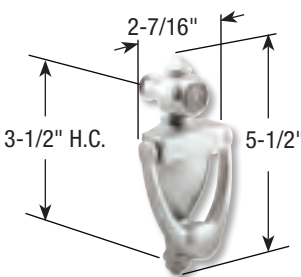
- Diecast knocker and 160° viewer
- Fits doors 1-3/8" to 1-3/4" thick

MP4090 (S 4090 brass finish)
 Inner pack: 1 Master pack: 10

MP4228 (S 4228 antique brass finish)
 Inner pack: 1 Master pack: 10

MP4517 (S 4517 chrome finish)
 Inner pack: 1 Master pack: 10

MP4605 (S 4605 satin nickel finish)
 Inner pack: 1 Master pack: 10



Deluxe Door Knocker & Viewer

- Diecast knocker and 160° viewer
- Fits doors 1-3/8" to 1-3/4" thick

MP4234 (S 4234 brass finish)
 Inner pack: 1 Master pack: 10

MP4235 (S 4235 antique brass finish)
 Inner pack: 1 Master pack: 10

MP4578 (S 4578 satin chrome finish)
 Inner pack: 1 Master pack: 10



Door Viewer (160°)

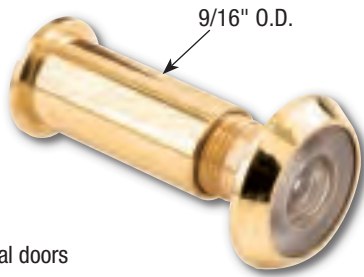
- Solid brass housing
- Glass and plastic lenses
- Fits 1-3/8" to 2" thick wood or metal doors
- Glass lens viewers are U.L. Listed

MP4178 (U 9983 brass; U.L. Listed)
 Inner pack: 1 Master pack: 10

MP4019-5 (U 9895 brass)
 Inner pack: 5 Master pack: 10

MP4365 (U 9880 satin chrome finish; U.L. Listed)
 Inner pack: 1 Master pack: 10

MP4516 (S 4516 satin chrome finish)
 Inner pack: 5 Master pack: 10



Door Viewer

- Solid brass housing
- Glass and plastic lenses
- Fits 1-3/8" to 2-1/8" thick wood or metal doors
- Glass lens viewers are U.L. Listed

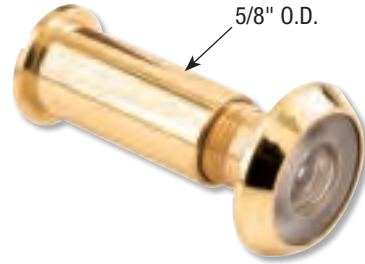
MP4020-5 (U 9893 brass; 180°)
Inner pack: 5 Master pack: 10

MP4179 (U 9891 brass; 200° U.L. Listed)
Inner pack: 1 Master pack: 10

MP4366 (U 9881 satin chrome finish; 200°; U.L. Listed)
Inner pack: 1 Master pack: 10

MP10312-2 (U 10312 satin nickel finish; 180°)
Inner pack: 2 Master pack: 10

New Item



Door Viewer

- Solid brass housing
- Plastic lenses
- Fits 1-3/8" to 2-3/8" thick wood or metal doors

MP5046 (S 5046 brass; 200°)
Inner pack: 5 Master pack: 10

New Item

Door Viewer Inside Cover

- Prevents reversed visibility through door viewers from the exterior of the home.
- Increases security
- Solid brass construction

S 4788 (polished brass finish; 5/8" O.D., 1/2" I.D.)
Inner pack: 1 Master pack: 6

S 4789 (polished brass finish; 11/16" O.D., 9/16" I.D.)
Inner pack: 1 Master pack: 6

S 4790 (brite nickel finish; 5/8" O.D., 1/2" I.D.)
Inner pack: 1 Master pack: 6

S 4791 (brite nickel finish; 11/16" O.D., 9/16" I.D.)
Inner pack: 1 Master pack: 6

S 4792 (satin nickel finish; 5/8" O.D., 1/2" I.D.)
Inner pack: 1 Master pack: 6

S 4793 (satin nickel finish; 11/16" O.D., 9/16" I.D.)
Inner pack: 1 Master pack: 6

S 4788PB (polished brass finish; 5/8" O.D., 1/2" I.D.)
Inner pack: 100 Master pack: 1

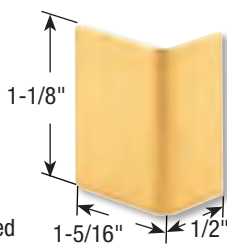
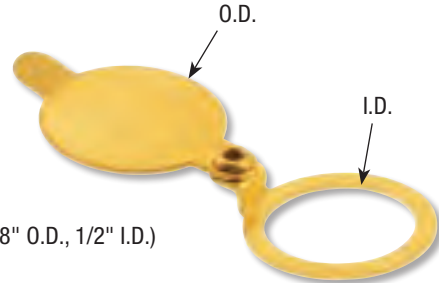
S 4789PB (polished brass finish; 11/16" O.D., 9/16" I.D.)
Inner pack: 100 Master pack: 1

S 4790PB (brite nickel finish; 5/8" O.D., 1/2" I.D.)
Inner pack: 100 Master pack: 1

S 4791PB (brite nickel finish; 11/16" O.D., 9/16" I.D.)
Inner pack: 100 Master pack: 1

S 4792PB (satin nickel finish; 5/8" O.D., 1/2" I.D.)
Inner pack: 100 Master pack: 1

S 4793PB (satin nickel finish; 11/16" O.D., 9/16" I.D.)
Inner pack: 100 Master pack: 1



Door Edge Guard

- Edge guard is adhesive backed for self-sticking application
- Eliminates marring of wood when lock is swung back and forth

MP4213 (S 4213 polished brass finish)
Inner pack: 5 Master pack: 10

MP4214 (S 4214 antique brass finish)
Inner pack: 5 Master pack: 10

MP4616 (S 4216 satin nickel finish)
Inner pack: 5 Master pack: 10

MP4215 (S 4215 satin chrome finish)
Inner pack: 5 Master pack: 10

Swing Bar Lock

- Plated or painted heavy metal casting
- Secures door while allowing 2" of viewing or ventilation
- Easy to install

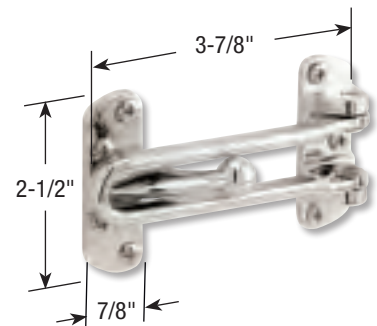
MP4059-1 (U 9897 brass plated)
Inner pack: 1 Master pack: 10

MP4120-1 (U 9899 antique brass plated)
Inner pack: 1 Master pack: 10

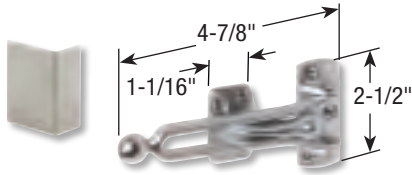
MP4122 (U 9901 satin chrome plated)
Inner pack: 1 Master pack: 10

MP4121-1 (U 9900 chrome plated)
Inner pack: 1 Master pack: 10

MP10308 (U 10308 satin nickel plated)
Inner pack: 1 Master pack: 10



New Item



Swing Bar Lock with Edge Guard

- Cast brass bar lock and swing loop keeper
- Secures door while allowing 2" of viewing or ventilation
- Edge guard aids in reducing marring of door and frame

MP4353 (S 4353 satin chrome finish)
Inner pack: 1 Master pack: 10

MP10361 (U 10361 satin nickel finish)
Inner pack: 1 Master pack: 10

High Security Door Guard

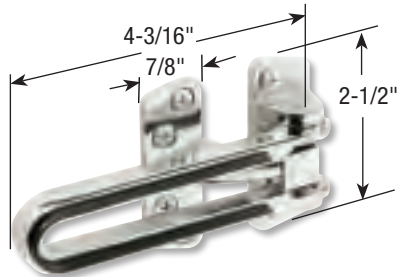
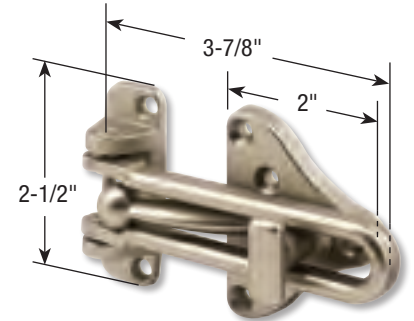
- Cast high pressure zamac bar lock and swing loop keeper
- Defeats lock picking tool by not allowing door to be opened when thumbturn lock is engaged
- In an emergency situation, thumbturn will blow off at 110 lbs. of force
- Ball on bar lock interlocks to keeper which allows door to be opened slightly for viewing

U 11315 (brass finish)
Inner pack: 1 Master pack: 6

U 11316 (satin nickel finish)
Inner pack: 1 Master pack: 6

U 11317 (classic bronze finish)
Inner pack: 1 Master pack: 6

U 11318 (chrome finish)
Inner pack: 1 Master pack: 6



Swing Bar Lock with Rubber Bumper

- Plated heavy metal casting
- Secures door while allowing 2" of viewing or ventilation
- Includes rubber bumper door guard that prevents damage to door

MP4742 (S 4742 brass plated finish)
Inner pack: 1 Master pack: 10

MP4743 (S 4743 chrome plated finish)
Inner pack: 1 Master pack: 10

New Item

High Security Door Lock

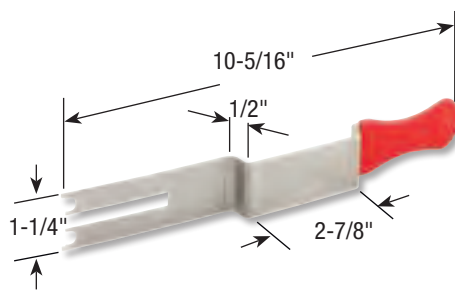
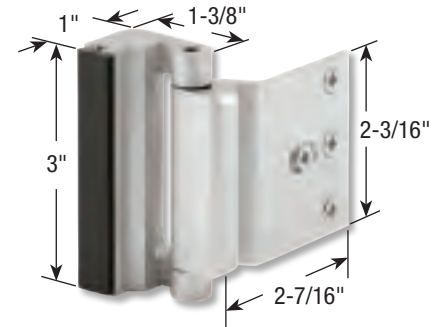
- In the locked position, the lock is designed to resist up to 800 lbs. of force
- Protects against unauthorized entry
- Prevents lock bumping or lock picking
- Cannot be opened from the outside
- Fits any door

U 10826 (gold anodized finish)
Inner pack: 1 Master pack: 10

U 10827 (satin nickel finish)
Inner pack: 1 Master pack: 10

U 11126 (classic bronze finish)
Inner pack: 1 Master pack: 10

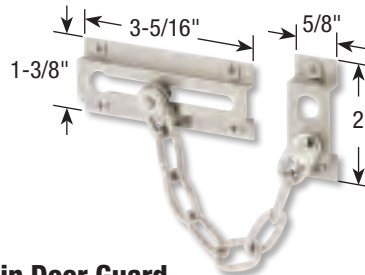
U 11325 (brushed chrome finish)
Inner pack: 1 Master pack: 10



Emergency Access Tool

- Gain emergency entry to most "swing bar" security door locks
- Flexible steel forks spring out bar to release lockout
- Works with door cracked open only
- Stainless steel

MP4395 (S 4395)
Inner pack: 1 Master pack: 5



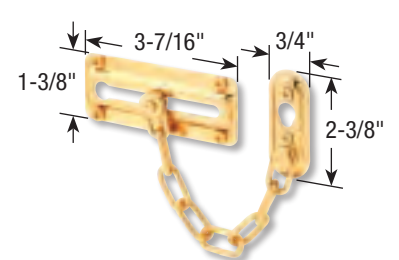
Chain Door Guard

- Solid brass keepers with steel chain
- Secures door while allowing 2" of viewing or ventilation
- Easy to install

MP4042 (U 9907 solid brass)
Inner pack: 1 Master pack: 10

MP4298 (S 4298 chrome plated finish)
Inner pack: 1 Master pack: 10

MP10304 (U 10304 satin nickel finish)
Inner pack: 1 Master pack: 10



Chain Door Guard

- Plated steel keeper and steel chain
- Secures door while allowing 2" of viewing or ventilation
- Easy to install

MP4016-2 (U 9905 brass plated finish)
Inner pack: 2 Master pack: 10

MP4152 (U 9908 chrome plated finish)
Inner pack: 2 Master pack: 10

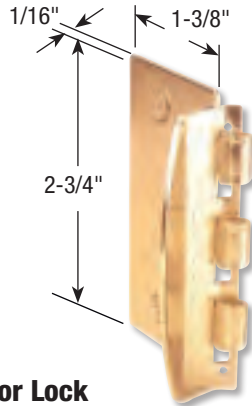
MP10386 (U 10386 satin nickel finish)
Inner pack: 2 Master pack: 10



Loop Lock

- Hardened steel locking rod with diecast bracket and keeper
- Secures door to jamb
- Two sizes allow flexibility of installation

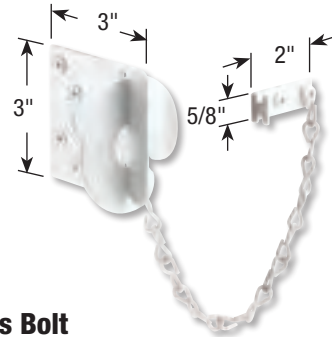
MP4377 (U 9846 chrome plated)
 Inner pack: 1 Master pack: 10



Flip Door Lock

- Brass plated steel privacy lock
- Flip action to lock or unlock
- No mortising required
- Easy to install

MP4015 (U 9887)
 Inner pack: 2 Master pack: 10

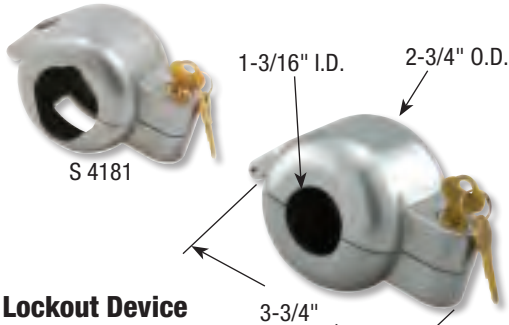


Texas Bolt

- Maximum security locking device for inswing doors
- 11 gauge powder coated steel
- Meets Texas building code requirements

MP9493 (U 9493 white)
 Inner pack: 1 Master pack: 10

MP9494 (U 9494 gold)
 Inner pack: 1 Master pack: 10

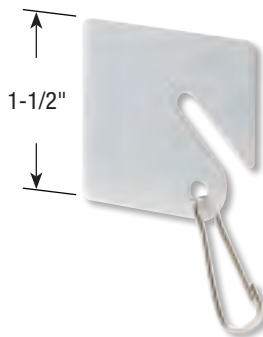


Lockout Device

- Diecast, gray painted lock
- Prevents door knob from being turned
- Deters tampering
- Key locked for maximum security

MP4180 (S 4180 for door knobs)
 Inner pack: 1 Master pack: 10

S 4181 (for lever type handles)
 Inner pack: 1 Master pack: 6



Key Tag

- White plastic key tag
- Used to identify specific corresponding locations

MP4269 (S 4269)
 Inner pack: 100 Master pack: 10



Key Tag

- Paper key tag
- Used to identify specific corresponding locations

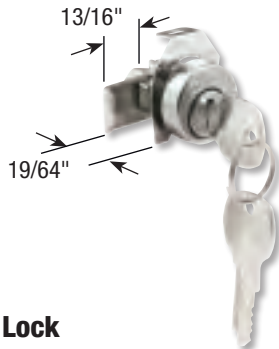
MP4431 (S 4431)
 Inner pack: 20 Master pack: 10



Mailbox Lock

- Diecast cylinder with plated face
- Nickel finish
- Replacement for Bommer
- 5-pin tumbler
- National, ILCO 51064A (NA14) keyway
- 90° CCW rotation

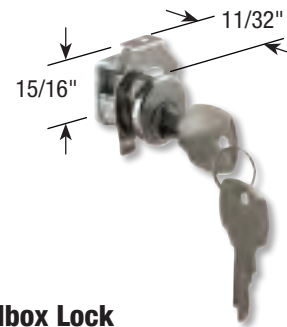
MP4322 (S 4322)
 Inner pack: 1 Master pack: 10



Mailbox Lock

- Diecast cylinder with plated face
- Nickel finish
- Replacement for
- 5-pin tumbler
- National, ILCO 51064A (NA14) keyway
- 90° CCW rotation

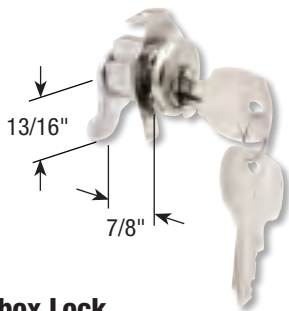
MP4321 (S 4321)
 Inner pack: 1 Master pack: 10



Mailbox Lock

- Diecast cylinder with plated face
- Nickel finish
- Replacement for Florence
- 5-pin tumbler
- National, ILCO 51064A (NA14) keyway
- 90° CW rotation

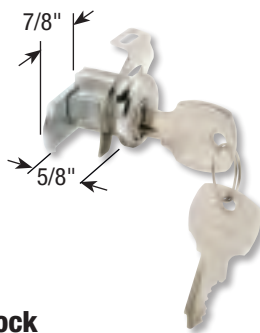
MP4315 (S 4315)
 Inner pack: 1 Master pack: 10



Mailbox Lock

- Diecast cylinder with plated face
- Nickel finish
- Replacement for Bommer
- 5-pin tumbler
- National, ILCO 51064A (NA14) keyway
- 90° CCW rotation

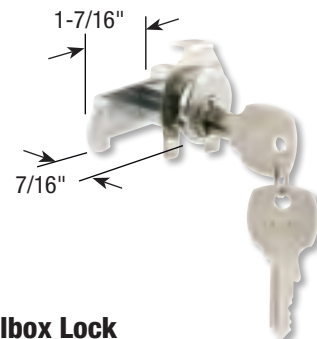
MP4312 (S 4312)
 Inner pack: 1 Master pack: 10



Mailbox Lock

- Diecast cylinder with plated face
- Nickel finish
- Replacement for Cutler
- 5-pin tumbler
- National, ILCO 51064A (NA14) keyway
- 90° CCW rotation

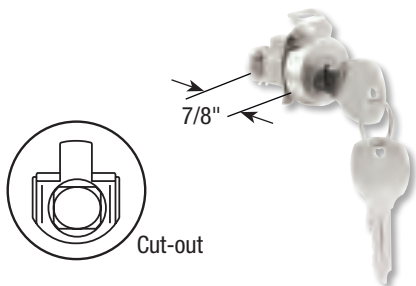
MP4318 (S 4318)
 Inner pack: 1 Master pack: 10



Mailbox Lock

- Diecast cylinder with plated face
- Nickel finish
- Replacement for American Device
- 5-pin tumbler
- National, ILCO 51064A (NA14) keyway
- 90° CCW rotation

MP4571 (S 4571)
 Inner pack: 1 Master pack: 10

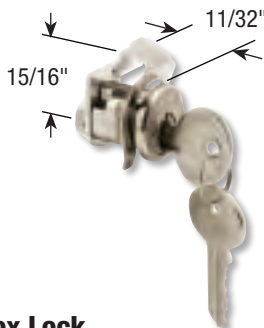


Mailbox Lock (Cylinder only)

- Diecast cylinder with plated face
- Nickel finish
- Replacement for Auth-Florence
- 5-pin tumbler

MP4710 (S 4710 90° CW rotation)
 Inner pack: 1 Master pack: 10

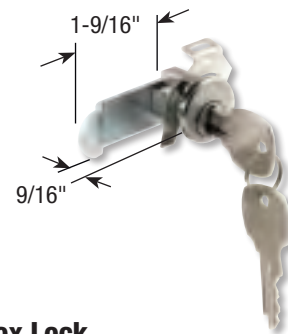
MP4711 (S 4711 90° CCW rotation)
 Inner pack: 1 Master pack: 10



Mailbox Lock

- Diecast cylinder with plated face
- Nickel finish
- Replacement for Florence
- 5-pin tumbler
- Hudson keyway, ILCO 1003M
- 90° CW rotation

MP4130 (S 4130)
 Inner pack: 1 Master pack: 25



Mailbox Lock

- Diecast cylinder with plated face
- Nickel finish
- Replacement for Cutler Federal
- 5-pin tumbler
- National, ILCO 51064A (NA14) keyway
- 90° CCW rotation

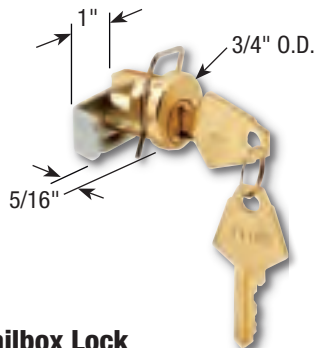
MP4640S (S 4640)
 Inner pack: 1 Master pack: 10



Mailbox Lock

- Diecast cylinder with plated face
- Nickel finish
- Replacement for Dura-Steel
- 5-pin tumbler
- XL keyway
- 90° CW rotation

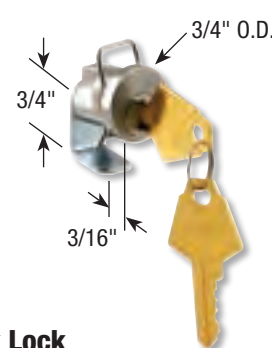
MP4053 (S 4053 "B")
 Inner pack: 1 Master pack: 25



Mailbox Lock

- Diecast cylinder with plated face
- Brass finish
- Replacement for Permabilt
- 5-pin tumbler
- XL keyway
- 90° CCW rotation

MP4055 (S 4055 "A")
 Inner pack: 1 Master pack: 25



Mailbox Lock

- Diecast cylinder with plated face
- Zinc finish
- Replacement for Dura-Steel
- 5-pin tumbler
- XL keyway
- 90° CW rotation

MP4051 (S 4051 "C")
 Inner pack: 1 Master pack: 25

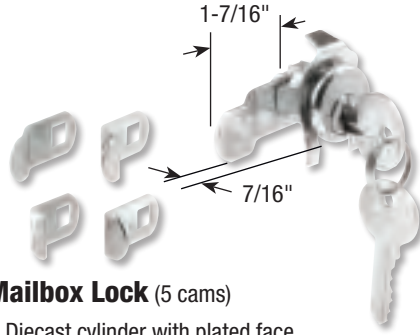


Mailbox Lock

- Diecast cylinder with plated face
- Brass finish
- Replacement for Jenson General
- 5-pin tumbler
- XL keyway
- 90° CCW rotation

MP4054 (S 4054 "D")

Inner pack: 1 Master pack: 25

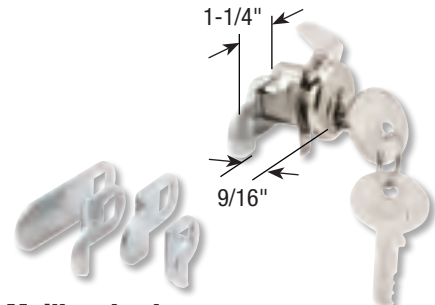


Mailbox Lock (5 cams)

- Diecast cylinder with plated face
- Nickel finish
- Replacement for American Device, Florence, Miami-Carey, Bommer & Auty
- 5-pin tumbler
- Hudson keyway, ILCO 1003M
- 90° CCW rotation

MP4140 (S 4140)

Inner pack: 1 Master pack: 25

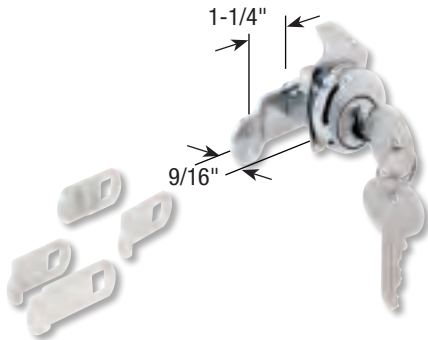


Mailbox Lock (5 cams)

- Diecast cylinder with plated face
- Nickel finish
- 5-pin tumbler
- National, ILCO 51064A (NA14) keyway
- 90° CCW rotation

MP4946 (S 4946)

Inner pack: 1 Master pack: 10

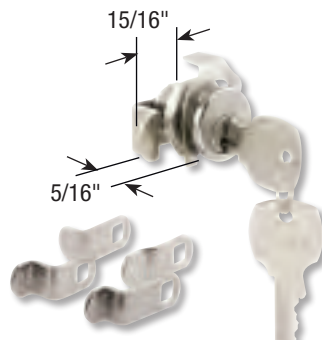


Mailbox Lock (5 cams)

- Diecast cylinder with plated face & dust cover
- Nickel finish
- 5-pin tumbler
- Hudson keyway, ILCO 1003M
- 90° CCW rotation

MP4533S (S 4533)

Inner pack: 1 Master pack: 10

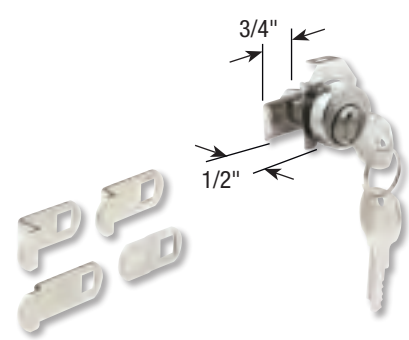


Mailbox Lock (5 cams)

- Diecast cylinder with plated face
- Nickel finish
- 5-pin tumbler
- National, ILCO 51064A (NA14) keyway
- 90° CCW rotation

MP4573 (S 4573)

Inner pack: 1 Master pack: 10

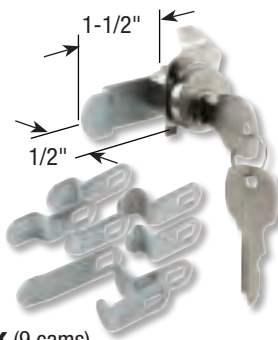


Mailbox Lock (5 cams)

- Diecast cylinder with plated face & dust cover
- Nickel finish
- 5-pin tumbler
- National, ILCO 51064A (NA14) keyway
- 90° CW rotation

MP4526 (S 4526)

Inner pack: 1 Master pack: 10



Mailbox Lock (9 cams)

- Diecast cylinder with plated face
- Nickel finish
- 5-pin tumbler
- 90° CCW rotation

MP4531 (S 4531 National keyway)

Inner pack: 1 Master pack: 25

MP4530 (S 4530 XL keyway)

Inner pack: 1 Master pack: 25



Mailbox Lock (9 cams)

- Diecast cylinder with plated face
- Chrome plated finish
- 5-pin tumbler
- Hudson keyway, ILCO 1003M
- 90° CCW rotation

MP4532 (S 4532)

Inner pack: 1 Master pack: 10

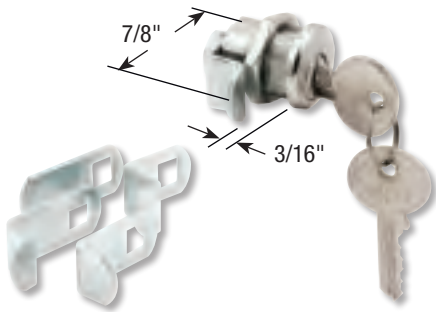


Mailbox Lock (5 cams)

- Diecast cylinder with plated face
- Nickel finish
- 5-pin tumbler
- Hudson keyway, ILCO 1003M
- 90° CCW rotation

MP4944 (S 4944)

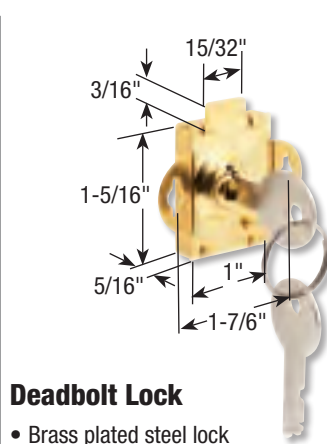
Inner pack: 1 Master pack: 10



Mailbox Lock (5 cams)

- Diecast cylinder with plated face
- Nickel finish
- 5-pin tumbler
- Hudson keyway, ILCO 1003M
- 90° CCW rotation

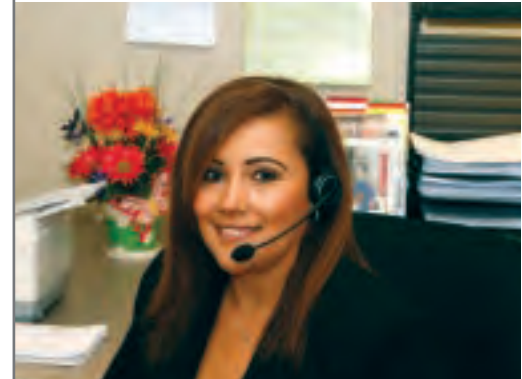
MP4945 (S 4945)
 Inner pack: 1 Master pack: 10



Deadbolt Lock

- Brass plated steel lock
- 1/4" bolt
- Key cylinder is offset from center
- Standard deadbolt application

MP4048 (S 4048)
 Inner pack: 1 Master pack: 25



SPECIAL ORDER

» If you don't see your part here, call...

1.800.899.7799

Safety Hasp

- Zinc plated steel safety hasp
- Screws are concealed when hasp is in the locked position

MP4208 (S 4208 - 3-1/2")
 Inner pack: 1 Master pack: 10

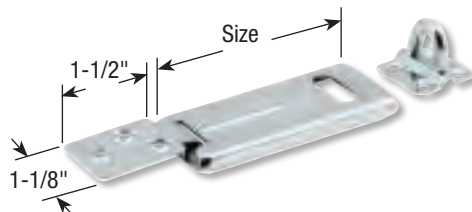
MP5056 (S 5056 - 2-1/2" fixed stapled)
 Inner pack: 1 Master pack: 10

MP5057 (S 5057 - 3-1/2" fixed stapled)
 Inner pack: 1 Master pack: 10

MP5058 (S 5058 - 4-1/2" fixed stapled)
 Inner pack: 1 Master pack: 10

MP5059 (S 5059 - 6" fixed stapled)
 Inner pack: 1 Master pack: 10

MP5054 (S 5054 - 4-1/2" heavy duty)
 Inner pack: 1 Master pack: 10



House Letters

- Brass finish
- 4"

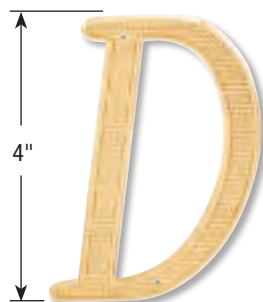
MP4292 (S 4292 letter A)
 Inner pack: 2 Master pack: 10

MP4293 (S 4293 letter B)
 Inner pack: 2 Master pack: 10

MP4294 (S 4294 letter C)
 Inner pack: 2 Master pack: 10

MP4295 (S 4295 letter D)
 Inner pack: 2 Master pack: 10

MP4296 (S 4296 letter E)
 Inner pack: 2 Master pack: 10



House Letters

- Black finish
- 4"

MP4106 (S 4106 letter A)
 Inner pack: 2 Master pack: 10

MP4107 (S 4107 letter B)
 Inner pack: 2 Master pack: 10

MP4108 (S 4108 letter C)
 Inner pack: 2 Master pack: 10

MP4109 (S 4109 letter D)
 Inner pack: 2 Master pack: 10

MP4291 (S 4291 letter E)
 Inner pack: 2 Master pack: 10

MP4248 (S 4248 letter F)
 Inner pack: 2 Master pack: 10



House Numbers

- Brass finish
- 4"

MP4281-5 (S 4281 number 1)

Inner pack: 5 Master pack: 10

MP4282-5 (S 4282 number 2)

Inner pack: 5 Master pack: 10

MP4283-5 (S 4283 number 3)

Inner pack: 5 Master pack: 10

MP4284-5 (S 4284 number 4)

Inner pack: 5 Master pack: 10

MP4285-5 (S 4285 number 5)

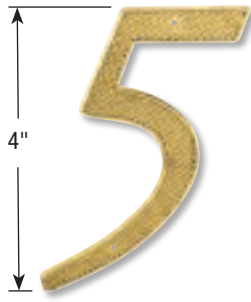
Inner pack: 5 Master pack: 10

MP4286-5 (S 4286 number 6/9)

Inner pack: 5 Master pack: 10

MP4287-5 (S 4287 number 7)

Inner pack: 5 Master pack: 10



MP4288-5 (S 4288 number 8)

Inner pack: 5 Master pack: 10

MP4280-5 (S 4280 number 0)

Inner pack: 5 Master pack: 10

House Numbers

- Black finish
- 4"

MP4111-5 (S 4111 number 1)

Inner pack: 5 Master pack: 10

MP4112-5 (S 4112 number 2)

Inner pack: 5 Master pack: 10

MP4113-5 (S 4113 number 3)

Inner pack: 5 Master pack: 10

MP4114-5 (S 4114 number 4)

Inner pack: 5 Master pack: 10

MP4115-5 (S 4115 number 5)

Inner pack: 5 Master pack: 10

MP4116-5 (S 4116 number 6/9)

Inner pack: 5 Master pack: 10

MP4117-5 (S 4117 number 7)

Inner pack: 5 Master pack: 10



MP4118-5 (S 4118 number 8)

Inner pack: 5 Master pack: 10

MP4110-5 (S 4110 number 0)

Inner pack: 5 Master pack: 10

New Item

House Numbers

- Black plastic
- 3"

MP5031 (S 5031 number 0)

Inner pack: 2 Master pack: 10

MP5032 (S 5032 number 1)

Inner pack: 2 Master pack: 10

MP5033 (S 5033 number 2)

Inner pack: 2 Master pack: 10

MP5034 (S 5034 number 3)

Inner pack: 2 Master pack: 10

MP5035 (S 5035 number 4)

Inner pack: 2 Master pack: 10

MP5036 (S 5036 number 5)

Inner pack: 2 Master pack: 10

MP5037 (S 5037 number 6/9)

Inner pack: 2 Master pack: 10



MP5038 (S 5038 number 7)

Inner pack: 2 Master pack: 10

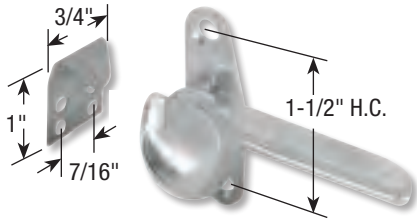
MP5039 (S 5039 number 8)

Inner pack: 2 Master pack: 10



REINFORCERS (See page 57)

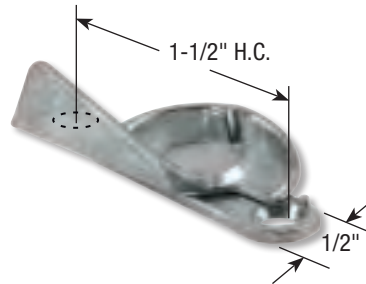
Over half of all burglaries are initiated by forced entry. A majority of these are accomplished by kicking in a door. Lock & door reinforcers help prevent door kick in attacks. Lock & door reinforcers are available to fit most door thickness and backset configurations. There are also several designs and finishes available to complement your existing door hardware.



Sash Lock

- Diecast sash lock with stamped steel keeper
- Brite zinc finish
- Fits Daryl® windows

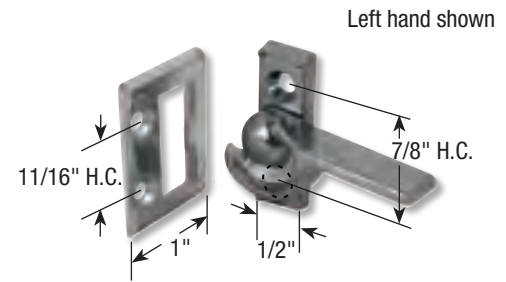
MP2509 (F 2509)
 Inner pack: 2 Master pack: 10



Sash Lock

- Diecast sash lock
- Brite zinc finish
- Fits on single hung windows by Keller®

MP2644 (F 2644)
 Inner pack: 2 Master pack: 10



Sash Lock

- Diecast sash lock and keeper
- Brite zinc finish
- Used on both residential and RV sliding windows

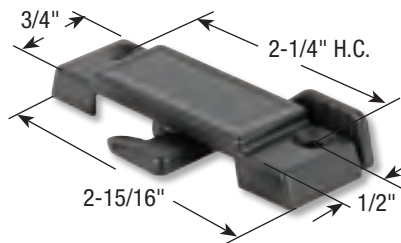
MP2510 (F 2510 left hand)
 Inner pack: 2 Master pack: 10
MP2511 (F 2511 right hand)
 Inner pack: 2 Master pack: 10



Sash Lock

- Chrome sash lock
- Used on both horizontal and vertical sliding windows for camper shell and RV type windows

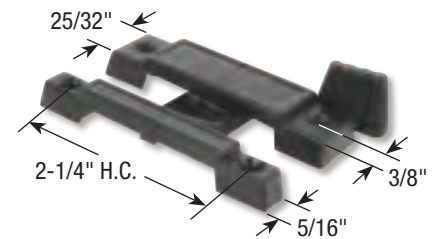
MP2570 (F 2570 left hand)
 Inner pack: 5 Master pack: 10
MP2571 (F 2571 right hand)
 Inner pack: 5 Master pack: 10



Sash Lock

- Diecast sash lock;
- Latch tongue engages fixed rail of opposing sash
- Includes channel locking bar
- Fits Guaranteed Products® windows

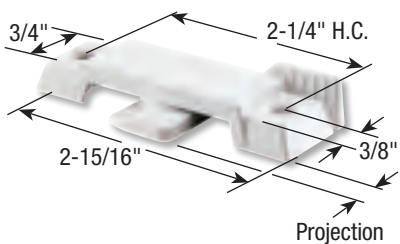
MP2512 (F 2512)
 Inner pack: 2 Master pack: 10



Sash Lock

- Diecast sash lock and keeper
- Cam action latch draws sashes tight for a good seal when locked

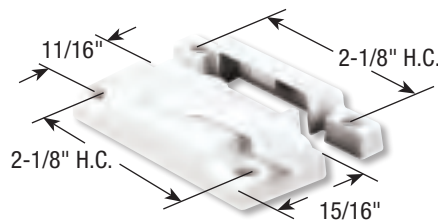
MP2532-2 (F 2532 black)
 Inner pack: 2 Master pack: 10
MP2533 (F 2533 white)
 Inner pack: 2 Master pack: 10



Sash Lock

- Diecast sash lock
- Latch tongue engages fixed rail of opposing sash

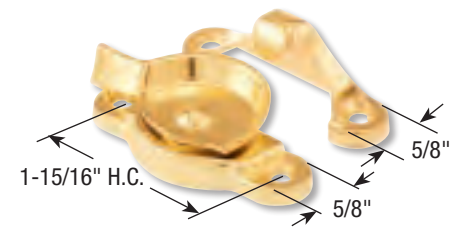
MP2589 (F 2589 black - 3/8" projection)
 Inner pack: 2 Master pack: 10
MP2590 (F 2590 white - 3/8" projection)
 Inner pack: 2 Master pack: 10



Sash Lock

- White diecast sash lock and keeper
- Cam action latch draws the sashes tight for a good seal when locked
- Latch body has alignment lugs

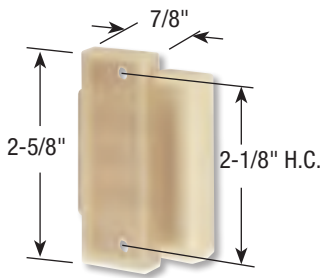
MP2554 (F 2554)
 Inner pack: 1 Master pack: 10



Sash Lock

- Brass plated diecast sash lock and keeper
- Used on single and double hung wood windows

MP2574 (F 2574)
 Inner pack: 1 Master pack: 10

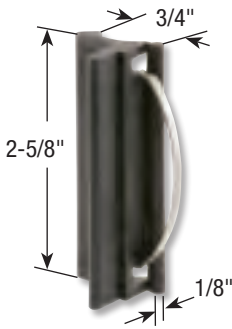


Latch & Pull

- White plastic sash lock
- Spring loaded
- Latches into fixed rail of opposing sash

MP2505 (F 2505)

Inner pack: 2 Master pack: 10

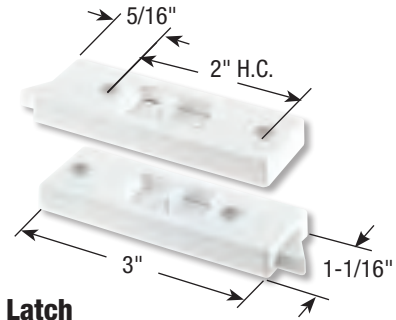


Latch & Pull

- Black plastic latch
- Fits Bee Cee® windows

MP2548 (F 2548)

Inner pack: 1 Master pack: 10

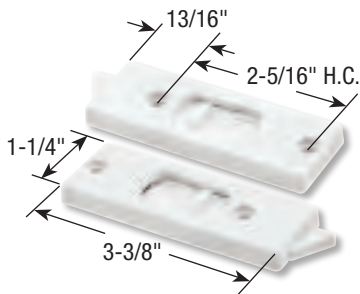


Tilt Latch

- White
- 1 left hand and 1 right hand latch
- Spring-loaded, vinyl tilt latch
- Used on single or double-hung, aluminum or vinyl windows

MP2598 (F 2598)

Inner pack: 1 Master pack: 10

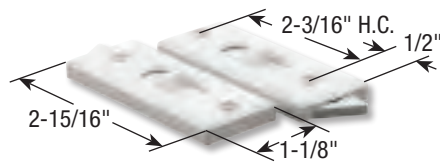


Tilt Latch

- White
- 1 left hand and 1 right hand latch
- Spring-loaded, vinyl tilt latch
- Used on single or double-hung, aluminum or vinyl windows

MP2599 (F 2599)

Inner pack: 1 Master pack: 10

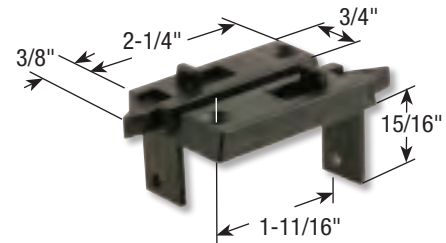


Tilt Latch

- White
- 1 left hand and 1 right hand latch
- Spring-loaded, vinyl tilt latch
- Used on single or double-hung, aluminum or vinyl windows

MP2627 (F 2627)

Inner pack: 1 Master pack: 10



Tilt Latch

- 1 left hand and 1 right hand latch
- Spring loaded plastic tilt latch
- Fits Better Built® windows

MP2628 (F 2628 black)

Inner pack: 2 Master pack: 10

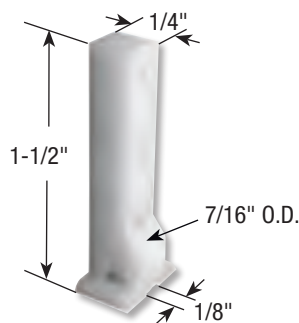


Finger Pull

- Adhesive-backed plastic handle
- Easy installation
- Universal application

MP2549 (F 2549 clear)

Inner pack: 6 Master pack: 10

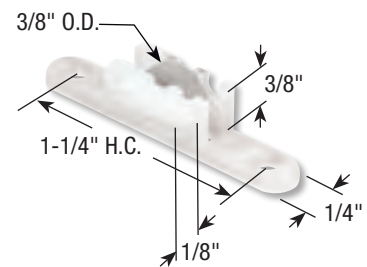


Roller Assembly

- Nylon housing
- Flat edge nylon roller
- Fits on Guaranteed Products®

MP3004 (G 3004)

Inner pack: 4 Master pack: 10

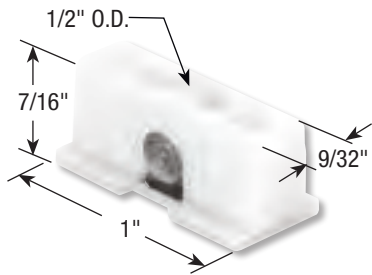


Roller Assembly

- Nylon housing
- Flat edge steel roller
- Fits on Tomrays Tyco 66® windows, and others

MP3038 (G 3038)

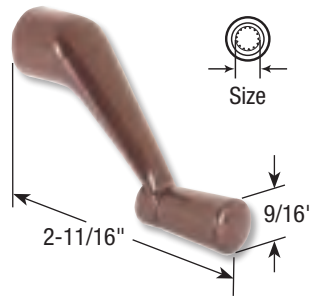
Inner pack: 4 Master pack: 10



Roller Assembly

- Nylon housing
- Steel roller
- Fits on Superlite® Series 8000 windows

MP3089 (G 3089)
Inner pack: 2 Master pack: 10

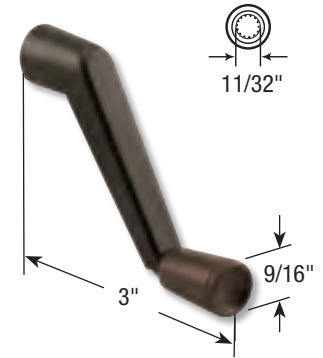


Crank Handle

- Diecast handle
- Universal design
- Offers excellent torque for easiest opening and closing of window

MP3532 (H 3532 5/16" bronze)
Inner pack: 2 Master pack: 10

MP3534-2 (H 3534 3/8" bronze)
Inner pack: 2 Master pack: 10



Crank Handle

- Bronze diecast handle
- Universal design
- Offers excellent torque for easiest opening and closing of window

MP3686 (H 3686)
Inner pack: 1 Master pack: 10

Casement Operator (Teardrop)

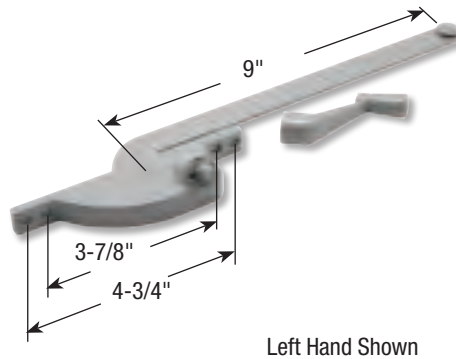
- Worm gear mechanism driven
- Steel arm
- 5/16" diameter spindle
- Used on steel framed windows

MP3502 (H 3502 left hand - aluminum)
Inner pack: 1 Master pack: 5

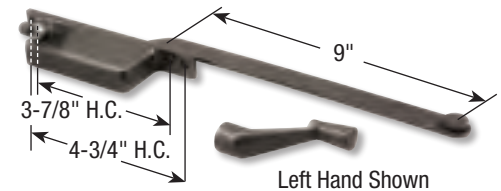
MP3505 (H 3505 left hand - bronze)
Inner pack: 1 Master pack: 5

MP3508 (H 3508 right hand - aluminum)
Inner pack: 1 Master pack: 5

MP3511 (H 3511 right hand - bronze)
Inner pack: 1 Master pack: 5



Left Hand Shown



Left Hand Shown

Casement Operator (Square)

- Worm gear mechanism driven
- Steel arm
- 3/8" diameter spindle
- Used on steel framed windows

MP3517 (H 3517 left hand - bronze)
Inner pack: 1 Master pack: 5

MP3523 (H 3523 right hand - bronze)
Inner pack: 1 Master pack: 5



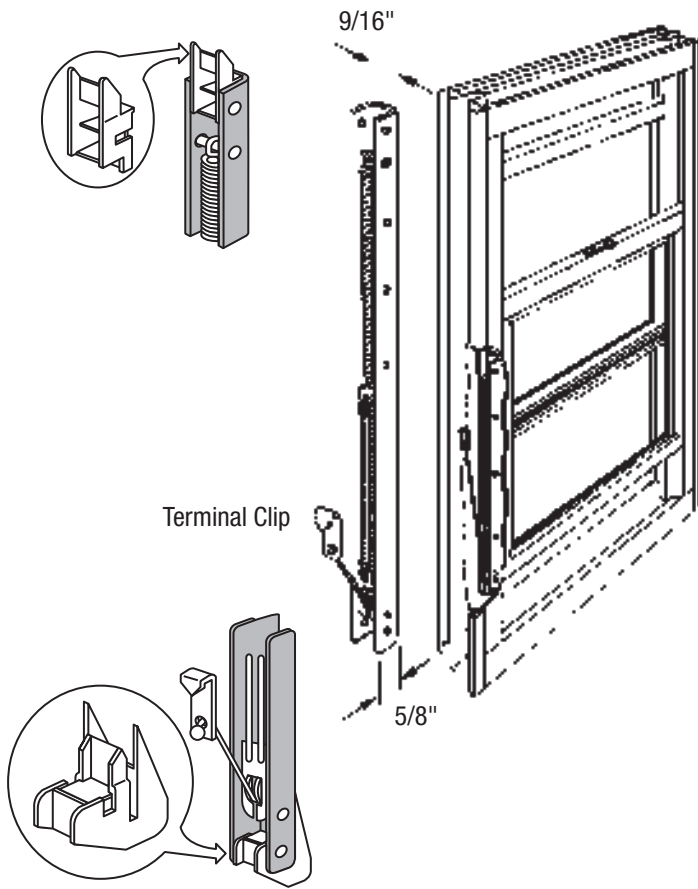
Don't see your part here?

» Visit our website or call...

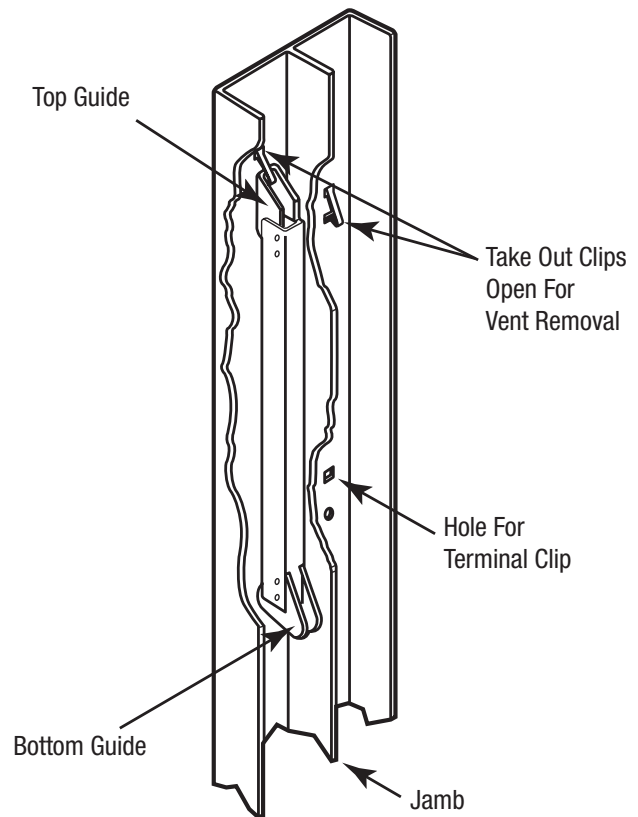
primeline.net
1.800.899.7799

CHANNEL WINDOW BALANCES

Used On Single Or Double Hung Sash



Balance Shown Installed In Jamb With Vent Removed



Ordering Tips:

- Check the back side of channel for stamped numbers (i.e.; 1410, 28A, 3620, etc.).
 - The first two digits indicate the actual glass height.
 - The balance is 1" **LONGER** than the part number indicates (i.e.; **#1410 is 15" long**).
 - The second two digits or letter designation (A, B, C, D) denote the weight series of the balance (i.e.; #1410 or 14A is for light weight sash, 142Q or 14B is medium, 143Q or 14C is medium to heavy and 144Q or 14D is heavy. Please see the enclosed **Selection Chart** for actual weight variations.
- The balance number, by itself, does not include top or bottom guides.
 - Determine the correct guides required from the accessory page. You may use the existing guides from the defective balance, however, this will require drilling out the attaching rivets.
 - New guides may be ordered (installed) special order.

Installation Hints: Vents must be removed in order to replace the balance assemblies.

TO REMOVE VENT: Close vent to expose take-out clips. Open both clips for vent removal. Raise vent until top guide engages take-out clip. Continue to raise vent, 2 to 3 inches more. Move vent right or left as far as possible. Removal is then accomplished by swinging the opposite side of vent inward.

TO REPLACE BALANCE ASSEMBLY: Push down on balance until top guide is clear of take-out clip. Hold firmly and slowly lift up and away from jamb. Remove terminal clip and install new balance assembly using the reverse installation procedure. Be sure that top guide is secured under take-out clip. It is recommended that both balance assemblies be replaced in order to allow for efficient operation.

TO REPLACE VENT: Position right or left side of vent into jamb, 2 to 3 inches above take-out clip and swing opposite side into alignment with frame. Then lower vent to engage balances and on down to clear take-out clips. This will automatically center the vent. Snap take-out clips into jamb to facilitate normal operation.

SELECTION CHART (All balances sold individually in bulk)

Balance* Number	Alternate Number	Balance Height	Vent Weight	Balance* Number	Alternate Number	Balance Height	Vent Weight
FA 1210	12A	13"	3 - 6	FA 2510	25A	26"	5 - 9
FA 1220	12B	13"	6 - 9	FA 2520	25B	26"	9 - 15
FA 1230	12C	13"	9 - 11	FA 2530	25C	26"	15 - 19
FA 1240	12D	13"	11 - 12	FA 2540	25D	26"	19 - 25
FA 1310	13A	14"	3 - 6	FA 2610	26A	27"	5 - 9
FA 1320	13B	14"	6 - 9	FA 2620	26B	27"	9 - 13
FA 1330	13C	14"	9 - 11	FA 2630	26C	27"	13 - 19
FA 1340	13D	14"	11 - 12	FA 2640	26D	27"	19 - 26
FA 1410	14A	15"	4 - 6	FA 2710	27A	28"	5 - 9
FA 1420	14B	15"	6 - 10	FA 2720	27B	28"	9 - 13
FA 1430	14C	15"	10 - 12	FA 2730	27C	28"	13 - 19
FA 1440	14D	15"	12 - 13	FA 2740	27D	28"	19 - 26
FA 1510	15A	16"	4 - 6	FA 2810	28A	29"	7 - 12
FA 1520	15B	16"	6 - 10	FA 2820	28B	29"	12 - 16
FA 1530	15C	16"	10 - 12	FA 2830	28C	29"	16 - 23
FA 1540	15D	16"	12 - 13	FA 2840	28D	29"	23 - 28
FA 1610	16A	17"	5 - 8	FA 2910	29A	30"	7 - 12
FA 1620	16B	17"	8 - 12	FA 2920	29B	30"	12 - 16
FA 1630	16C	17"	12 - 14	FA 2930	29C	30"	16 - 23
FA 1640	16D	17"	14 - 19	FA 2940	29D	30"	23 - 28
FA 1710	17A	18"	5 - 8	FA 3010	30A	31"	7 - 12
FA 1720	17B	18"	8 - 12	FA 3020	30B	31"	12 - 16
FA 1730	17C	18"	12 - 14	FA 3030	30C	31"	16 - 23
FA 1740	17D	18"	14 - 17	FA 3040	30D	31"	23 - 28
FA 1810	18A	19"	5 - 8	FA 3110	31A	32"	7 - 12
FA 1820	18B	19"	8 - 12	FA 3120	31B	32"	12 - 16
FA 1830	18C	19"	12 - 14	FA 3130	31C	32"	16 - 23
FA 1840	18D	19"	14 - 17	FA 3140	31D	32"	23 - 28
FA 1910	19A	20"	5 - 8	FA 3210	32A	33"	8 - 13
FA 1920	19B	20"	8 - 12	FA 3220	32B	33"	13 - 18
FA 1930	19C	20"	12 - 14	FA 3230	32C	33"	18 - 23
FA 1940	19D	20"	14 - 17	FA 3240	32D	33"	23 - 28
FA 2010	20A	21"	5 - 8	FA 3310	33A	34"	8 - 13
FA 2020	20B	21"	8 - 12	FA 3320	33B	34"	13 - 18
FA 2030	20C	21"	12 - 15	FA 3330	33C	34"	18 - 23
FA 2040	20D	21"	15 - 23	FA 3340	33D	34"	23 - 28
FA 2110	21A	22"	5 - 8	FA 3410	34A	35"	8 - 13
FA 2120	21B	22"	8 - 12	FA 3420	34B	35"	13 - 18
FA 2130	21C	22"	12 - 15	FA 3430	34C	35"	18 - 23
FA 2140	21D	22"	15 - 23	FA 3440	34D	35"	23 - 30
FA 2210	22A	23"	5 - 8	FA 3510	35A	36"	8 - 13
FA 2220	22B	23"	8 - 12	FA 3520	35B	36"	13 - 18
FA 2230	22C	23"	12 - 19	FA 3530	35C	36"	18 - 23
FA 2240	22D	23"	19 - 23	FA 3540	35D	36"	23 - 30
FA 2310	23A	24"	5 - 9	FA 3610	36A	37"	8 - 13
FA 2320	23B	24"	9 - 15	FA 3620	36B	37"	13 - 18
FA 2330	23C	24"	15 - 18	FA 3630	36C	37"	18 - 23
FA 2340	23D	24"	18 - 23	FA 3640	36D	37"	23 - 30
FA 2410	24A	25"	5 - 9	FA 3710	37A	38"	8 - 13
FA 2420	24B	25"	9 - 15	FA 3720	37B	38"	13 - 18
FA 2430	24C	25"	15 - 19	FA 3730	37C	38"	18 - 23
FA 2440	24D	25"	19 - 24	FA 3740	37D	38"	23 - 30

*Top and bottom guides are not included.

SELECTION CHART (Continued)

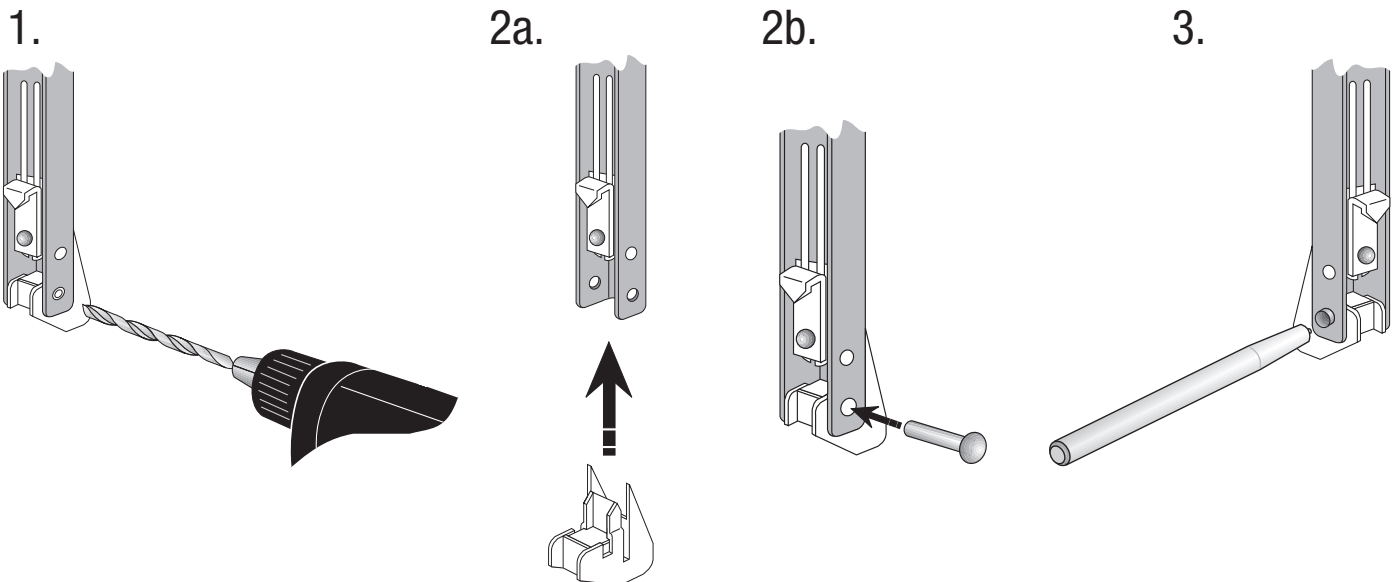
Balance* Number	Alternate Number	Balance Height	Vent Weight	Balance* Number	Alternate Number	Balance Height	Vent Weight
FA 3810	38A	39"	9 - 14	FA 4110	41A	42"	9 - 14
FA 3820	38B	39"	14 - 19	FA 4120	41B	42"	14 - 19
FA 3830	38C	39"	19 - 24	FA 4130	41C	42"	19 - 24
FA 3840	38D	39"	24 - 30	FA 4140	41D	42"	24 - 30
FA 3910	39A	40"	9 - 14	FA 4220	42B	43"	14 - 19
FA 3920	39B	40"	14 - 19	FA 4230	42C	43"	19 - 24
FA 3930	39C	40"	19 - 24	FA 4240	42D	43"	24 - 30
FA 3940	39D	40"	24 - 30				
FA 4010	40A	41"	9 - 14				
FA 4020	40B	41"	14 - 19				
FA 4030	40C	41"	19 - 23				
FA 4040	40D	41"	23 - 30				

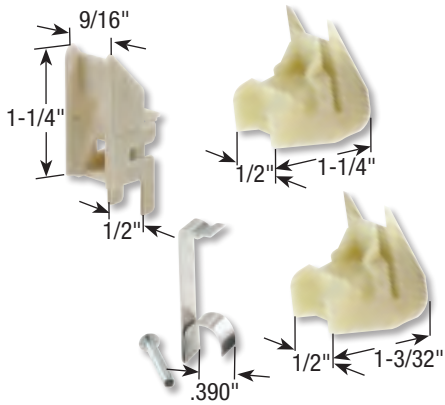
*Top and bottom guides are not included.

CHANNEL BALANCE ACCESSORIES

Easy Guide Replacement

1. Drill out existing rivet using 3/32" bit (drill thru crimped side of rivet).
2. Slide new self locating guide (top or bottom) on to appropriate end of balance. Align holes and insert rivet thru the drilled out hole in balance.
3. Place balance on solid surface with rivet head down. Locate pointed end of rivet installation tool in open end of rivet. Tap end of tool firmly with hammer to crimp rivet.

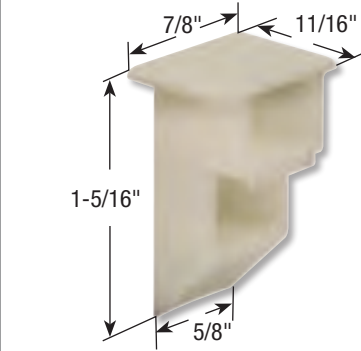




12 Piece Channel Balance Repair Kit

- Nylon top & bottom guides
- Steel rivet and take-out clip
- Enough to do 2 balances

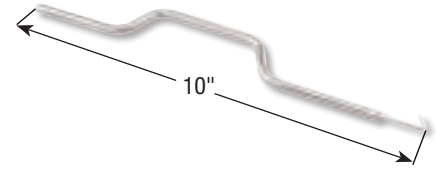
MP3754 (H 3754)
 Inner pack: 1 Master pack: 10



Sash Cam

- Plastic
- Attaches to top edge of vent and provide for proper operating clearance

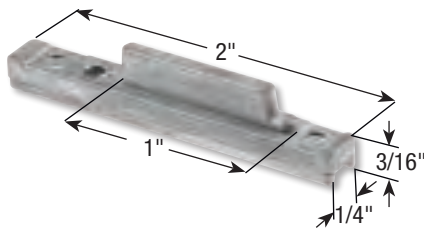
MP3838 (H 3838)
 Inner pack: 2 Master pack: 10



Tension Tool

- For non-tilt balances
- Plated steel tool used to crank necessary balance spring tension

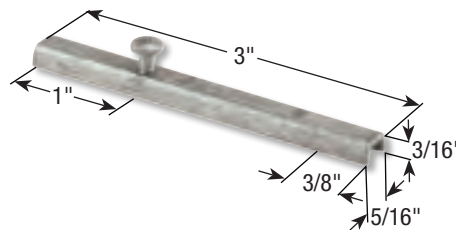
MP3788 (H 3788)
 Inner pack: 1 Master pack: 10



Pivot Bar

- Zinc diecast
- Used with 3/8" spiral balances on tilt style systems

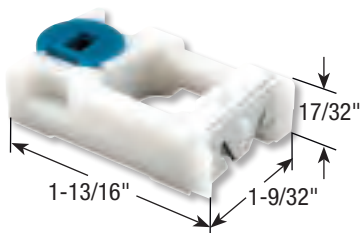
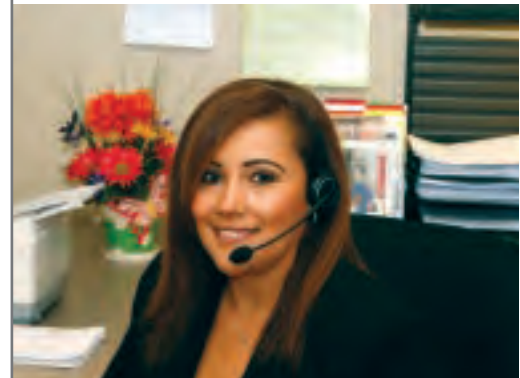
MP3897-2 (H 3897)
 Inner pack: 2 Master pack: 10



Pivot Bar

- Stamped steel
- Used with 5/8" spiral balances on tilt style systems

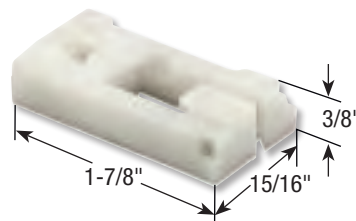
MP3758-2 (H 3758)
 Inner pack: 2 Master pack: 10



Pivot Lock Shoe

- Tilt window design
- For 3/8" diameter spiral balances
- Glass filled nylon

MP3785 (H 3785)
 Inner pack: 2 Master pack: 10



Pivot Lock Shoe

- Tilt window design
- For 5/8" diameter spiral balances
- Glass filled nylon

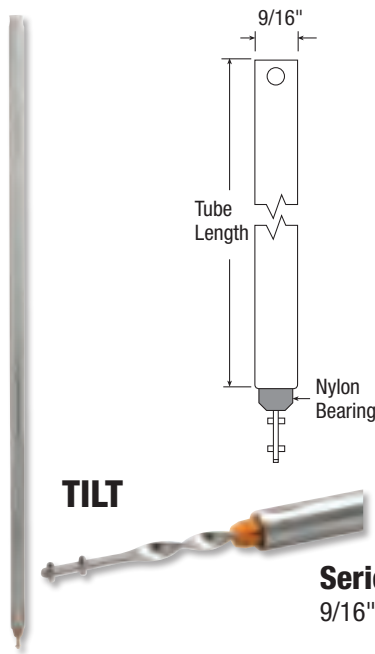
MP3786 (H 3786)
 Inner pack: 2 Master pack: 10

SPECIAL ORDER

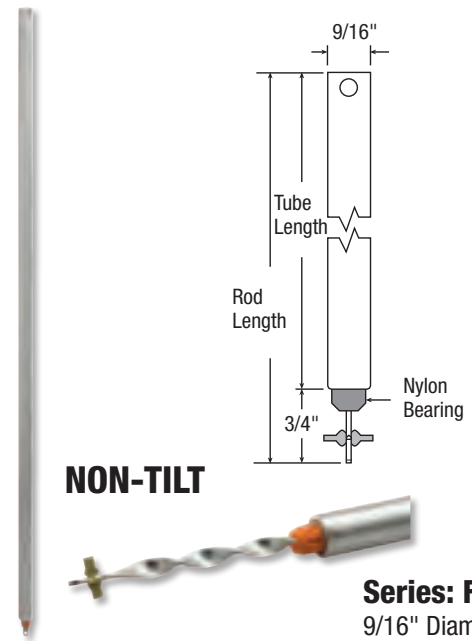
» If you don't see your part here, call...

1.800.899.7799

SPIRAL WINDOW BALANCES



Series: FH
9/16" Diameter

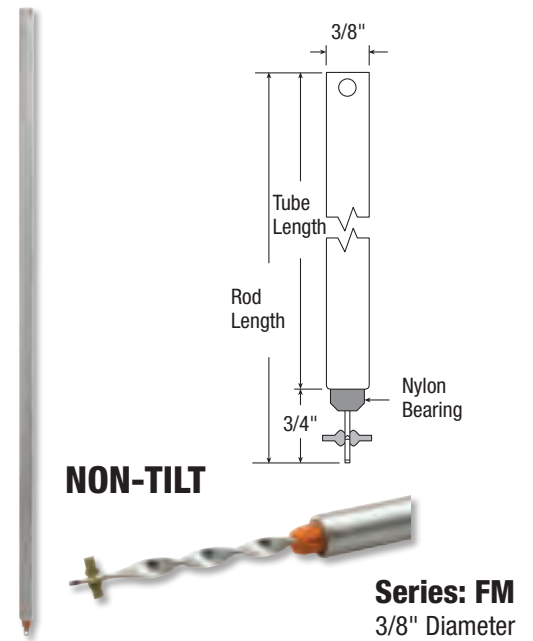
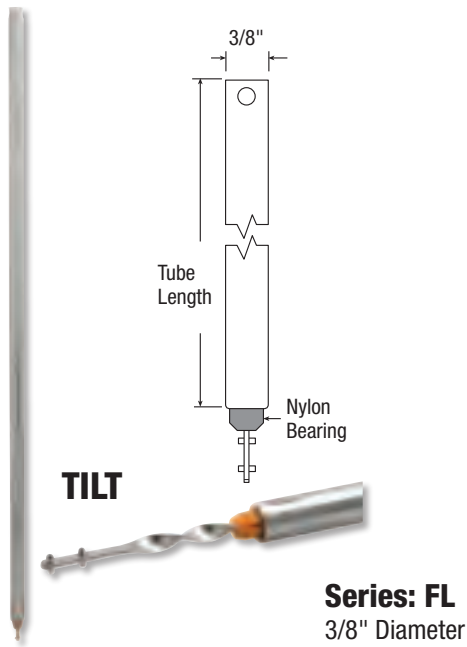


Series: FJ
9/16" Diameter

Tube Length	Bearing Color		
	White	Orange	Blue
15	FH 1510	FH 1520	FH 1530
16	FH 1610	FH 1620	FH 1630
17	FH 1710	FH 1720	FH 1730
18	FH 1810	FH 1820	FH 1830
19	FH 1910	FH 1920	FH 1930
20	FH 2010	FH 2020	FH 2030
21	—	FH 2120	FH 2130
22	—	FH 2220	FH 2230
23	—	FH 2320	FH 2330
24	—	FH 2420	FH 2430
25	—	FH 2520	FH 2530
26	—	FH 2620	FH 2630
27	—	FH 2720	FH 2730
28	—	FH 2820	FH 2830
29	—	FH 2920	FH 2930
30	—	FH 3020	FH 3030
31	—	FH 3120	FH 3130
32	—	FH 3220	FH 3230
33	—	FH 3320	—
34	—	FH 3420	—
35	—	FH 3520	—
36	—	FH 3620	—
37	—	FH 3720	—
38	—	FH 3820	—
39	—	FH 3920	—

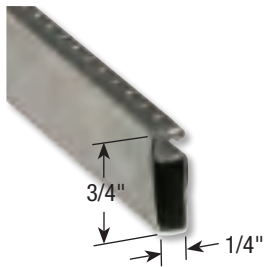
Tube Length	Bearing Color	
	Orange	Blue
15	FJ 1520	FJ 1530
16	FJ 1620	FJ 1630
17	FJ 1720	FJ 1730
18	FJ 1820	FJ 1830
19	FJ 1920	FJ 1930
20	FJ 2020	FJ 2030
21	FJ 2120	FJ 2130
22	FJ 2220	FJ 2230
23	FJ 2320	FJ 2330
24	FJ 2420	FJ 2430
25	FJ 2520	FJ 2530
26	FJ 2620	FJ 2630
27	FJ 2720	FJ 2730
28	FJ 2820	FJ 2830
29	FJ 2920	FJ 2930
30	FJ 3020	FJ 3030
31	FJ 3120	FJ 3130
32	FJ 3220	FJ 3230
33	FJ 3320	—
34	FJ 3420	—
35	FJ 3520	—
36	FJ 3620	—
37	FJ 3720	—
38	FJ 3820	—
39	FJ 3920	—

SPIRAL WINDOW BALANCES



Tube Length	Bearing Color Orange
18	FL 1820
19	FL 1920
20	FL 2020
21	FL 2120
22	FL 2220
23	FL 2320
24	FL 2420
25	FL 2520
26	FL 2620
27	FL 2720
28	FL 2820
29	FL 2920
30	FL 3020

Tube Length	Bearing Color Orange
18	FM 1820
19	FM 1920
20	FM 2020
21	FM 2120
22	FM 2220
23	FM 2320
24	FM 2420
25	FM 2520
26	FM 2620
27	FM 2720
28	FM 2820
29	FM 2920
30	FM 3020



Aluminum Screen Frame

- 3/4" x 1/4" x 72"
- .020 Gauge
- Use .135 spline for aluminum mesh
- Use .150 spline for fiberglass mesh

MP14089 (PL 14089 mill)

Box of 20

MP14090 (PL 14090 bronze)

Box of 20

MP14091 (PL 14091 white)

Box of 20



Corner

- 3/4" x 1/4"
- Plastic
- Square cut

MP7718-50 (PL 7718 gray)

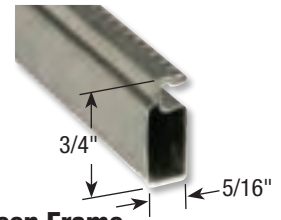
Inner pack: 50 Master pack: 10

MP7719-50 (PL 7719 bronze)

Inner pack: 50 Master pack: 10

MP7720-50 (PL 7720 white)

Inner pack: 50 Master pack: 10



Aluminum Screen Frame

- 3/4" x 5/16" x 72"
- .020 Gauge
- Use .165 spline for aluminum mesh
- Use .185 spline for fiberglass mesh

MP14071 (PL 14071 mill)

Box of 20

MP14073 (PL 14073 bronze)

Box of 20

MP14074 (PL 14074 white)

Box of 20

MP14075 (PL 14075 almond)

Box of 20



Corner

- 3/4" x 5/16"
- Plastic
- Square cut

MP7727-50 (PL 7727 gray)

Inner pack: 50 Master pack: 10

MP7728-50 (PL 7728 bronze)

Inner pack: 50 Master pack: 10

MP7729-50 (PL 7729 white)

Inner pack: 50 Master pack: 10

MP7871-50 (PL 7871 almond)

Inner pack: 50 Master pack: 10

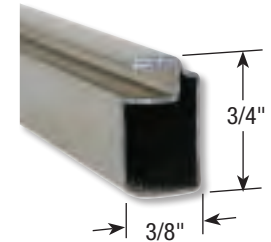


Corner

- 3/4" x 5/16"
- Aluminum
- Miter cut

MP5591-50 (L 5591)

Inner pack: 50 Master pack: 10



Aluminum Screen Frame

- 3/4" x 3/8" x 72"
- .020 Gauge
- Use .165 spline for aluminum mesh
- Use .185 spline for fiberglass mesh

MP7866 (PL 14053 mill)

Box of 20

MP14055 (PL 14055 bronze)

Box of 20

MP14056 (PL 14056 white)

Box of 20



Corner

- 3/4" x 3/8"
- Plastic
- Square cut

MP7721-50 (PL 7721 gray)

Inner pack: 50 Master pack: 10

MP7722-50 (PL 7722 bronze)

Inner pack: 50 Master pack: 10

MP7723-50 (PL 7723 white)

Inner pack: 50 Master pack: 10

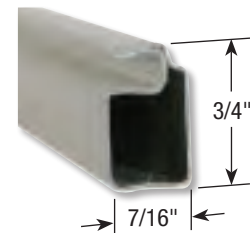


Corner

- 3/4" x 3/8"
- Aluminum
- Miter cut

MP5619 (L 5619)

Inner pack: 50 Master pack: 10



Aluminum Screen Frame

- 3/4" x 7/16" x 72"
- .020 Gauge
- Use .165 spline for aluminum mesh
- Use .185 spline for fiberglass mesh

MP14035 (PL 14035 mill)

Box of 20

MP14037 (PL 14037 bronze)

Box of 20

MP14038 (PL 14038 white)

Box of 20



Corner

- 3/4" x 7/16"
- Plastic
- Square cut

MP7724-50 (PL 7724 gray)
Inner pack: 50 Master pack: 10

MP7725-50 (PL 7725 bronze)
Inner pack: 50 Master pack: 10

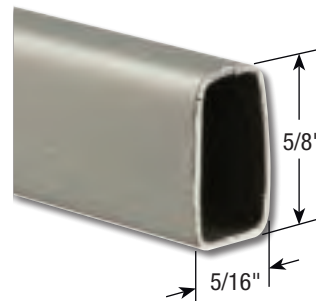
MP7726-50 (PL 7726 white)
Inner pack: 50 Master pack: 10



Corner

- 3/4" x 7/16"
- Aluminum
- Miter cut

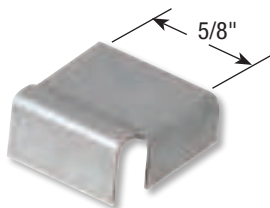
MP5592-50 (L 5592)
Inner pack: 50 Master pack: 10



Aluminum Spreader Bar

- 5/8" x 5/16" x 72"
- .025 Gauge

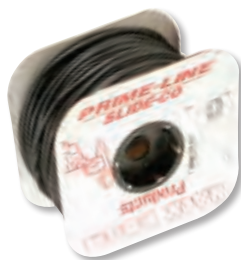
MP14138 (PL 14138 mill)
Box of 20



Spreader Bar Clip

- Stamped aluminum
- Used to attached center support bar to screen frame
- For use on screens wider than 36" or longer than 48"

MP7794-50 (PL 7794)
Inner pack: 50 Master pack: 10



Spline

- Black vinyl
- 500 ft.
- Serrated
- For aluminum & fiberglass screening

MP7560 (P 7560 - .135)
Inner pack: 1 Master pack: 4

MP7580 (P 7580 - .175)
Inner pack: 1 Master pack: 4

MP7946 (P 7946 - .185)
Inner pack: 1 Master pack: 4



Spline

- Black vinyl
- 15 lbs.
- Serrated
- For aluminum & fiberglass screening

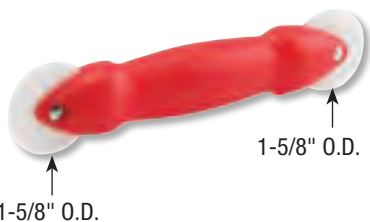
MP7565 (P 7565 - .140 - 1920 ft.)
Inner pack: 1 Master pack: 2

MP7569 (P 7569 - .155 - 1710 ft.)
Inner pack: 1 Master pack: 2

MP7573 (P 7573 - .165 - 1500 ft.)
Inner pack: 1 Master pack: 2

MP7581 (P 7581 - .175 - 1320 ft.)
Inner pack: 1 Master pack: 2

MP8010 (P 8010 - .185 - 1140 ft.)
Inner pack: 1 Master pack: 2



Standard Duty Rolling Tool

- Combination tool with plastic handle
- Nylon convex and concave rollers
- Used to install fiberglass screen fabric and vinyl spline into window screen frame

MP7503 (P 7503)
Inner pack: 1 Master pack: 10



Standard Duty Rolling Tool

- Combination tool with wood handle
- Steel convex and concave rollers
- Used to install most screening materials and vinyl spline into window screen frame

MP7505 (P 7505)
Inner pack: 1 Master pack: 10



Heavy Duty Rolling Tool

- Combination tool with wood handle
- Steel ball bearing convex and concave rollers
- Used to install most screening materials and vinyl spline into window screen frame

MP7508 (P 7508)
Inner pack: 1 Master pack: 10

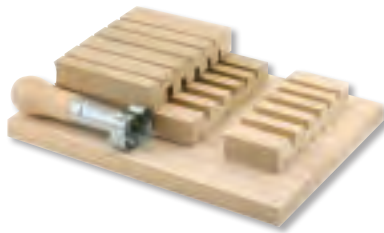


Professional Grade Rolling Tool

- Combination tool with wood handle
- Nylon convex and concave ball bearing rollers
- Used to install most screening materials and vinyl spline into window screen frame

MP7514 (P 7514)

Inner pack: 1 Master pack: 5

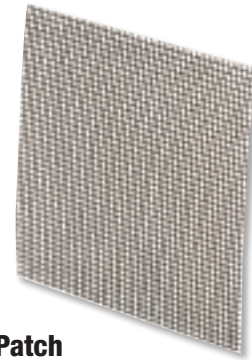


Notching Jig

- Allows frame to be securely held while being notched
- Notched frame allows application of slide locks, tension springs and knife latches
- Notching tool included

MP7916 (P 7916)

Inner pack: 1 Master pack: 1



Screen Patch

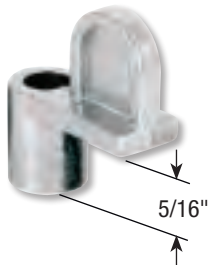
- Self adhesive
- 3" x 3"
- For fiberglass screen repair

MP8095-5 (P 8095 gray)

Inner pack: 5 Master pack: 10

MP8096-5 (P 8096 charcoal)

Inner pack: 5 Master pack: 10

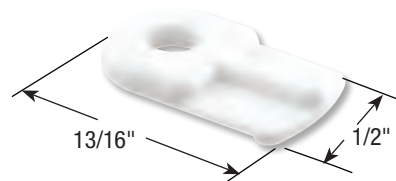


Clip

- Clear zinc diecast
- Used to attach screens and storm windows to window opening

MP5503 (L 5503)

Inner pack: 25 Master pack: 10

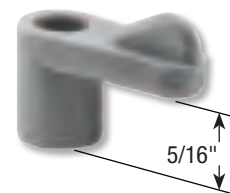


Clip

- White plastic
- Used to attach screens and storm windows to window opening

MP5506-50 (L 5506)

Inner pack: 50 Master pack: 10

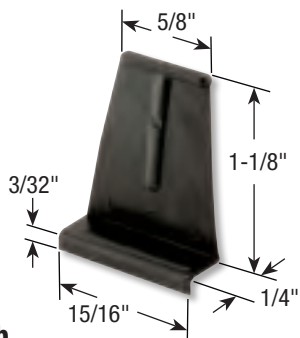


Clip

- Gray plastic
- Used to attach screens and storm windows to window opening

MP5509-50 (L 5509)

Inner pack: 50 Master pack: 10



Lift Tab

- Plastic
- Installed in spline channel to aid in removal of window screen from window frame

MP5525 (L 5525 white)

Inner pack: 50 Master pack: 10

MP5566-50 (L 5566 black)

Inner pack: 50 Master pack: 10

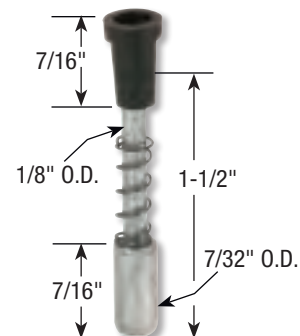


Tension Spring

- Heat-treated steel
- Holds window screens into sliding aluminum window screen channels

MP5577-50 (L 5577)

Inner pack: 50 Master pack: 10



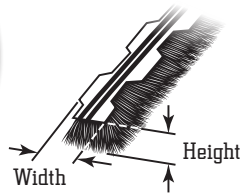
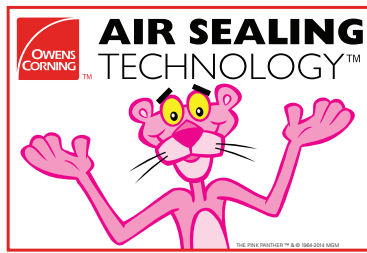
Plunger Latch

- Spring loaded
- Diecast
- Holds aluminum frame screens into window frames

MP5541 (L 5541)

Inner pack: 25 Master pack: 10

New Item



Zipper Pile™

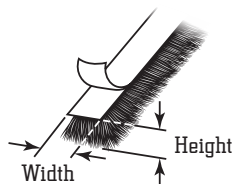
SNAP IN
PILE WEATHERSTRIP

LIFETIME WARRANTY

- Dual fin barrier protection
- Woven pile material won't break down like felt or foam tape
- Resists air, water, sound, mold, mildew and dust
- Provides effective perimeter sealing and insulating benefits
- Patented installation system lets you easily zip insulation into window without having to remove window parts or glass
- Zipper pile fits into existing window channel

	Width	Height	Length	Color
T 8755 Inner pack: 1 Master pack: 4	1/4 in	1/4 in	18 ft	White
T 8756 Inner pack: 1 Master pack: 4	1/4 in	1/4 in	18 ft	Grey
T 8757 Inner pack: 1 Master pack: 4	1/4 in	3/8 in	18 ft	White
T 8758 Inner pack: 1 Master pack: 4	1/4 in	3/8 in	18 ft	Grey
T 8759 Inner pack: 1 Master pack: 4	3/16 in	1/4 in	18 ft	White
T 8760 Inner pack: 1 Master pack: 4	3/16 in	1/4 in	18 ft	Grey
T 8761 Inner pack: 1 Master pack: 4	3/16 in	3/8 in	18 ft	White
T 8762 Inner pack: 1 Master pack: 4	3/16 in	3/8 in	18 ft	Grey
P 8757 Inner pack: 1 roll	1/4 in	1/4 in	250 ft	White
P 8758 Inner pack: 1 roll	1/4 in	1/4 in	250 ft	Grey
P 8759 Inner pack: 1 roll	1/4 in	3/8 in	250 ft	White
P 8760 Inner pack: 1 roll	1/4 in	3/8 in	250 ft	Grey
P 8761 Inner pack: 1 roll	3/16 in	1/4 in	250 ft	White
P 8762 Inner pack: 1 roll	3/16 in	1/4 in	250 ft	Grey
P 8763 Inner pack: 1 roll	3/16 in	3/8 in	250 ft	White
P 8764 Inner pack: 1 roll	3/16 in	3/8 in	250 ft	Grey

New Item

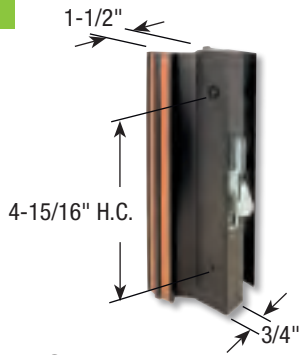


SELF ADHESIVE
PILE WEATHERSTRIP

LIFETIME WARRANTY

- Dual fin barrier protection
- Woven pile material won't break down like felt or foam tape
- Resists air, water, sound, mold, mildew and dust
- Provides effective perimeter sealing and insulating benefits

	Width	Height	Length	Color
T 8751 Inner pack: 1 Master pack: 4	1/4 in	1/4 in	18 ft	White
T 8752 Inner pack: 1 Master pack: 4	1/4 in	1/4 in	18 ft	Grey
T 8753 Inner pack: 1 Master pack: 4	1/4 in	3/8 in	18 ft	Grey
T 8754 Inner pack: 1 Master pack: 4	3/16 in	1/4 in	18 ft	White
P 8753 Inner pack: 1 roll	1/4 in	1/4 in	250 ft	White
P 8754 Inner pack: 1 roll	1/4 in	1/4 in	250 ft	Grey
P 8755 Inner pack: 1 roll	1/4 in	3/8 in	250 ft	White
P 8756 Inner pack: 1 roll	1/4 in	3/8 in	250 ft	Grey

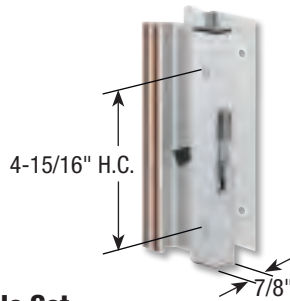


Handle Set

- Extruded aluminum inside latch and outside pull
- Reversible
- Overall handle height is 1-1/2"
- Latch hook profile is 3/8"

MP1000 (C 1000 aluminum)
Inner pack: 1 Master pack: 5

MP1001 (C 1001 black)
Inner pack: 1 Master pack: 5

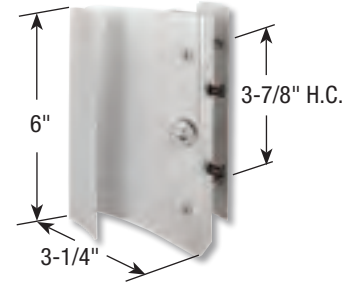


Handle Set

- Low profile extruded aluminum inside latch and outside pull
- Overall handle height is 1"
- Latch hook profile is 7/16"
- Ideal for doors with vertical or horizontal blinds

MP1004 (C 1004 aluminum)
Inner pack: 1 Master pack: 5

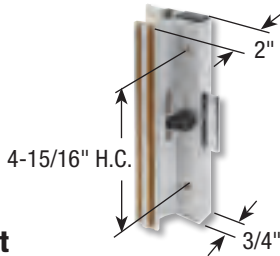
MP1007 (C 1007 black)
Inner pack: 1 Master pack: 5



Handle Set

- Extruded aluminum inside latch and outside pull
- Spring loaded hook pins twist to lock into door jamb
- No keeper required
- Fits Ador Hillite® doors

MP1014 (C 1014)
Inner pack: 1 Master pack: 5

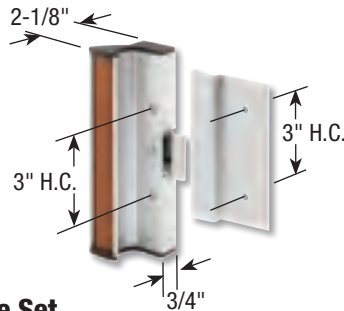


Handle Set

- Extruded aluminum inside latch and outside pull
- Stamped steel clamp flips down to engage door jamb
- No keeper required
- Clamp profile is 1/4"
- Clamp projection is 1/2" when clamp is in the locked position

MP1005 (C 1005 aluminum)
Inner pack: 1 Master pack: 5

MP1006 (C 1006 black)
Inner pack: 1 Master pack: 5

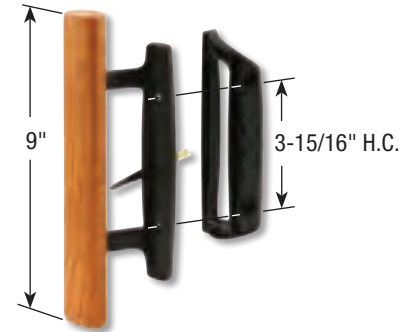


Handle Set

- Extruded aluminum inside latch and outside pull
- Extruded aluminum saw-tooth style clamp
- Locks door automatically when clamp is in the locked position and the door is being closed
- Fits 900 series International® doors

MP1055 (C 1055 aluminum)
Inner pack: 1 Master pack: 5

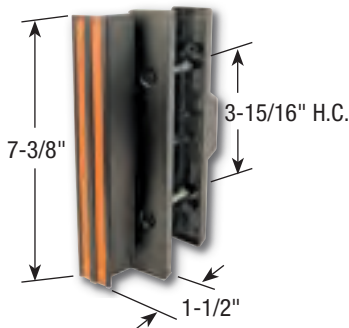
MP1073 (C 1073 black)
Inner pack: 1 Master pack: 5



Handle Set

- Diecast inside latch with wood pull
- Diecast outside pull
- Diecast and stamped steel thumb turn
- Non-handed

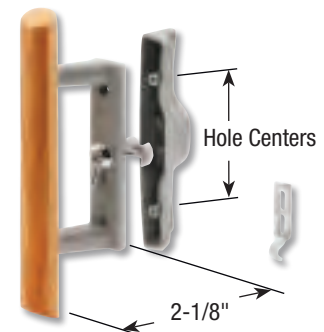
MP1131 (C 1131)
Inner pack: 1 Master pack: 5



Handle Set

- Extruded aluminum inside latch
- Diecast outside pull
- Stamped steel thumb turn
- Non-handed

MP1058 (C 1058)
Inner pack: 1 Master pack: 5



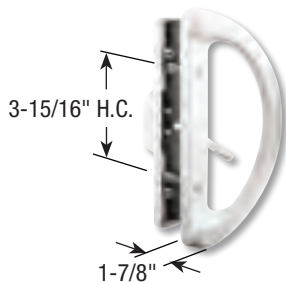
Handle Set

- Diecast handle and latch assembly with wood pull
- Thumb turn and hold open spring are reversible for left or right handing
- Stamped steel keeper
- Night latch feature

MP1018 (C 1018 aluminum 3-15/16" H.C.)
Inner pack: 1 Master pack: 5

MP1107 (C 1107 black 3-15/16" H.C.)
Inner pack: 1 Master pack: 5

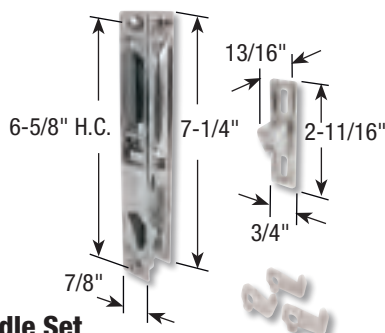
MP1095 (C 1095 black 3-1/2" H.C.)
Inner pack: 1 Master pack: 5



Handle Set

- Heavy duty white diecast inside latch assembly
- White diecast outside pull handle
- Thumb turn
- Non-handed

MP1225 (C 1225)
Inner pack: 1 Master pack: 5

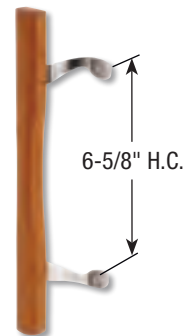


Handle Set

- Diecast flush latch assembly
- Four different sized hooks, which are reversible for left or right handing
- Diecast keeper
- Night latch feature

MP1043 (C 1043 black)
Inner pack: 1 Master pack: 5

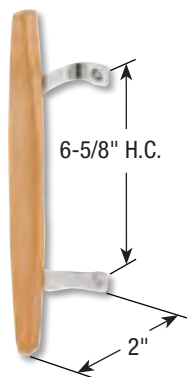
MP1045 (C 1045 chrome)
Inner pack: 1 Master pack: 10



Pull

- Hardwood pull handle with stained finish
- Chrome diecast mounting brackets
- Used on flush handle sets with 6-5/8\" hole centers

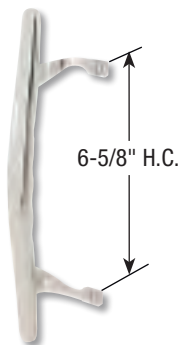
MP1034 (C 1034)
Inner pack: 1 Master pack: 10



Pull

- Hardwood pull handle with stained finish
- Chrome diecast mounting brackets

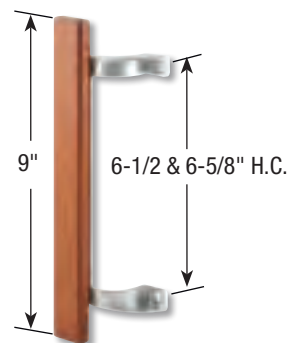
MP1069 (C 1069)
Inner pack: 1 Master pack: 10



Pull

- Chrome diecast pull handle
- Used on flush handle sets with 6-5/8\" hole centers

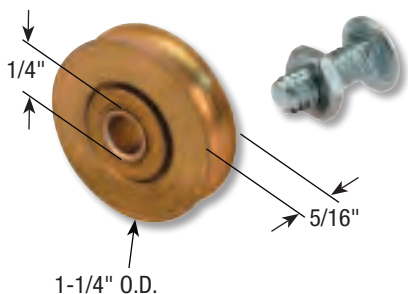
MP1067 (C 1067)
Inner pack: 1 Master pack: 10



Pull

- Hardwood pull handle with stained finish
- One piece chrome diecast base
- Mounting holes are slotted, to fit both 6-1/2\" and 6-5/8\" hole centers

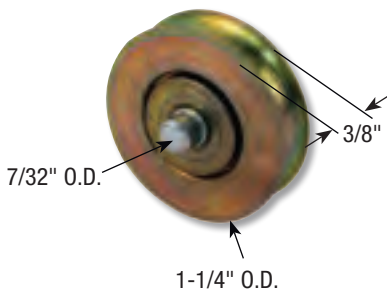
MP1189 (C 1189)
Inner pack: 1 Master pack: 5



Roller

- 1-1/4\" O.D. center groove steel ball bearing roller
- 1/4\" diameter hole
- Includes 1/4\"-20 x 3/4\" carriage bolt

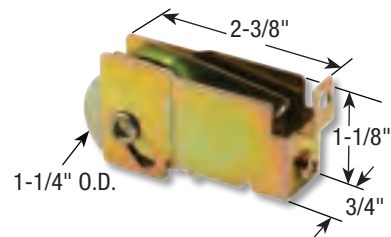
MP1502 (D 1502)
Inner pack: 2 Master pack: 10



Roller

- Center groove steel ball bearing roller
- Includes built-in axle

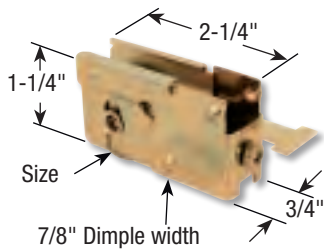
MP1765 (D 1765)
Inner pack: 2 Master pack: 10



Roller Assembly

- 1-1/4\" O.D. center groove steel ball bearing roller assembly
- Adjustable steel housing
- Fits on Christian Porter®, Fullview® and other patio door manufacturers

MP1515 (D 1515)
Inner pack: 1 Master pack: 10

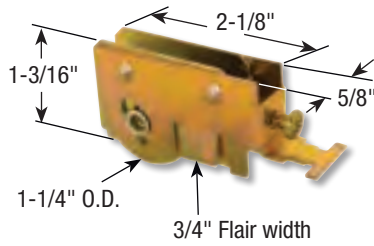


Roller Assembly

- Center groove steel ball bearing roller assembly
- Adjustable steel housing

MP1523 (D 1523 1-1/8")
 Inner pack: 1 Master pack: 10

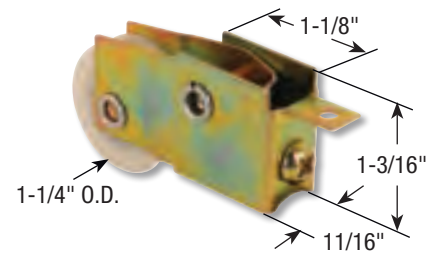
MP1525 (D 1525 1-1/2")
 Inner pack: 1 Master pack: 10



Roller Assembly

- 1-1/4" O.D. center groove ball bearing roller assembly
- Adjustable steel housing
- Fits on International® doors

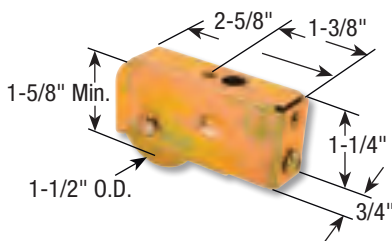
MP1518 (D 1518 steel)
 Inner pack: 1 Master pack: 10



Roller Assembly

- 1-1/4" O.D. center groove nylon ball bearing roller assembly
- Adjustable steel housing
- Fits on Rebco-West® doors

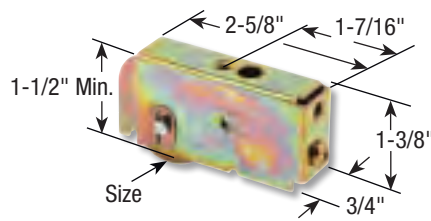
MP1513 (D 1513)
 Inner pack: 1 Master pack: 10



Roller Assembly

- 1-1/2" center groove steel ball bearing roller assembly
- Adjustable steel housing
- Fits on Daryl®, Patio Magic® and other patio door manufacturers

MP1592 (D 1594)
 Inner pack: 1 Master pack: 10

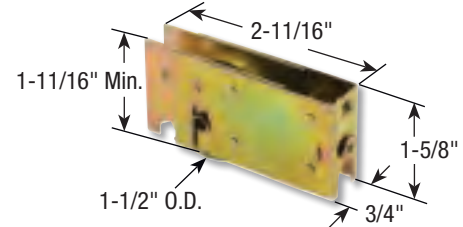


Roller Assembly

- Center groove steel ball bearing roller assembly
- Adjustable steel housing
- Fits on Air Control®, Howmet®, Krestmark® and others

MP1723 (D 1723 steel 1-1/4" O.D.)
 Inner pack: 1 Master pack: 10

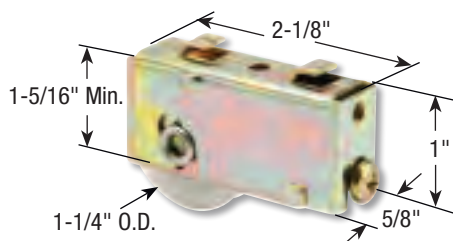
MP1563 (D 1563 nylon 1-1/2" O.D.)
 Inner pack: 1 Master pack: 10



Roller Assembly

- 1-1/2" O.D. center groove steel ball bearing roller assembly
- Adjustable steel housing
- Fits on Keller® and other patio door manufacturers

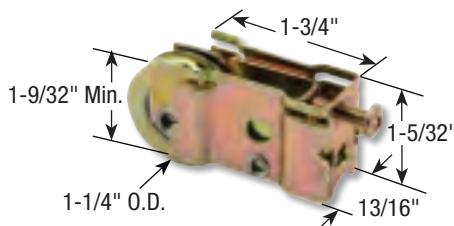
MP1759 (D 1759)
 Inner pack: 1 Master pack: 10



Roller Assembly

- 1-1/4" O.D. center groove nylon ball bearing roller assembly
- Adjustable steel housing
- Fits on Smith Carry® and other patio door manufacturers

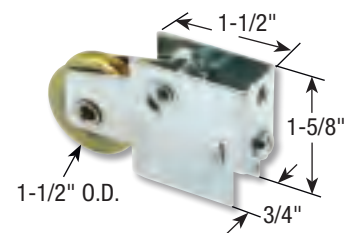
MP1535 (D 1535)
 Inner pack: 1 Master pack: 10



Roller Assembly

- 1-1/4" O.D. center groove steel ball bearing roller assembly
- Adjustable steel housing
- Fits on Acorn® and Wells Aluminum

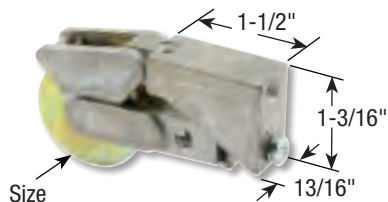
MP1559 (D 1559)
 Inner pack: 1 Master pack: 10



Roller Assembly

- Center groove steel ball bearing roller assembly
- Adjustable steel housing
- Fits on Keller® doors and other patio door manufacturers

MP1562 (D 1562)
 Inner pack: 1 Master pack: 10

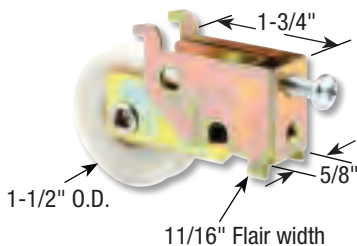


Roller Assembly

- Center groove steel ball bearing roller assembly
- Adjustable diecast housing
- Fits on Fleetwood® and Fullview® patio doors

MP1533 (D 1533 1-1/2" O.D.)
Inner pack: 1 Master pack: 10

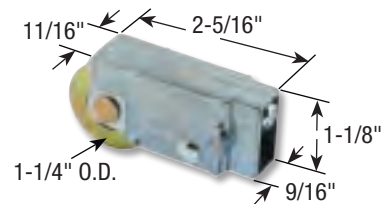
MP1532 (D 1532 1-1/4" O.D.)
Inner pack: 1 Master pack: 10



Roller Assembly

- 1-1/2" center groove nylon ball bearing roller
- Adjustable steel housing
- Fits on Ador Hilite® patio doors

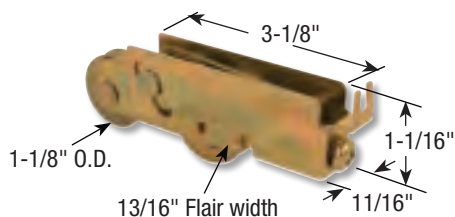
MP1683 (D 1683)
Inner pack: 1 Master pack: 10



Roller Assembly

- 1-1/4" O.D. center groove steel ball bearing roller assembly
- Adjustable diecast housing
- Fits on Crossly® doors and other patio door manufacturers

MP1603 (D 1603)
Inner pack: 1 Master pack: 10



Tandem Roller Assembly

- 1-1/8" O.D. center groove steel ball bearing tandem roller assembly
- Adjustable steel housing
- Fits on Pacific® and other patio door manufacturers

MP1551 (D 1551)
Inner pack: 1 Master pack: 10

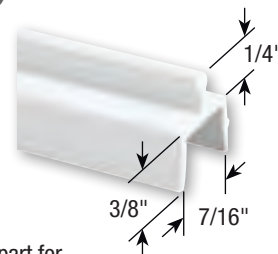


Repair Track

- Used as a repair part for damaged or badly worn tracks
- 96"
- Stainless steel
- Easy to install

MP1579 (D 1579)
Inner pack: 5 Master pack: 1

New Item



Repair Track

- Used as a repair part for damaged or badly worn tracks
- White vinyl
- Easy to install

4189WH-6 (6 feet long)

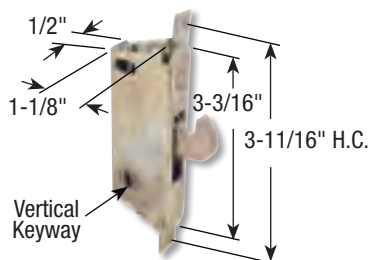
Inner pack: 1

4189WH-8 (8 feet long)

Inner pack: 1

4189WH (16 feet long)

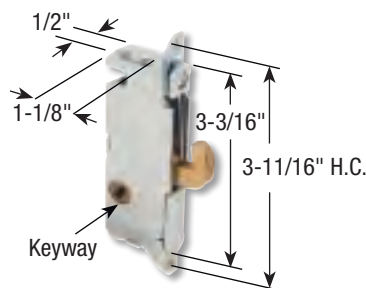
Inner pack: 1



Mortise Lock

- Steel
- Vertical keyway
- Mortise installation
- Round end face plate
- Hook projection is adjustable

MP2009 (E 2009)
Inner pack: 1 Master pack: 10

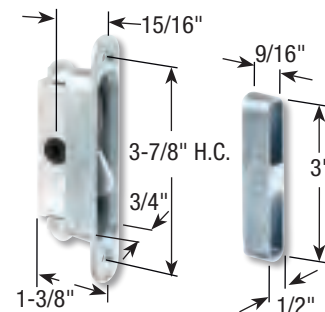


Mortise Lock

- Steel
- Mortise installation
- Round end face plate
- Hook projection is adjustable

MP2013 (E 2013 vertical keyway)
Inner pack: 1 Master pack: 10

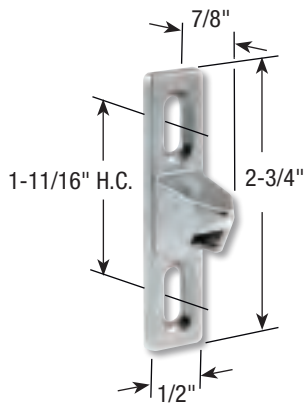
MP2014 (E 2014 45° keyway)
Inner pack: 1 Master pack: 10



Mortise Lock & Keeper

- Wood or aluminum door application
- Integration of keeper and lock for positive anti-lift protection
- Plated steel hook is mounted in an aluminum housing
- Fits on Pennco® and other manufacturers

MP2079 (E 2079)
Inner pack: 1 Master pack: 10

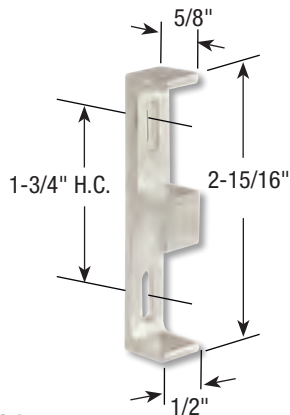


Keeper

- Chrome diecast keeper
- Screw slots allow for vertical adjustment
- Universal application

MP2082 (E 2082)

Inner pack: 2 Master pack: 10

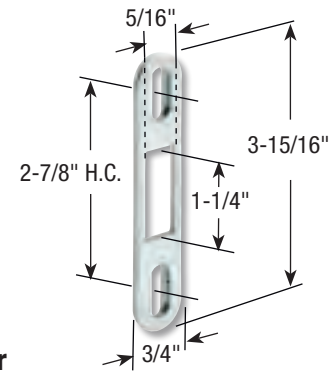


Keeper

- Zinc diecast keeper
- Face mount
- Vertical slots allow for adjustment

MP2094-2 (E 2094)

Inner pack: 2 Master pack: 10

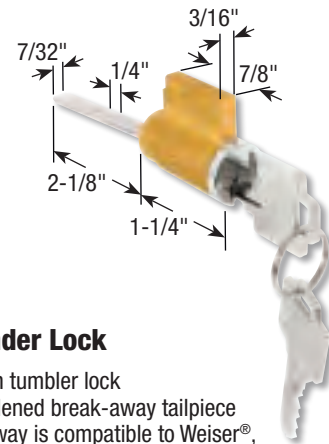


Keeper

- Surface mount
- For hook style latch
- Zinc plated steel
- Can be used as a reinforcing plate for slotted end stiles

MP2097 (E 2097)

Inner pack: 1 Master pack: 10



Cylinder Lock

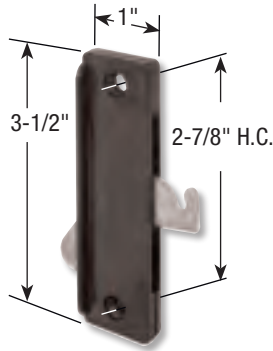
- 5 pin tumbler lock
- Hardened break-away tailpiece
- Keyway is compatible to Weiser®, Kwikset® & Weslock®
- Solid brass cylinder

MP2000 (E 2000)

Inner pack: 1 Master pack: 10

PATIO DOOR Hardware

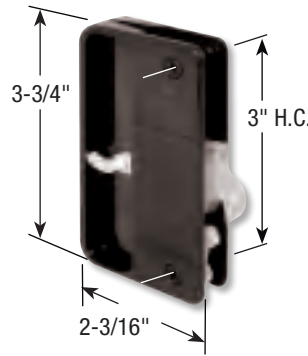
Sliding patio doors are one of the most neglected entry points for most homes. Prime-Line has developed over 1600 repair and maintenance items to ensure these doors function safely and securely. We carry over 350 different patio door handles, and over 550 roller assemblies. We manufacture the largest selection of patio door roller assemblies in the world using top quality, precision ground, sealed bearing assemblies.



Latch & Pull

- Black plastic pull
- Steel lever latch
- Non-handed
- Surface mount
- Fits on Keller® doors

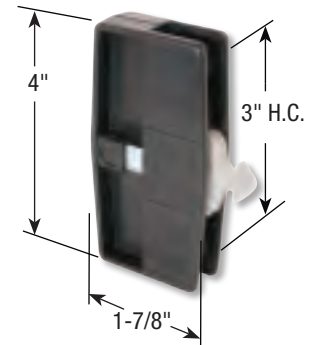
MP122 (A 122)
Inner pack: 1 Master pack: 10



Latch & Pull

- Black plastic pull
- Non-handed
- Complete with security lock
- Fits on Anjac® doors

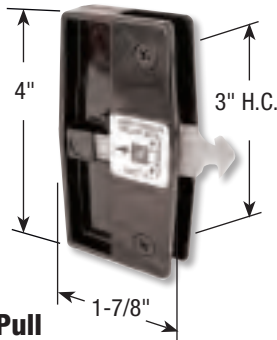
MP108 (A 108)
Inner pack: 1 Master pack: 10



Latch & Pull

- Black plastic pull
- Non-handed
- Complete with security lock
- Mortise installation
- Fits on Columbia® doors

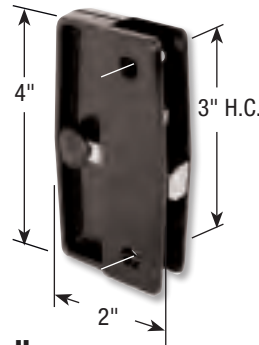
MP109 (A 109)
Inner pack: 1 Master pack: 10



Latch & Pull

- Black plastic pulls
- Non-handed
- Complete with security lock
- Mortise installation
- For 1/2" thick doors
- Fits on Columbia® doors

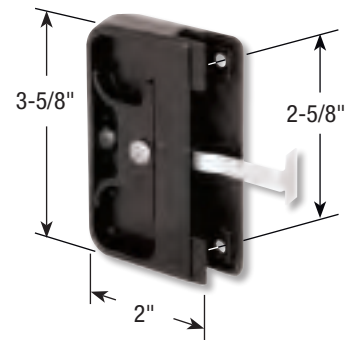
MP165 (A 165)
Inner pack: 1 Master pack: 10



Latch & Pull

- Black plastic pull
- Steel latch
- Non-handed
- Mortise installation
- Fits on Academy®, & Better-Bilt®

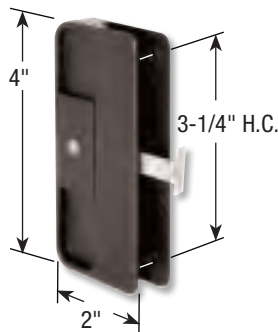
MP139 (A 139)
Inner pack: 1 Master pack: 10



Latch & Pull

- Black plastic pull
- Steel latch
- Non-handed
- Mortise installation

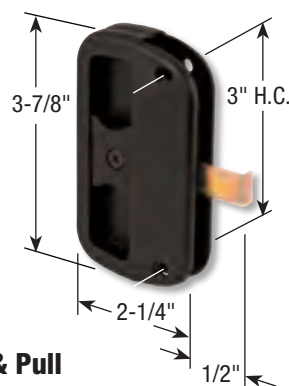
MP142 (A 142)
Inner pack: 1 Master pack: 10



Latch & Pull

- Black plastic pull
- Steel latch
- Non-handed
- Mortise installation
- Fits on Jim Walters®

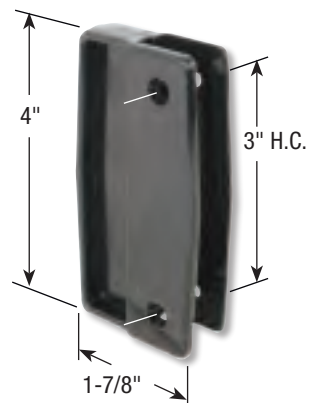
MP150 (A 150)
Inner pack: 1 Master pack: 10



Latch & Pull

- Black plastic pull
- Steel latch
- Non-handed
- Mortise installation
- Used on 1/2" extruded and roll-formed doors

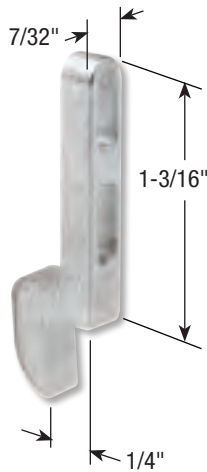
MP186 (A 186)
Inner pack: 1 Master pack: 10



Pull

- Black plastic pull
- Non-handed
- Surface mount

MP111 (A 111)
Inner pack: 2 Master pack: 10



Latch Strike

- Diecast
- Adjustable

MP127 (A 127)

Inner pack: 5 Master pack: 10

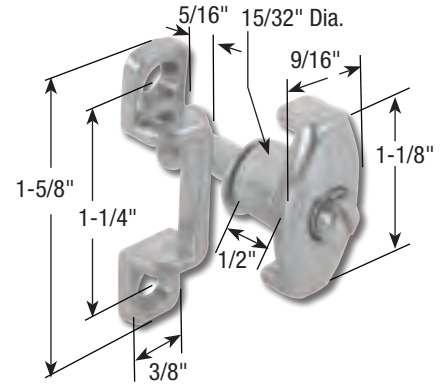


Latch Strike

- Stamped steel
- Adjustable

MP148 (A 148)

Inner pack: 5 Master pack: 10

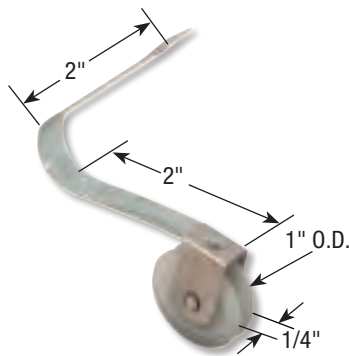


Latch Kit

- Zinc plated diecast latch and strike
- Non-handed
- Surface mount

MP164 (A 164)

Inner pack: 1 Master pack: 10

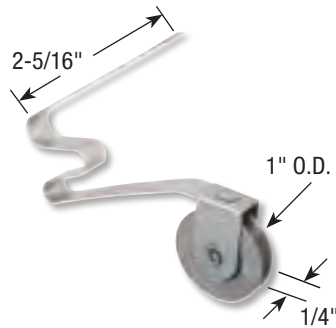


Spring Tension Roller

- Center groove wheel
- Heat treated, high tension steel spring

MP570 (B 570 nylon)

Inner pack: 2 Master pack: 10



Spring Tension Roller

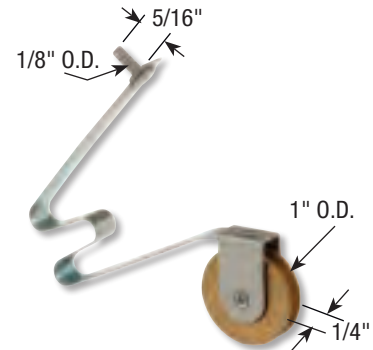
- Adjustable
- Center groove wheel
- Heat treated, high tension steel spring

MP512 (B 512 nylon)

Inner pack: 2 Master pack: 10

MP513 (B 513 steel ball bearing)

Inner pack: 2 Master pack: 10

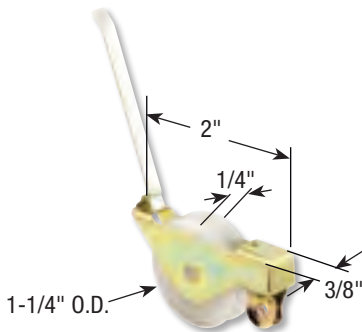


Spring Tension Roller

- Adjustable
- Center groove steel ball bearing wheel
- Heat treated, high tension steel spring
- 1/8" locator pin holds roller in fixed position

MP644 (B 644)

Inner pack: 2 Master pack: 10

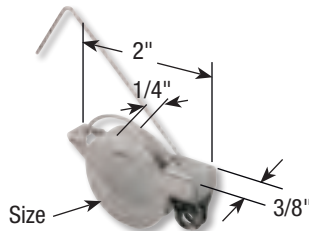


Spring Tension Roller

- Center groove nylon wheel
- Steel housing
- Heat treated, high tension steel flat spring
- Used as top and bottom roller

MP636 (B 636)

Inner pack: 2 Master pack: 10



Spring Tension Roller

- Center groove wheel
- Used as a top and bottom roller

MP541 (B 541 nylon 1")

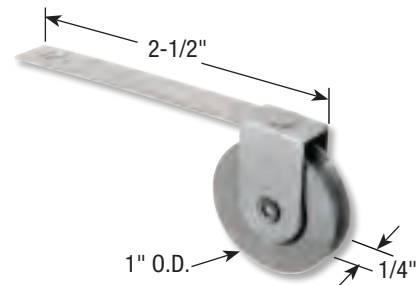
Inner pack: 2 Master pack: 10

MP610 (B 610 steel ball bearing 1")

Inner pack: 2 Master pack: 10

MP515 (B 515 nylon 1-1/4")

Inner pack: 2 Master pack: 10

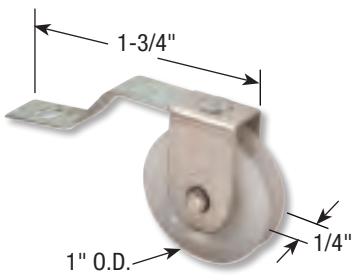


Spring Tension Roller

- Center groove steel ball bearing wheel
- Heat treated, high tension steel spring

MP522 (B 522)

Inner pack: 2 Master pack: 10

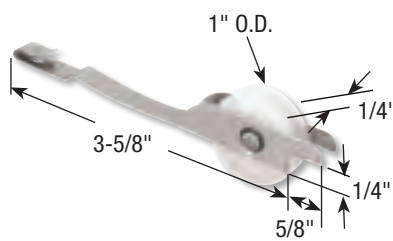


Spring Tension Roller

- Center groove wheel
- Heat treated, high tension steel spring

MP638 (B 638 nylon)
Inner pack: 2 Master pack: 10

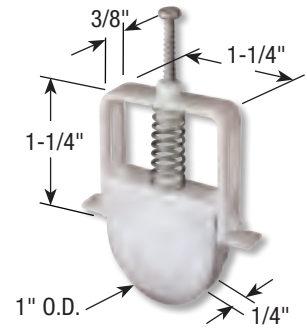
MP639 (B 639 steel ball bearing)
Inner pack: 2 Master pack: 10



Spring Tension Roller

- Center groove wheel
- Steel housing
- High tension steel spring
- Fits on Columbia Uni-fit® doors

MP704 (B 704 steel ball bearing)
Inner pack: 2 Master pack: 10

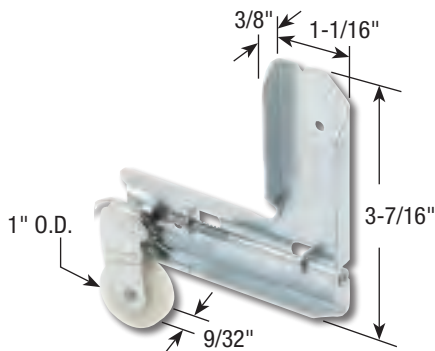


Roller Assembly

- Nylon main frame assembly
- Nylon inner housing with center groove wheel

MP575 (B 575 nylon)
Inner pack: 2 Master pack: 10

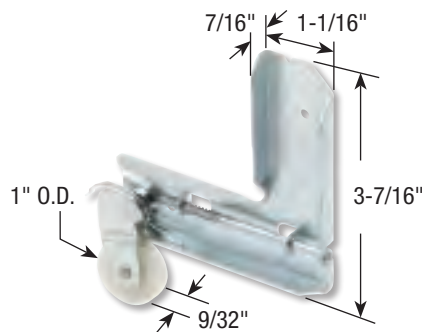
MP631 (B 631 steel ball bearing)
Inner pack: 2 Master pack: 10



Corner Insert

- Stamped aluminum corner
- Center groove nylon wheel
- Adjusting screw
- Fits on doors by Jim Walters®

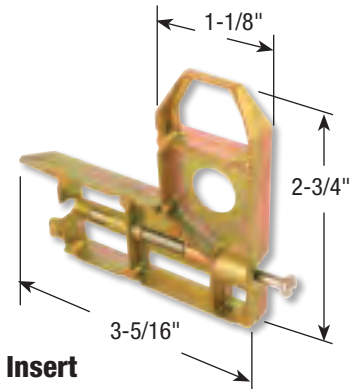
MP604 (B 604)
Inner pack: 2 Master pack: 10



Corner Insert

- Stamped steel corner housing
- Center groove nylon wheel
- Spring activated
- Adjusting screw
- Fits on doors by Metal Industries®

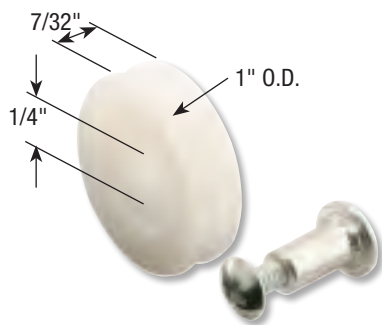
MP607 (B 607)
Inner pack: 2 Master pack: 10



Corner Insert

- Diecast corner
- Adjusting screw
- For 45° miter cut door design
- Fits 30 0141 style rollers

MP569 (B 569)
Inner pack: 2 Master pack: 10



Roller

- Narrow center groove nylon wheel
- 8-32 x 3/8" machine screw with binder post nut
- Fits on Air Control® doors

MP551 (B 551)
Inner pack: 2 Master pack: 10



Become a Distributor

» Visit our website or call...

primeline.net

1.800.899.7799

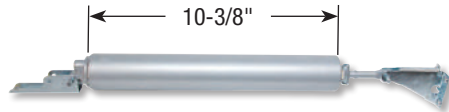


Pneumatic Door Closer

- For outswinging wood or metal doors
- Full 90° opening
- Adjustable closing speed
- For medium weight doors

MP5067 (K 5067 aluminum finish)
Inner pack: 1 Master pack: 10

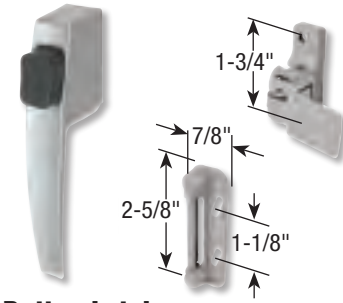
MP5073 (K 5073 black finish)
Inner pack: 1 Master pack: 5



Pneumatic Door Closer

- For outswinging wood or metal doors
- Full 90° opening
- Adjustable closing speed
- For heavy weight doors

MP5108 (K 5108 aluminum finish)
Inner pack: 1 Master pack: 10

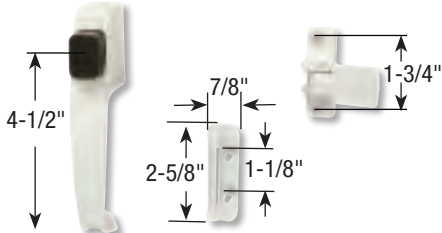


Push Button Latch

- For outswinging wood or metal doors
- Fits 5/8" to 1-1/4" thick doors
- 1-3/4" installation hole spacing
- 9/16" backset from door stop
- Inside locks for security

MP5006 (K 5006 aluminum finish)
Inner pack: 1 Master pack: 5

MP5007 (K 5007 black finish)
Inner pack: 1 Master pack: 5



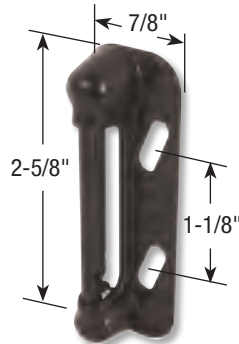
Push Button Latch

- For outswinging wood or metal doors
- Fits 5/8" to 1-1/4" thick doors
- 9/16" backset from door stop
- Tie-down screw at bottom of handle
- Inside locks for security

MP5070 (K 5070 aluminum finish)
Inner pack: 1 Master pack: 5

MP5071 (K 5071 black finish)
Inner pack: 1 Master pack: 5

MP5116 (K 5116 White finish)
Inner pack: 1 Master pack: 5



Latch Strike

- Fits all resilient strike latches
- Includes two 1/16" plastic shims for installation height adjustment
- Durable, painted finish
- Angled mounting slots for lateral adjustment

MP5004 (K 5004 black finish)
Inner pack: 2 Master pack: 10



Chain Door Stop

- Helps prevent wind damage to doors
- All mounting brackets and hardware included
- Hold-up spring helps prevent damage to door surfaces

MP5026 (K 5026 zinc)
Inner pack: 1 Master pack: 10

New Item

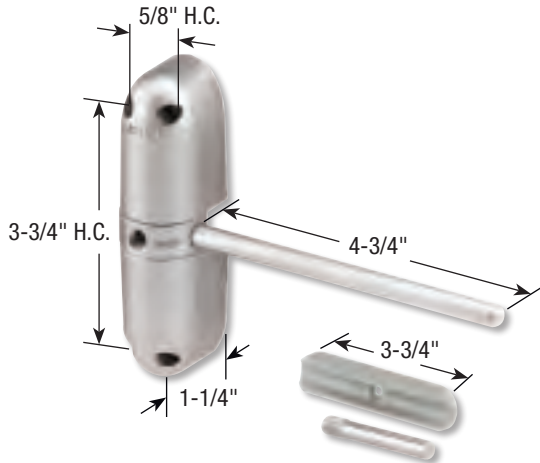
Hydraulic Gate & Door Closer

- Complies with pool/gate legislation
- Designed for both steel or wooden gates & doors
- Use on right or left-hand doors and gates
- Easily adjustable closing speed
- Silent operation
- Easy installation

RG 18704 (black finish)
Inner pack: 1 Master pack: 8



New Item

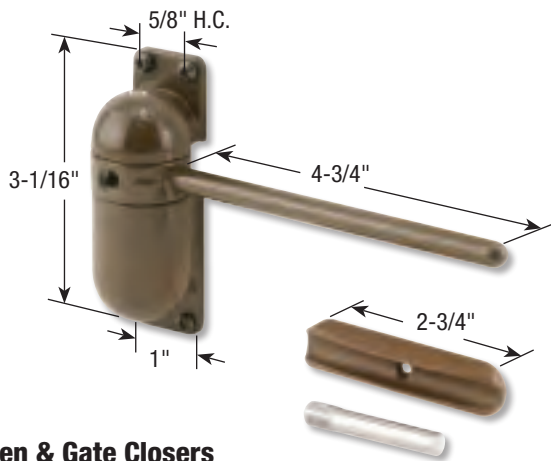


Spring Door Closer

- Neat, compact and durable
- U.L. Listed and meets Canadian Nat'l Standard
- Included in 1/2 hour fire door test to BS476 Part 22 - 1987
- Suitable for use with doors up to 150 lbs. (68 kg)
- Available in polished brass, satin chrome, chrome, white, black and brown finish
- Suitable for right or left-handed doors
- Maintenance-free
- Die-cast zinc alloy body incorporates two torsion springs
- Adjustable pressure exerts a variable closing force on doors
- For interior use only

		Finish	Packaging
KC67US	Inner pack: 1 Master pack: 6	Chrome	Clam
KC60HD	Inner pack: 1 Master pack: 6	Satin Chrome	Clam
KC61US	Inner pack: 1 Master pack: 10	Satin Chrome	Box
KC10HD	Inner pack: 1 Master pack: 6	White	Clam
KC11US	Inner pack: 1 Master pack: 10	White	Box
KC17HD	Inner pack: 1 Master pack: 6	Brown	Clam
KC18US	Inner pack: 1 Master pack: 10	Brown	Box
KC16HD	Inner pack: 1 Master pack: 6	Black	Clam

New Item

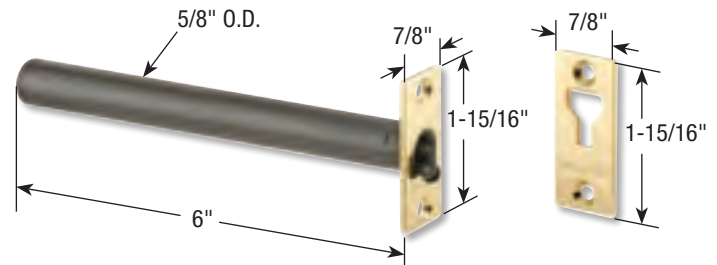


Screen & Gate Closers

- Neat, compact and durable
- Die-cast zinc housing
- Fully rust and weather resistant
- Suitable for exterior use
- Ideal for swinging screen doors and pool gates up to 57 lbs. (26 kg)
- Available in white or brown
- Utilizes a single torsion spring

	Finish	Packaging
KC50HD	White	Clam
Inner pack: 1 Master pack: 6		
KC57US	Brown	Clam
Inner pack: 1 Master pack: 6		

New Item



Spring Action Concealed Door Closers

- Vandal resistant, unobtrusive and cost effective
- 5/8" (16 mm) diameter barrel accommodates narrow doors
- U.L. Listed and meets Canadian Nat'l Standard
- Included in 1/2 hour fire door test to BS476 Part 22 - 1987
- Suitable for use with doors up to 150 lbs. (68 kg) with maximum opening angle of 100°
- Black powder coated barrel with brass fitting plates

		Finish	Packaging
KC30US	Inner pack: 1 Master pack: 6	Black/Polished Brass	Clam
KC31US	Inner pack: 1 Master pack: 10	Black/Polished Brass	Box
KC32HD	Inner pack: 1 Master pack: 6	Black/Chrome	Clam



Sliding Door Track & Hardware Kit

- Galvanized steel track
- Plated steel hangers
- Adjustable bottom guide (steel base with nylon tips)
- Brass plated steel pulls
- Use with wood door panels 3/4" to 1-3/8" thick
- For use on doors weighing up to 60 lbs. each

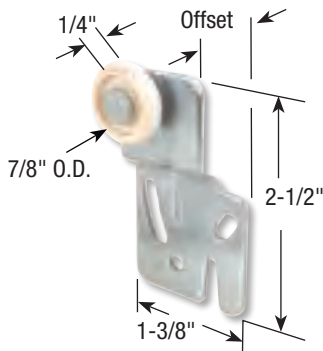
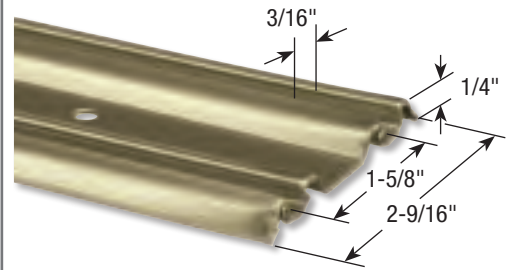
161791 (N 6883 - 48")
Inner pack: 1 Master pack: 6

161792 (N 6884 - 60")
Inner pack: 1 Master pack: 6

161793 (N 6885 - 72")
Inner pack: 1 Master pack: 6

161850 (N 6886 - 96")
Inner pack: 1 Master pack: 6

New Item

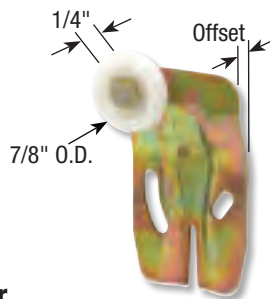


Roller

- Top hung, side mounting
- Offset adjustable steel bracket
- Round edge nylon wheel
- Fits 3/4" to 1-3/8" thick doors

MP6500 (N 6500 front - 1/4" offset)
Inner pack: 2 Master pack: 10

MP6501 (N 6501 back - 1/2" offset)
Inner pack: 2 Master pack: 10



Roller

- Top hung, side mounting
- Offset adjustable steel bracket
- Round edge nylon wheel
- Fits 3/4" to 1-3/8" thick doors

MP6504 (N 6504 front - 1/4" offset)
Inner pack: 2 Master pack: 10

MP6505 (N 6505 back - 1/2" offset)
Inner pack: 2 Master pack: 10

Bi-Pass Bottom Closet Track

- Mirrored wardrobe door bottom track
- Replaces most existing convex roller systems
- Roll form steel construction
- Enamel coated on both sides
- Can be cut to size

N 6875 (satin nickel - 48")
Inner pack: 1 Master pack: 1

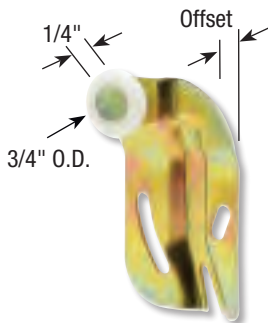
N 6876 (satin nickel - 60")
Inner pack: 1 Master pack: 1

N 6877 (satin nickel - 72")
Inner pack: 1 Master pack: 1

N 6879 (champagne gold - 48")
Inner pack: 1 Master pack: 1

N 6880 (champagne gold - 60")
Inner pack: 1 Master pack: 1

N 6881 (champagne gold - 72")
Inner pack: 1 Master pack: 1

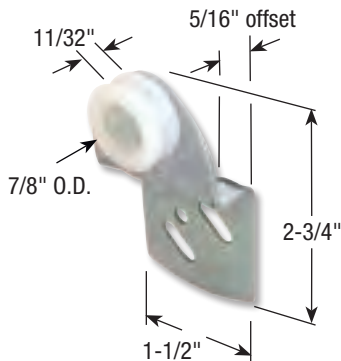


Roller

- Top hung, side mounting
- Offset adjustable steel bracket
- Round edge nylon wheel
- Fits 3/4" to 1-3/8" thick doors

MP6508 (N 6508 front - 1/4" offset)
Inner pack: 2 Master pack: 10

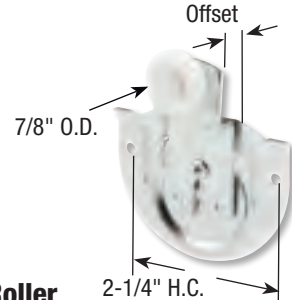
MP6509 (N 6509 back - 1/2" offset)
Inner pack: 2 Master pack: 10



Roller

- Top hung
- Offset adjustable steel bracket
- Center groove nylon wheel
- Used on old style Kenna Frame®

MP6717 (N 6717 front)
Inner pack: 2 Master pack: 10

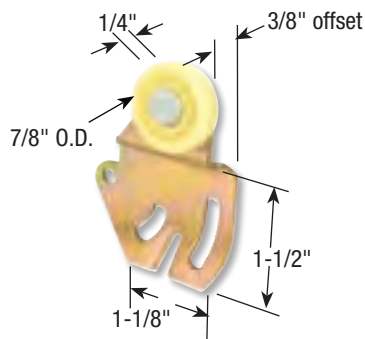


Roller

- Top hung
- Offset adjustable stamped steel bracket with nylon adjusting wheel
- Round edge nylon wheel
- For 3/4" to 1-3/8" thick doors

MP6648 (N 6648 front - 1/8" offset)
Inner pack: 2 Master pack: 10

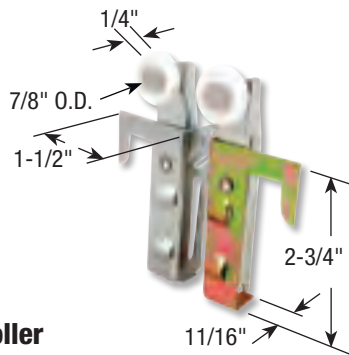
MP6649 (N 6649 back - 3/8" offset)
Inner pack: 2 Master pack: 10



Roller

- Top hung, side mounting
- Offset adjustable steel bracket
- Flat edge nylon wheel
- Fits 3/4" or 1-3/8" thick doors

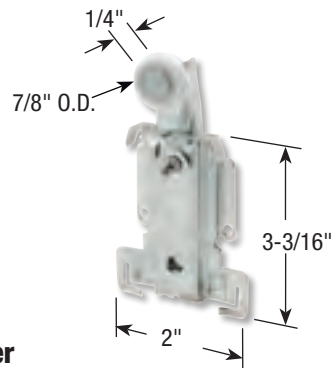
MP6841 (N 6841 back)
 Inner pack: 2 Master pack: 10



Roller

- Top mounting
- Adjustable steel bracket
- Left & right handed bracket
- Also acts as corner bracket for steel frame bi-passing doors
- Round edge nylon wheel

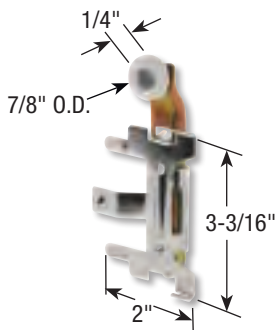
MP6548 (N 6548)
 Inner pack: 1 Master pack: 10



Roller

- Top mounting
- Adjustable steel bracket
- Also acts as corner bracket for steel frame bi-passing doors
- Round edge nylon wheel
- Fits on Acme®

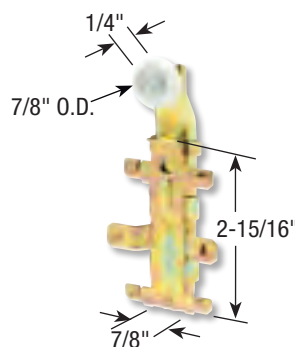
MP6550 (N 6550)
 Inner pack: 2 Master pack: 10



Roller

- Side mounting
- Adjustable snap-in steel bracket
- Round edge nylon wheel
- Designed for steel frame bi-passing doors
- Fits on Cox®

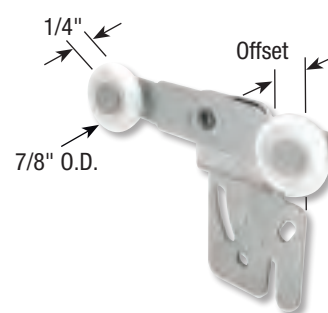
MP6552 (N 6552)
 Inner pack: 1 Master pack: 10



Roller

- Top mounting
- Adjustable steel bracket
- Round edge nylon wheel
- Designed for steel frame bi-passing doors
- Fits on Cox®

MP6602 (N 6602)
 Inner pack: 2 Master pack: 10

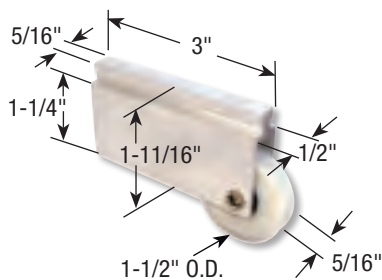


Roller

- Top hung, side mounting
- Offset adjustable steel bracket
- Round edge tandem nylon wheels
- Fits 3/4" to 1-3/8" thick door

MP6502 (N 6502 front - 1/4" offset)
 Inner pack: 2 Master pack: 10

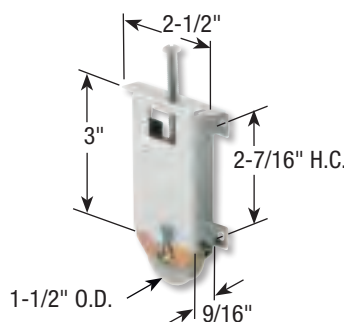
MP6503 (N 6503 back - 1/2" offset)
 Inner pack: 2 Master pack: 10



Roller

- Adjustable aluminum housing bracket
- Bracket has "T" shaped extruded boss
- Nylon ball bearing wheel
- Fits on Contractors Mirror Door Company®

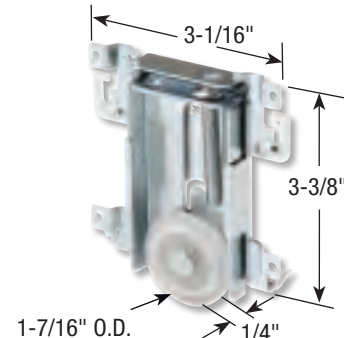
MP6598 (N 6598)
 Inner pack: 2 Master pack: 10



Mirror Door Roller

- Steel housing with adjustment screw
- Concave nylon ball bearing wheel
- Fits on Monarch Mirror Doors® "L" series steel frame door

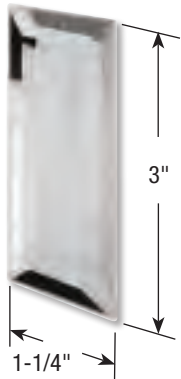
MP6630 (N 6630)
 Inner pack: 2 Master pack: 10



Mirror Door Bottom Roller

- Adjustable steel housing
- Snap-in bracket for steel framed doors
- Flat edge nylon wheel

MP6790-2 (N 6790)
 Inner pack: 2 Master pack: 10

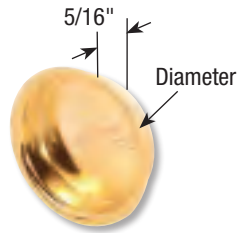


Pull

- Beveled mirrored glass pull
- Pressure sensitive adhesive backing

MP6942 (N 6942)

Inner pack: 2 Master pack: 10



Pull

- Plated steel
- Held in place by 2 nails

MP6698 (N 6698 brass finish - 2")

Inner pack: 5 Master pack: 10

MP6699 (N 6699 brass plated finish - 2-1/8")

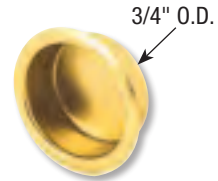
Inner pack: 5 Master pack: 10

MP7209 (N 7209 satin nickel finish - 2-1/8")

Inner pack: 5 Master pack: 10

MP6869 (N 6869 chrome finish - 2-1/8")

Inner pack: 5 Master pack: 10

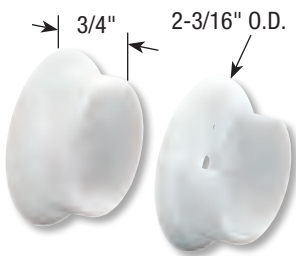


Pull

- Plated steel
- Fits a 3/4" diameter hole
- Universal design

MP6846-5 (N 6846)

Inner pack: 5 Master pack: 10

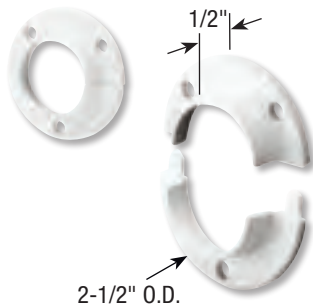


Pole Socket Set

- Plastic
- Accept a 1-3/8" standard pole
- Universal design

MP6568 (N 6568)

Inner pack: 10 Master pack: 10

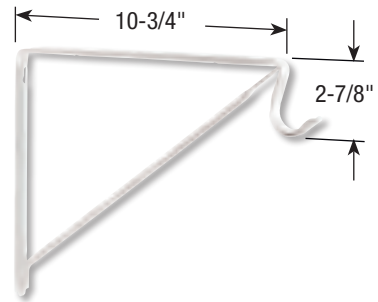


4 Piece Pole Socket Set

- White painted diecast zinc
- Unique 2 piece design
- Accept a 1-3/8" standard pole

MP7050 (N 7050)

Inner pack: 1 Master pack: 10



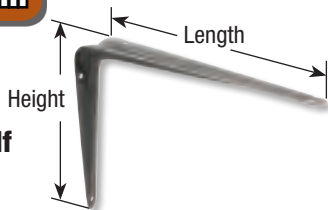
Shelf Support Bracket

- White Finish
- 12" Projection
- Accepts up to 1-3/8" diameter pole

MP7048 (N 7048)

Inner pack: 1 Master pack: 10

New Item



Utility Shelf Support

- Steel
- Enamel finish

MP11411 (Z 11411 - 5" high x 6" long, gray)

Inner pack: 2 Master pack: 10

MP11285 (Z 11285 - 8" high x 10" long, gray)

Inner pack: 2 Master pack: 10

MP11287 (Z 11287 - 10" high x 12" long, gray)

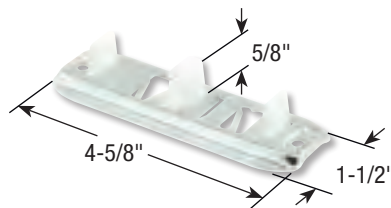
Inner pack: 2 Master pack: 10

MP11415 (Z 11415 - 12" high x 14" long, gray)

Inner pack: 2 Master pack: 10

MP11413 (Z 11413 - 6" high x 8" long, white)

Inner pack: 2 Master pack: 10

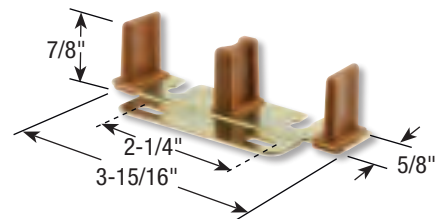


Guide

- Steel base with nylon tips
- Adjustable bottom bracket
- Fits 3/4" to 1-3/8" thick bi-passing doors
- Fits on Acme® and others

MP6560-4 (N 6560)

Inner pack: 4 Master pack: 10

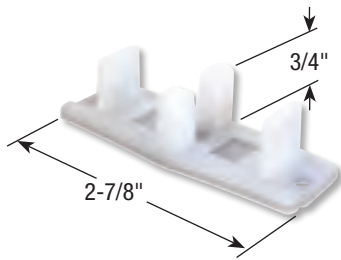


Guide

- Steel base with nylon guide tips
- Adjustable for either 3/4" or 1-3/8" thick doors
- Fits on Johnson Hardware®

MP6796 (N 6796)

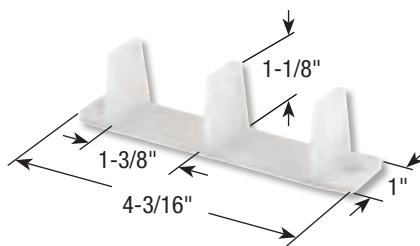
Inner pack: 1 Master pack: 10



Guide

- Nylon guide pins
- Adjustable, nylon bottom mount bracket
- Fits 3/4" to 1-3/8" thick bi-passing doors

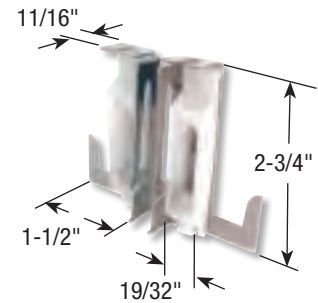
MP6562 (N 6562)
 Inner pack: 4 Master pack: 10



Guide

- Nylon
- For 1-3/8" thick bi-passing doors

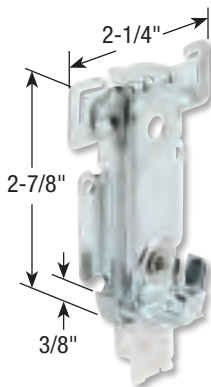
MP6563-4 (N 6563)
 Inner pack: 4 Master pack: 10



Guide

- Bottom mount
- Adjustable steel bracket with nylon guide
- Also acts as corner bracket for steel frame bi-passing doors
- Fits on Acme®

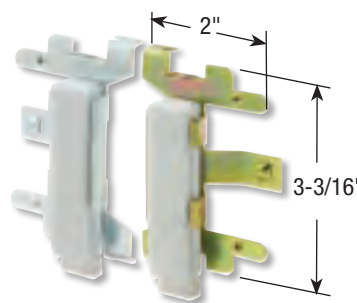
MP6549 (N 6549)
 Inner pack: 1 Master pack: 10



Guide

- Bottom mount
- Adjustable steel bracket with nylon guide
- Also acts as corner bracket for steel frame bi-passing doors
- Fits Acme®

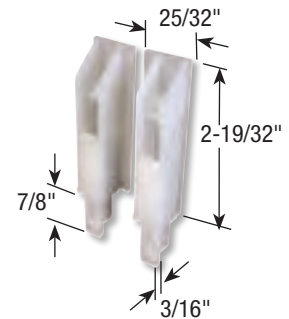
MP6551 (N 6551)
 Inner pack: 2 Master pack: 10



Guide

- Bottom mount
- Snap-in steel bracket with nylon guide
- Left & right hand assemblies
- For steel frame bi-passing doors
- Fits on Cox®

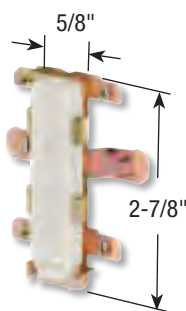
MP6553 (N 6553)
 Inner pack: 1 Master pack: 10



Guide

- Nylon
- Spring loaded bracket and guide
- Side mount
- Left & right hand assemblies

MP6559 (N 6559)
 Inner pack: 1 Master pack: 10



Guide

- Bottom mount
- Snap-in steel bracket with nylon guide
- Designed for steel frame bi-passing doors
- Fits on Cox®

MP6603 (N 6603)
 Inner pack: 2 Master pack: 10



Guide

- Bottom mount
- Nylon guide for steel bi-passing doors
- Repair part for no. 40 9110

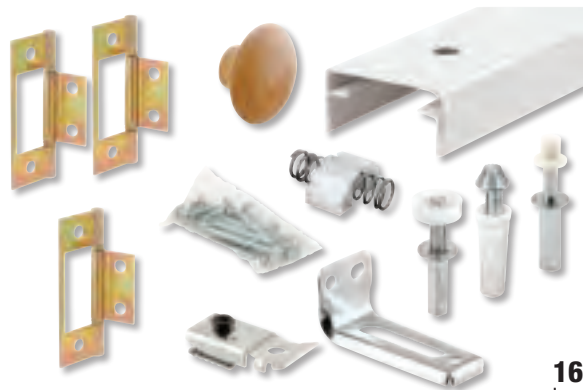
MP6555 (N 6555)
 Inner pack: 2 Master pack: 10



Guide

- White plastic
- Replacement guides for part no. 40 9970

MP6775 (N 6775)
 Inner pack: 2 Master pack: 10



Bi-fold Door Track & Hardware Kit

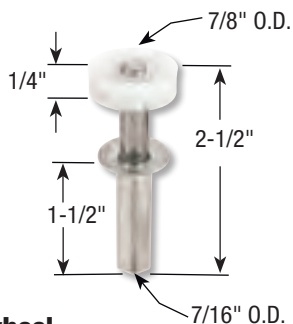
- Painted steel track
- Steel top pivot brackets are pre-installed to track
- Steel bottom pivot brackets
- Brass plated steel hinges
- Roller guides and pivots have a 7/16" diameter nylon base with steel pins
- Steel spring snuggler with plastic retainer sleeve
- Zinc plated steel aligners
- Unfinished wood knobs
- Use with wood door panels 1" to 1-3/8" thick; for use on doors weighing up to 30 lbs. each

161794 (N 6958 - 36")
Inner pack: 1 Master pack: 6

161795 (N 6959 - 48")
Inner pack: 1 Master pack: 6

161796 (N 6960 - 60")
Inner pack: 1 Master pack: 6

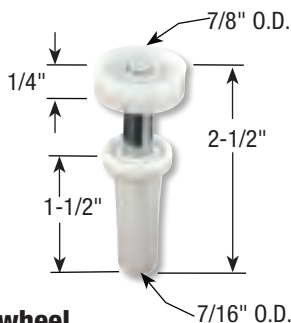
161797 (N 6961 - 72")
Inner pack: 1 Master pack: 6



Guide wheel

- Spring loaded steel base
- Nylon wheel
- Top mount
- Self-adjusting
- Fits 1" to 1-3/8" thick bi-fold doors up to 30 lbs. each

MP6544 (N 6544)
Inner pack: 2 Master pack: 10



Guide wheel

- Spring loaded nylon base
- Nylon wheel
- Top mount
- Self-adjusting
- Fits 1" to 1-3/8" thick bi-fold doors up to 30 lbs. each

MP6582 (N 6582)
Inner pack: 2 Master pack: 10



Guide wheel

- Spring loaded nylon base
- Nylon wheel
- Top mount
- Self-adjusting
- Fits on Kenna Frame® and others

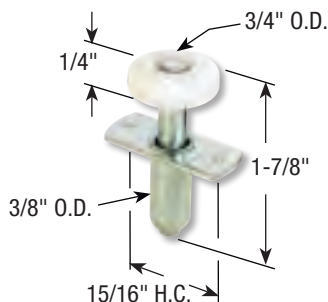
MP6703 (N 6703)
Inner pack: 2 Master pack: 10



Guide wheel

- Spring loaded nylon base
- Nylon wheel
- Top mount
- Self-adjusting

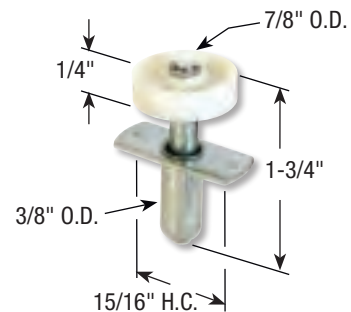
MP6704 (N 6704)
Inner pack: 2 Master pack: 10



Guide wheel

- Spring loaded steel base
- Nylon wheel
- Top mount
- Self-adjusting
- Fits 1" to 1-3/8" thick bi-fold doors up to 30 lbs. each

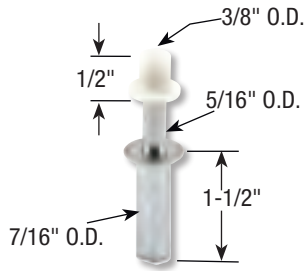
MP6611 (N 6611)
Inner pack: 2 Master pack: 10



Guide wheel

- Spring loaded steel base
- Nylon wheel
- Top mount
- Self-adjusting
- Fits 1" to 1-3/8" thick bi-fold doors up to 30 lbs. each

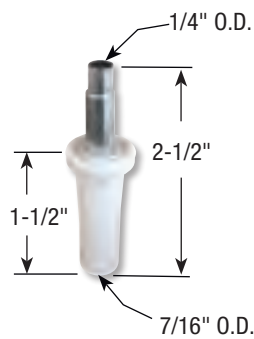
MP6614 (N 6614)
Inner pack: 2 Master pack: 10



Pivot

- Spring loaded steel base
- Nylon guide cap
- Top mount
- Fits 1" to 1-3/8" thick bi-fold doors up to 50 lbs. each

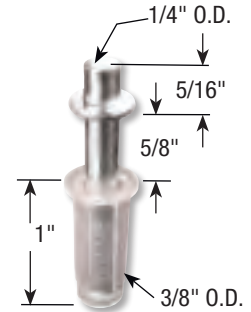
MP6545 (N 6545)
 Inner pack: 2 Master pack: 10



Pivot

- Spring loaded nylon base
- Nylon guide cap
- Top mount
- Fits 1" to 1-3/8" thick bi-fold doors up to 30 lbs. each

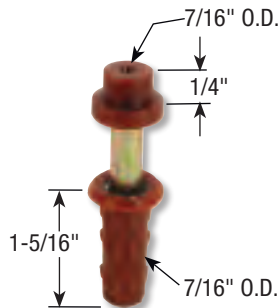
MP6583 (N 6583)
 Inner pack: 2 Master pack: 10



Pivot

- Spring loaded nylon base
- Nylon wheel
- Top mount
- Self-adjusting

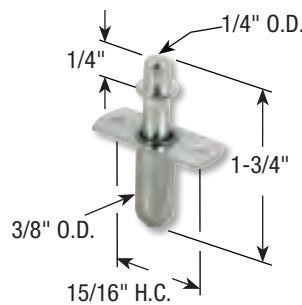
MP6700 (N 6700)
 Inner pack: 2 Master pack: 10



Pivot

- Spring loaded nylon base
- Nylon cap
- Top mount
- Fits on Johnson® and others

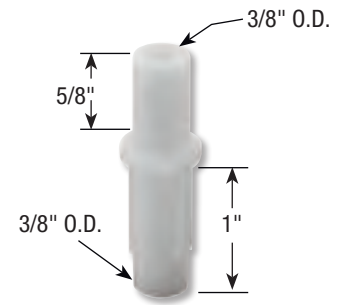
MP6701 (N 6701)
 Inner pack: 2 Master pack: 10



Pivot

- Spring loaded steel pivot
- Top mount

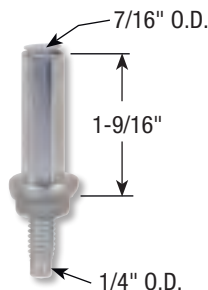
MP6612 (N 6612)
 Inner pack: 2 Master pack: 10



Pivot

- Nylon
- Top mount

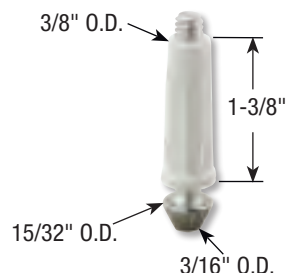
MP6672-4 (N 6672)
 Inner pack: 4 Master pack: 10



Pivot

- Steel pivot with hex head bolt
- Bottom mount
- Vertical adjustment
- Fits 1" to 1-3/8" thick bi-fold doors up to 50 lbs. each

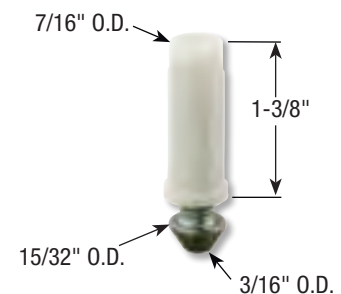
MP6546 (N 6546)
 Inner pack: 2 Master pack: 10



Pivot

- Steel pivot with nylon base
- Bottom mount
- Vertical adjustment
- Grooved tip fits no. 40 9926 pivot bracket

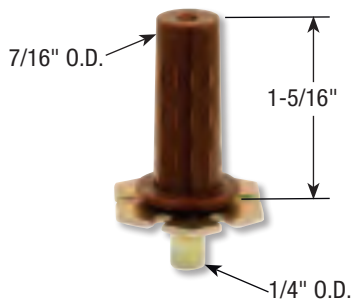
MP6673-4 (N 6673)
 Inner pack: 4 Master pack: 10



Pivot

- Steel pivot with nylon base
- Bottom mount
- Vertical adjustment
- Grooved tip fits no. 40 9952 pivot bracket

MP6696 (N 6696)
 Inner pack: 2 Master pack: 10

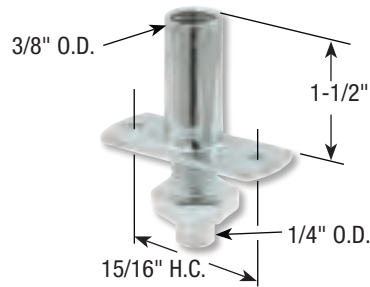


Pivot

- Steel pivot with nylon base
- Bottom mount
- Vertical adjustment
- Fits Johnson® and others

MP6707 (N 6707)

Inner pack: 2 Master pack: 10

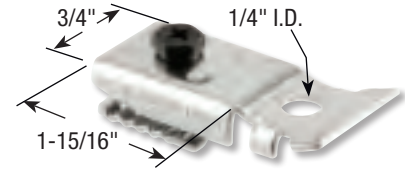


Pivot

- Steel pivot with hex head bolt
- Bottom mount
- Vertical adjustment
- Fits 1" to 1-3/8" thick bi-fold doors up to 30 lbs. each

MP6613 (N 6613)

Inner pack: 2 Master pack: 10

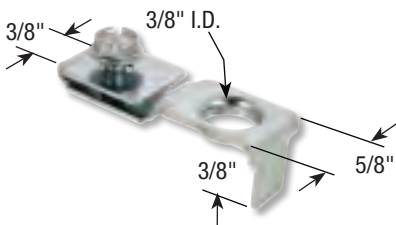


Pivot Bracket

- Steel
- Mounts into top track
- Adjustable
- Used on Acme® "2900" series

MP6606 (N 6606)

Inner pack: 2 Master pack: 10

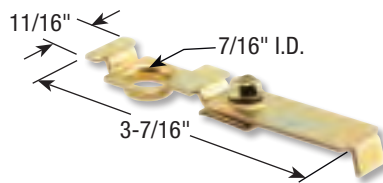


Pivot Bracket

- Stamped steel
- Mounts into top or bottom track
- Adjustable
- Fits on Slimfold® and others

MP6640-4 (N 6640)

Inner pack: 4 Master pack: 10

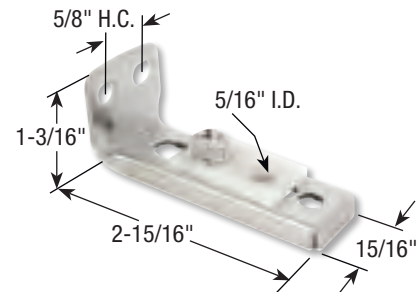


Pivot Bracket

- Stamped steel
- Mounts into top track
- For wood folding panel doors
- Used on Johnson Hardware® series "1800" and "1825" door systems

MP6844-4 (N 6844)

Inner pack: 4 Master pack: 10

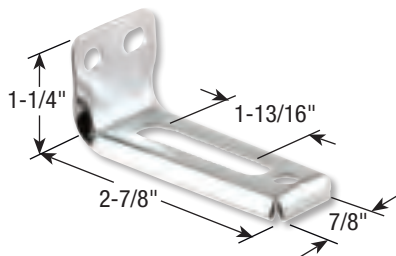


Pivot Bracket

- Stamped steel
- Adjustable
- Floor/jamb mounting
- For 1" to 1-3/8" thick folding doors up to 50 lbs

MP6543 (N 6543)

Inner pack: 2 Master pack: 10

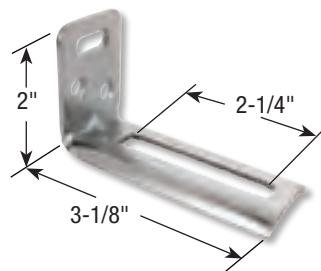


Pivot Bracket

- Stamped steel
- Adjustable
- Floor/jamb mounting
- For 1" to 1-3/8" thick folding doors up to 30 lbs

MP6674 (N 6674)

Inner pack: 2 Master pack: 10

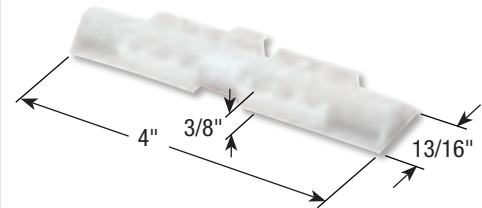


Pivot Bracket

- Stamped steel
- Adjustable
- Floor/jamb mounting
- Heavy duty

MP6697 (N 6697)

Inner pack: 2 Master pack: 10

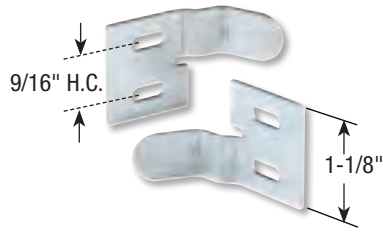


Slide Guide

- Steel springs with nylon retainer
- Top mount
- Two-way spring snigger
- Fits 1" to 1-3/8" thick bi-fold doors when opening or closing

MP6539 (N 6539)

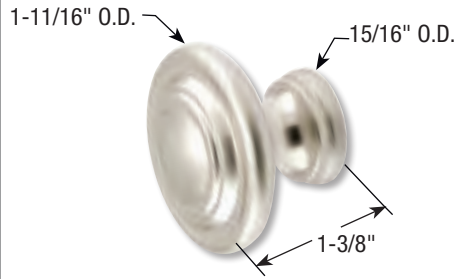
Inner pack: 2 Master pack: 10



Surface Aligner

- Zinc plated steel
- Mounts to back of lead doors to keep them tightly closed
- For 4 door systems

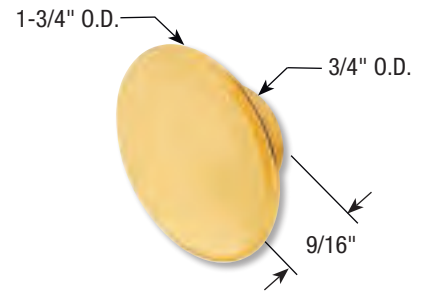
MP6538 (N 6538)
 Inner pack: 4 Master pack: 10



Knob

- Wide base prevents hollow door crush
- Large diameter allows for easy gripping

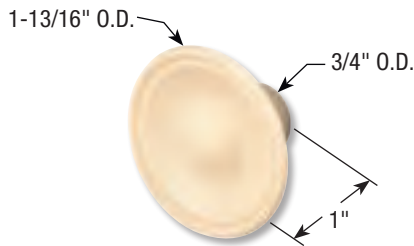
MP7372 (N 7372 satin nickel)
 Inner pack: 2 Master pack: 10



Knob

- Brass plated stamped steel
- Used on wood bi-fold door panels

MP6755 (N 6755)
 Inner pack: 5 Master pack: 10

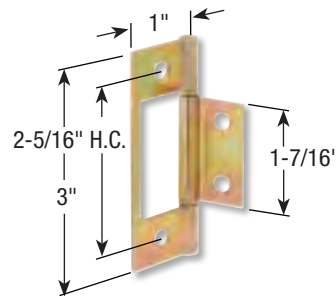


Knob

- Plastic
- Used on hollow core or solid wood bi-fold door panels

MP6754-5 (N 6754 ivory)
 Inner pack: 5 Master pack: 10

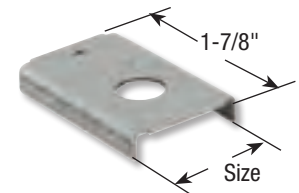
MP6871 (N 6871 dark brown)
 Inner pack: 10 Master pack: 10



Hinge

- Plated steel
- Cut out to allow for non-mortise installation

MP6656-2 (N 6656 brass)
 Inner pack: 2 Master pack: 10

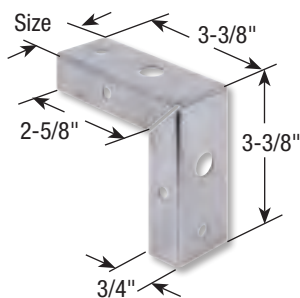


Repair Bracket

- Diecast
- For splitting bi-fold doors
- Top mount

MP7191 (N 7191 1-1/8")
 Inner pack: 4 Master pack: 10

MP7192 (N 7192 1-3/8")
 Inner pack: 4 Master pack: 10

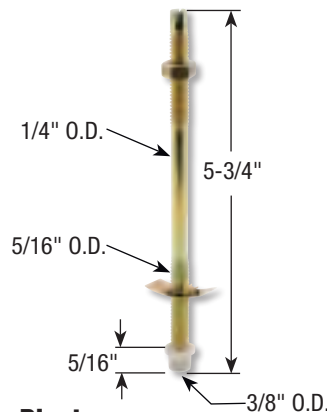


Repair Bracket

- Zinc plated
- For splitting bi-fold doors
- Corner mount

MP7193 (N 7193 1-1/8")
 Inner pack: 2 Master pack: 10

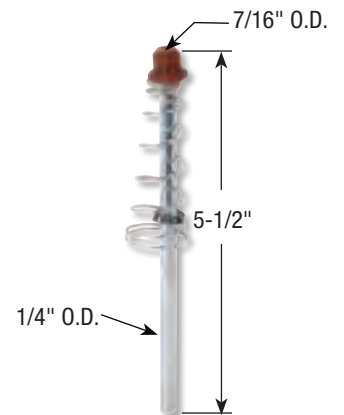
MP7195 (N 7195 1-3/8")
 Inner pack: 2 Master pack: 10



Bottom Pivot

- Steel
- Nylon cap

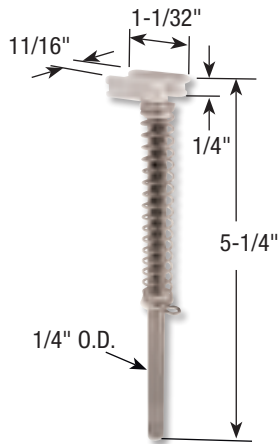
MP6730 (N 6730)
 Inner pack: 2 Master pack: 10



Guide Pin

- Steel
- Nylon cap

MP6827 (N 6827)
 Inner pack: 2 Master pack: 10

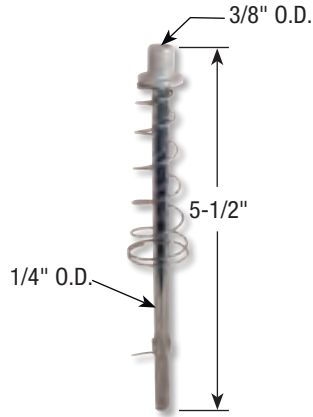


Guide Pin

- Steel
- Nylon cap

MP6733 (N 6733)

Inner pack: 2 Master pack: 10

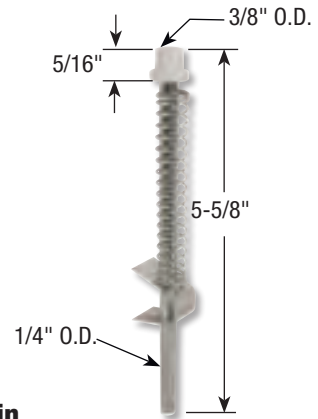


Guide Pin

- Steel
- Nylon cap

MP6638 (N 6638)

Inner pack: 2 Master pack: 10

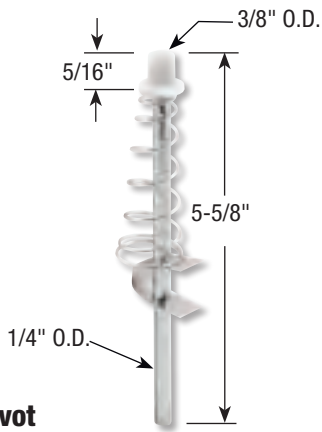


Guide Pin

- Steel
- Nylon cap

MP6729 (N 6729)

Inner pack: 2 Master pack: 10

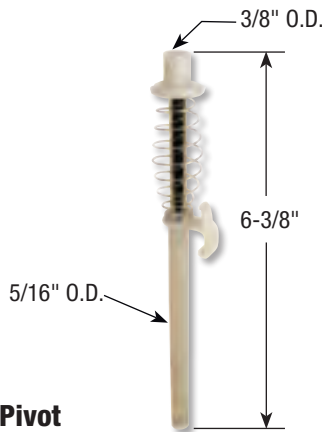


Top Pivot

- Steel
- Nylon cap

MP6920 (N 6920)

Inner pack: 2 Master pack: 10

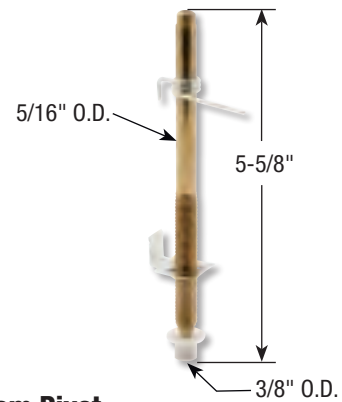


Top Pivot

- Steel
- Nylon cap

MP6637 (N 6637)

Inner pack: 2 Master pack: 10



Bottom Pivot

- Steel
- Nylon cap

MP6639 (N 6639)

Inner pack: 2 Master pack: 10

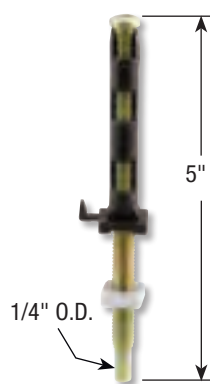


Top Pivot

- Steel
- Nylon cap

MP6778 (N 6778)

Inner pack: 2 Master pack: 10

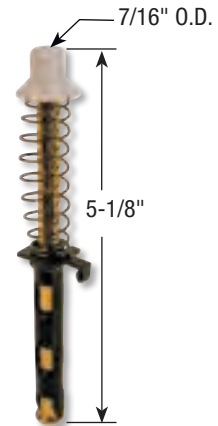


Bottom Pivot

- Steel
- Nylon cap

MP6777 (N 6777)

Inner pack: 2 Master pack: 10

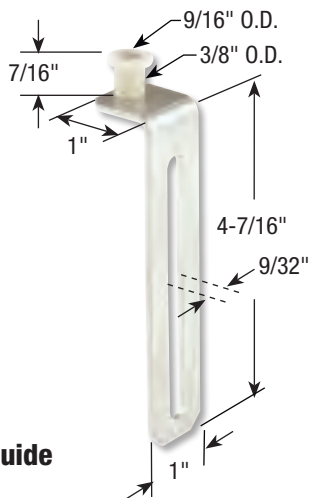


Guide Pin

- Steel
- Nylon cap

MP6776 (N 6776)

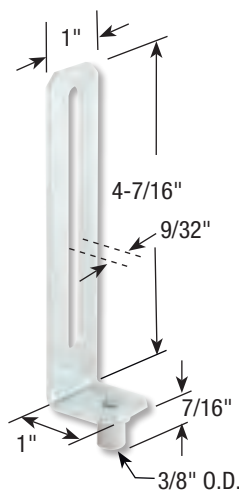
Inner pack: 2 Master pack: 10



Top Guide

- Steel
- Nylon cap

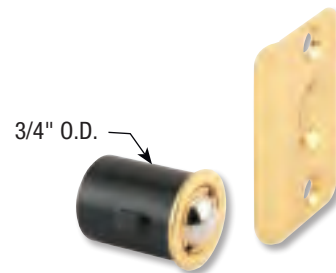
MP6615 (N 6615)
 Inner pack: 2 Master pack: 10



Bottom Guide

- Steel
- Nylon cap

MP6616 (N 6616)
 Inner pack: 2 Master pack: 10




Drive-in Ball Catch

- Heavy duty plated diecast
- Plated steel strike
- Designed for use on interior closet and utility doors

MP7331-1 (N 7331 brass)
 Inner pack: 1 Master pack: 10

 Facebook



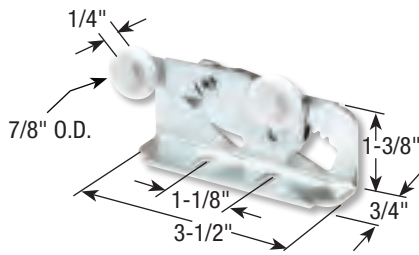
 YouTube



CONNECT
 With Prime-Line
primeline.net

 Twitter





Pocket Door Roller

- Tandem round edge nylon wheels
- Top mounting
- Adjustable steel bracket
- Fits 3/4" to 1-3/4" thick doors

MP6531 (N 6531)

Inner pack: 2 Master pack: 10

New Item



Side Mount Barn Door Kit

- Side mount
- Precision ball bearing roller system provides smooth operation
- Fits up to 37 in. wide door

N 7549 (black)

Inner pack: 1 Master pack: 1

N 7550 (brushed stainless)

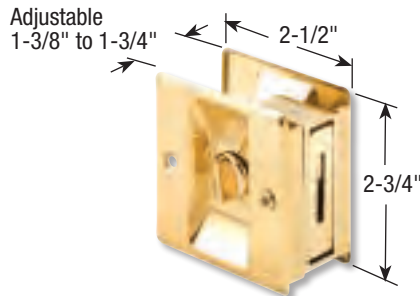
Inner pack: 1 Master pack: 1

N 7551 (satin nickel)

Inner pack: 1 Master pack: 1

Kit Includes:

1 - Top rail track (78-3/4 in.)	5 - Spacers
2 - Roller brackets	2 - Bumpers
5 - Lag bolts	1 - Guide
2 - Door stops	2 - Anti-jump bumpers



Pocket Door Privacy Lock with Pull

- Solid brass
- Fits a 5/8" x 3-1/2" mortise, 3/4" deep
- Pull retracts from flush position

MP6771 (N 6771 polished brass)

Inner pack: 1 Master pack: 1

MP6773 (N 6773 antique brass)

Inner pack: 1 Master pack: 10

New Item



Top Mount Barn Door Kit

- Top mount
- Precision ball bearing roller system provides smooth operation
- Fits up to 37 in. wide door

N 7555 (black)

Inner pack: 1 Master pack: 1

N 7556 (brushed stainless)

Inner pack: 1 Master pack: 1

N 7557 (satin nickel)

Inner pack: 1 Master pack: 1

Kit Includes:

1 - Top rail track (78-3/4 in.)	5 - Spacers
2 - Roller brackets	2 - Bumpers
5 - Lag bolts	1 - Guide
2 - Door stops	2 - Anti-jump bumpers



Don't see your part here?

» Visit our website or call...

primeline.net

1.800.899.7799



Drawer Track Kit (Rolled Edge)

- Rolled edge galvanized steel track
- Polyethylene guides
- Nylon front rollers
- May be used for top or bottom mount installations

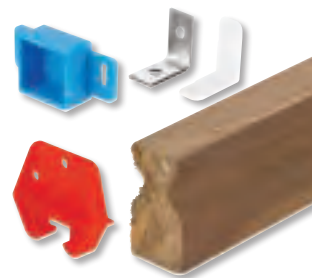
MP7125 (R 7125)
Inner pack: 1 Master pack: 10



Drawer Track Kit (Monorail)

- Galvanized steel track and rear support bracket
- Nylon rollers
- 75 lb. test rated
- May be used for top or bottom mount installations

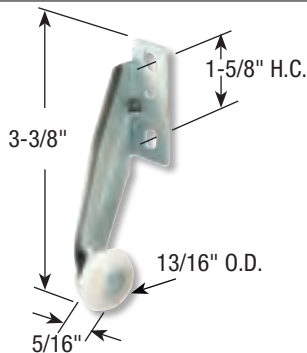
MP7137 (R 7137)
Inner pack: 1 Master pack: 10



Drawer Track Kit (Wood)

- Wood track
- Polyethylene guides and side saddles
- Steel angle brackets support front end of track
- May be used for top or bottom mount installations

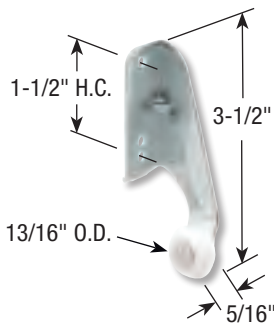
MP7144 (R 7144)
Inner pack: 1 Master pack: 10



Drawer Track Roller (Right Hand)

- Steel bracket
- Convex nylon roller
- Mounts on rear of drawer
- Used as center roller for monorail drawer slide systems

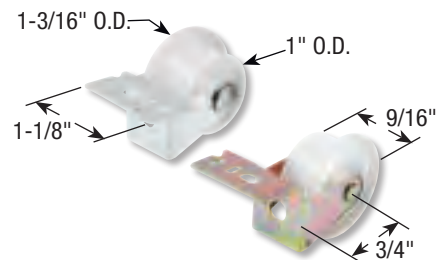
MP7148-5 (R 7148)
Inner pack: 5 Master pack: 10



Drawer Track Roller (Left Hand)

- Steel bracket
- Convex nylon roller
- Mounts on rear of drawer
- Used as center roller for monorail drawer slide systems

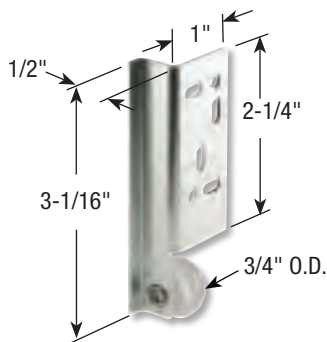
MP7141-5 (R 7141)
Inner pack: 5 Master pack: 10



Drawer Track Roller Set

- Adjustable steel mounting bracket
- Nylon roller
- Provides alignment and superior glide action for track mounted drawers

MP7147 (R 7147)
Inner pack: 2 Master pack: 10



Drawer Track Roller

- Steel bracket
- Concave nylon roller
- Mounts on rear of drawer
- Used as center roller for monorail drawer slide systems

MP7257 (R 7257)
Inner pack: 2 Master pack: 10



Drawer Slide Set

- White powder coated steel track
- Nylon rollers
- Positive stop in closed position; double stop in extended position locks drawer open
- Self-closing 2-1/2" from end

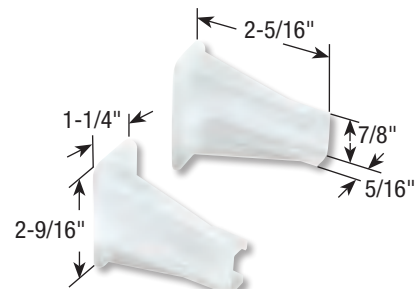
MP7210 (R 7210 - 16")
Inner pack: 1 Master pack: 5

MP7211 (R 7211 - 18")
Inner pack: 1 Master pack: 5

MP7212 (R 7212 - 20")
Inner pack: 1 Master pack: 5

MP7213 (R 7213 - 22")
Inner pack: 1 Master pack: 5

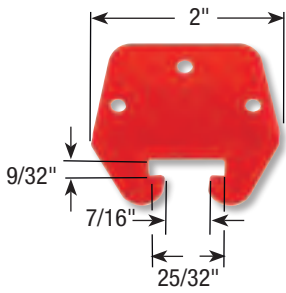
MP7214 (R 7214 - 24")
Inner pack: 1 Master pack: 5



Drawer Track Bracket Set

- White nylon
- 2-3/4" socket depth allows 2" of front to back adjustment of the rail
- Used on side mounted drawer track systems
- Right side has a larger lip

MP7240 (R 7240)
Inner pack: 1 Master pack: 10

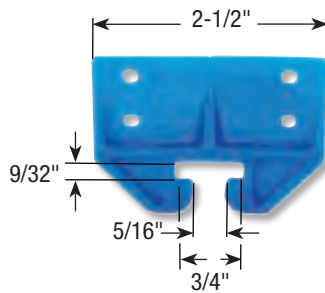


Drawer Guide

- Red polyethylene guide
- Restores smooth operation of track mounted drawers
- Fits a 9/32" x 3/4" track

MP7082 (R 7082)

Inner pack: 10 Master pack: 10

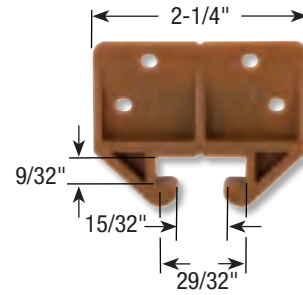


Drawer Guide

- Blue polyethylene guide
- Restores smooth operation of track mounted drawers
- Fits a 1/4" x 3/4" track

MP7083 (R 7083)

Inner pack: 10 Master pack: 10

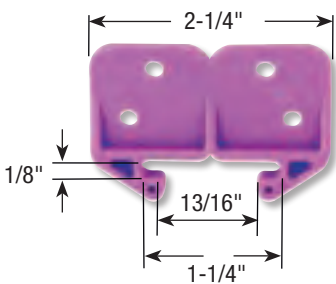


Drawer Guide

- Brown polyethylene guide
- Restores smooth operation of track mounted drawers
- Fits a 1/4" x 7/8" track

MP7084 (R 7084)

Inner pack: 25 Master pack: 10

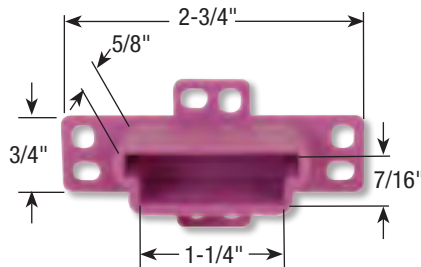


Drawer Guide

- Purple polyethylene guide
- Restores smooth operation of track mounted drawers
- Fits a 3/32" x 1-3/16" track

MP7130 (R 7130)

Inner pack: 25 Master pack: 10

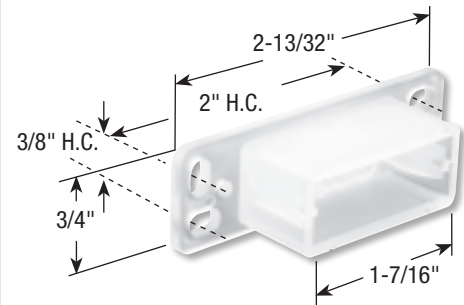


Drawer Back Plate

- Purple polyethylene
- Can be inverted for self-adjusting application
- For use on rolled edge and other center mounted tracks

MP7133 (R 7133)

Inner pack: 25 Master pack: 10



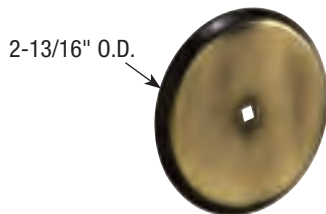
Drawer Back Plate

- White polyethylene
- Reversible left or right
- Fits several side mounted drawer tracks

MP7145 (R 7145)

Inner pack: 2 Master pack: 10

New Item



Knob Backplate

- Steel
- Installs at base of knob for added décor

MP9200 (U 9200 brass)

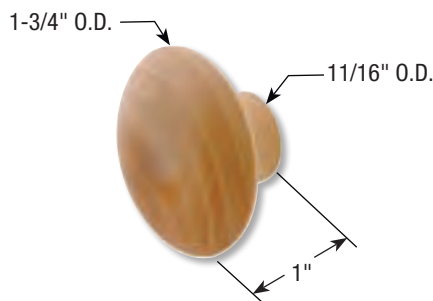
Inner pack: 5 Master pack: 10

MP9202 (U 9202 chrome)

Inner pack: 5 Master pack: 10

MP9201 (U 9201 antique brass)

Inner pack: 5 Master pack: 10

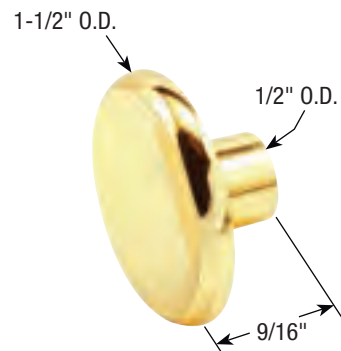


Knob

- Unfinished hardwood

MP6756 (N 6756)

Inner pack: 10 Master pack: 10

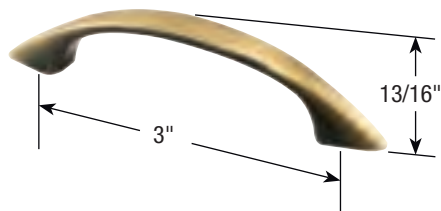


Knob

- Brass plated finish

MP9049 (U 9049)

Inner pack: 10 Master pack: 10



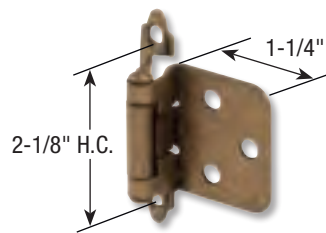
Cabinet Door Pull

- Plated finish

MP9051 (U 9051 chrome)
Inner pack: 5 Master pack: 10

MP9052 (U 9052 brass)
Inner pack: 5 Master pack: 10

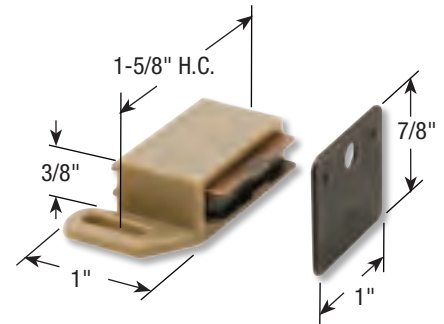
MP9053 (U 9053 antique brass)
Inner pack: 5 Master pack: 10



Self-Closing Hinge

- Semi-concealed steel hinge
- Spring loaded
- Used on overlay cabinet doors

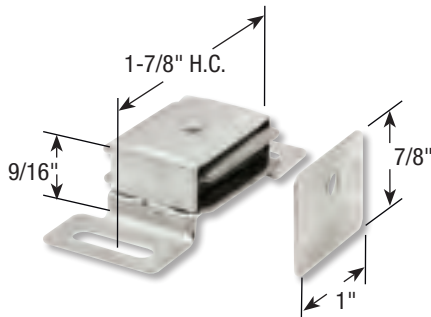
MP7136 (R 7136 antique brass finish)
Inner pack: 1 pair Master pack: 25



Magnetic Latch

- Tan plastic housing
- Steel strike plate

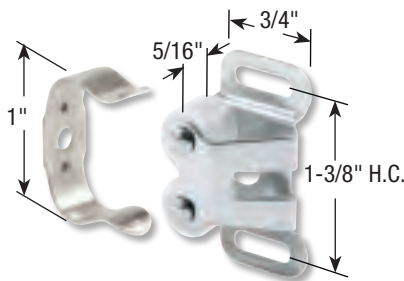
MP7340 (R 7340)
Inner pack: 5 Master pack: 10



Magnetic Latch

- Zinc plated adjustable steel housing
- Steel strike plate
- Large magnet for extra holding power

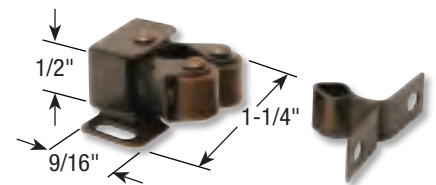
MP7080 (R 7080)
Inner pack: 5 Master pack: 10



Catch

- Dual nylon rollers
- Plated steel housing and spring steel clip
- Used on cabinet, closet and compartment doors

MP7081 (R 7081)
Inner pack: 5 Master pack: 10



Catch

- Dual nylon rollers
- Adjustable steel housing
- Steel keeper
- Heavy duty spring loaded latching

MP7174 (R 7174)
Inner pack: 5 Master pack: 10

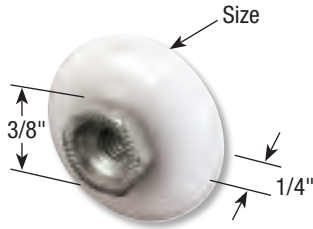


Become a Distributor

» Visit our website or call...

primeline.net

1.800.899.7799

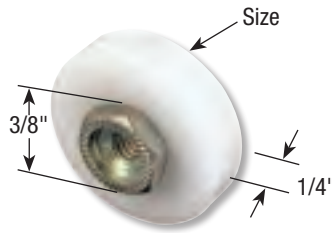


Roller

- Oval edge
- Nylon ball bearing roller with threaded hex hub

MP6000-2 (M 6000 3/4" O.D.)
Inner pack: 2 Master pack: 10

MP6002 (M 6002 7/8" O.D.)
Inner pack: 2 Master pack: 10

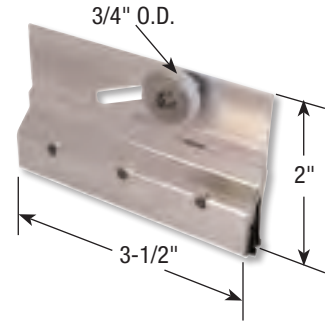


Roller

- Flat edge
- Nylon ball bearing roller with threaded hex hub

MP6001-2 (M 6001 3/4" O.D.)
Inner pack: 2 Master pack: 10

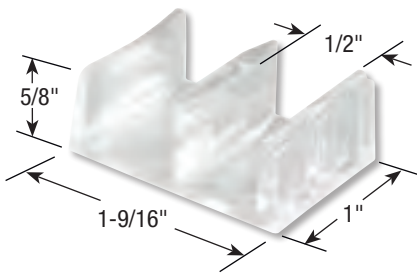
MP6003 (M 6003 7/8" O.D.)
Inner pack: 2 Master pack: 10



Roller Assembly

- Extruded aluminum bracket with glazing vinyl
- 3/4" diameter oval edge nylon ball bearing roller
- Accepts up to 1/4" thick panels
- Used on frameless shower doors

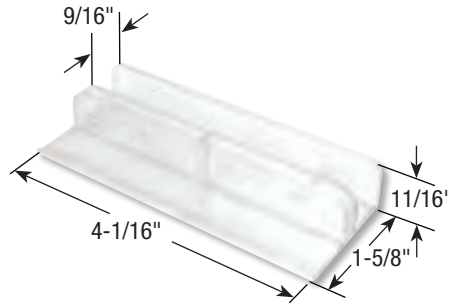
MP6053 (M 6053)
Inner pack: 2 Master pack: 10



Bottom Guide

- Clear nylon bottom guide for sliding tub enclosure doors
- Fits 7/16" thick door rails
- Self-adhesive tape included

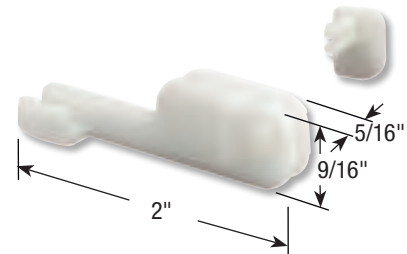
MP6058 (M 6058)
Inner pack: 2 Master pack: 10



Bottom Guide

- Clear nylon bottom guide for sliding tub enclosure doors
- Fits 1/2" thick door rails
- Fits on International®
- Self-adhesive tape included

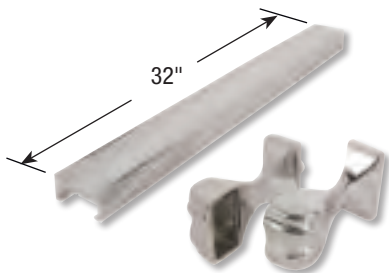
MP6067 (M 6067)
Inner pack: 2 Master pack: 10



Bottom Guide

- Nylon bottom guide and retainer for shower doors
- Fits on Kinkead® and Sterling®

MP6090 (M 6090)
Inner pack: 2 Master pack: 10



Towel Bar Assembly

- 32" x 3/8" x 3/4" extruded aluminum bar
- Diecast bracket
- Universal design
- Used on both shower and tub enclosure doors

MP6093 (M 6093)
Inner pack: 1 Master pack: 10



Pull

- Beveled mirrored glass pull
- Pressure sensitive adhesive backing

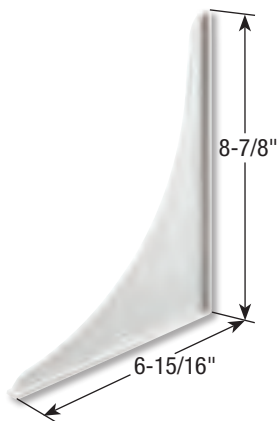
MP6942 (N 6942)
Inner pack: 2 Master pack: 10



Pull

- Adhesive-backed plastic handle
- Easy installation
- Universal application

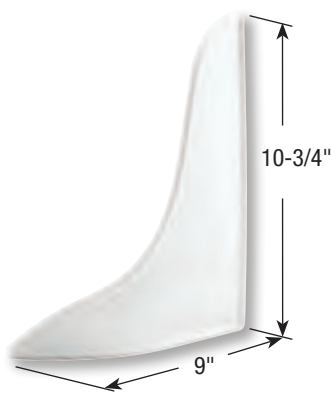
MP2549 (F 2549 clear)
Inner pack: 6 Master pack: 10



Splash Guard

- White plastic
- Non-handed flat design
- Self-adhesive

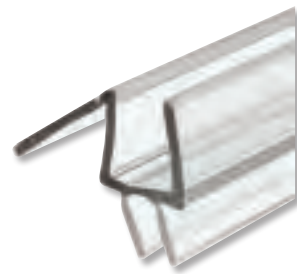
MP6085 (M 6085)
 Inner pack: 2 Master pack: 10



Curved Splash Guard

- White plastic
- 1 left hand and 1 right hand
- Self-adhesive

MP6086 (M 6086)
 Inner pack: 1 pr Master pack: 10 pr



Bottom Seal (36")

- Clear vinyl
- For frameless shower doors
- Fits 3/8" thick glass
- Slip-on fit, no adhesive necessary

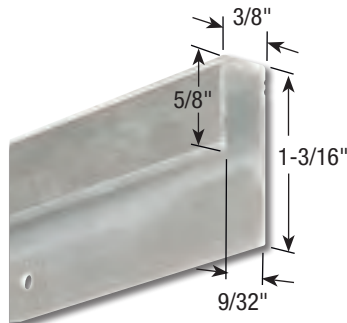
M 6258
 Inner pack: 1 Master pack: 4



Bottom Seal (36")

- Clear vinyl
- For frameless shower doors
- Fits 3/8" thick glass
- Slip-on fit, no adhesive necessary

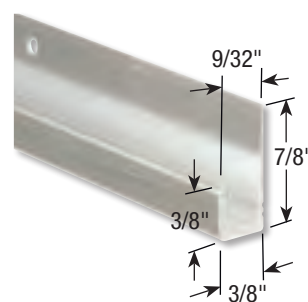
M 6264
 Inner pack: 1 Master pack: 4



Mirror "J" Channel

- Top mount
- 72"
- Used to securely mount wall mirrors
- Can be cut down to fit any size mirror under 72" wide

193681 (U 10388)
 Inner pack: 1 Master pack: 10



Mirror "J" Channel

- Bottom mount
- 72"
- Used to securely mount wall mirrors
- Can be cut down to fit any size mirror under 72" wide

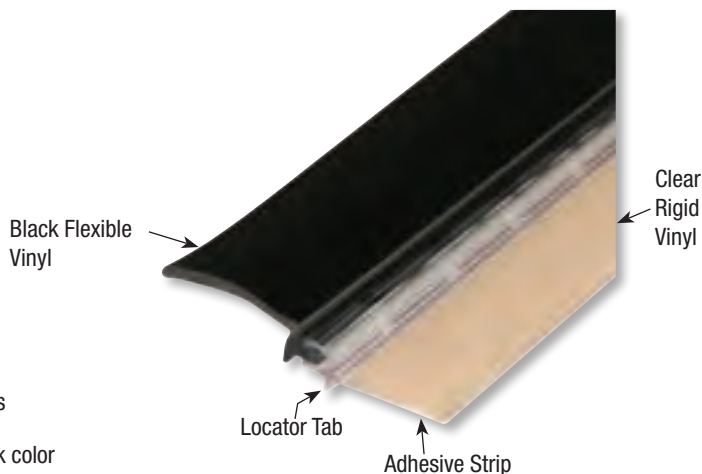
193680 (U 10387)
 Inner pack: 1 Master pack: 10

New Item

Privacy Cover

- Eliminates most door and panel gaps
- Assures personal privacy
- Self-adhesive for fastener free installation
- Clear rigid vinyl blends to all partition colors and materials
- Cut to fit for various partition door installations
- Flexible vinyl flap adapts to multiple applications. The black color obscures vision.

650-1010 (2 - 58" pieces per set)
 Inner pack: 1 set Master pack: 5 sets



Economy Door Stop

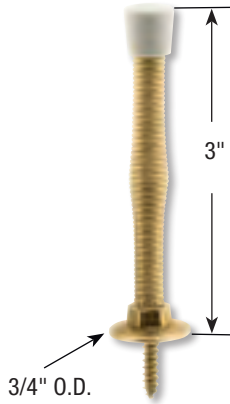
- Flexible
- Plated steel spring
- Rubber tip
- Steel screw insert

MP9000 (U 9000 brass plated)
Inner pack: 10 Master pack: 10

MP9018 (U 9018 antique brass)
Inner pack: 10 Master pack: 10

MP10112-5 (U 10112 satin nickel)
Inner pack: 5 Master pack: 10

MP9019 (U 9019 chrome)
Inner pack: 10 Master pack: 10



Heavy Duty Door Stop

- Flexible
- Plated steel spring
- Rubber tip
- Separate base and screw

MP9037 (U 9037 brass plated)
Inner pack: 5 Master pack: 10

MP9038 (U 9038 antique brass)
Inner pack: 5 Master pack: 10

MP9039 (U 9039 chrome)
Inner pack: 5 Master pack: 10

MP10115 (U 10115 satin nickel)
Inner pack: 5 Master pack: 10

MP10116 (U 10116 classic bronze)
Inner pack: 5 Master pack: 10



Commercial Door Stop

- Flexible
- Plated steel spring
- Rubber tip
- Separate base and screw

MP9158 (U 9158 brass plated)
Inner pack: 5 Master pack: 10

MP9158-50 (U 9158 brass plated)
Inner pack: 50 Master pack: 10

MP9159 (U 9159 antique brass)
Inner pack: 5 Master pack: 10

MP9160 (U 9160 chrome plated)
Inner pack: 5 Master pack: 10

MP10127 (U 10127 satin nickel)
Inner pack: 5 Master pack: 10



Economy Door Stop

- Rigid
- Plated diecast base
- Rubber tip
- Steel screw insert

MP9020 (U 9020 brass plated)
Inner pack: 10 Master pack: 10

MP9021 (U 9021 antique brass)
Inner pack: 10 Master pack: 10

MP9022 (U 9022 chrome plated)
Inner pack: 10 Master pack: 10

MP10118-5 (U 10118 satin nickel)
Inner pack: 5 Master pack: 10



Heavy Duty Door Stop

- Rigid
- Plated diecast base
- Rubber tip
- Steel screw insert

MP9042 (U 9042 brass plated)
Inner pack: 5 Master pack: 10

MP9043 (U 9043 antique brass)
Inner pack: 5 Master pack: 10

MP9044 (U 9044 chrome plated)
Inner pack: 5 Master pack: 10

MP10403 (U 10403 satin nickel)
Inner pack: 5 Master pack: 10

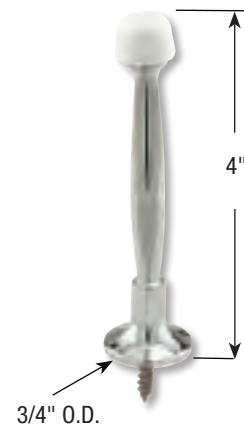


Commercial Door Stop

- Rigid
- Plated diecast base
- Rubber tip
- Steel screw insert

MP9134 (U 9134 brass plated)
Inner pack: 5 Master pack: 10

MP9136 (U 9136 chrome)
Inner pack: 5 Master pack: 10





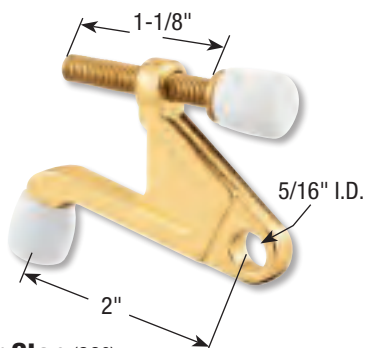
Door Stop (30°)

- Plated diecast base
- Rubber tip
- Accepts all 5/16" diameter hinge pins
- Adjustable screw allows for controlled stopping

MP9045 (U 9045 brass plated)
Inner pack: 10 Master pack: 10

MP9097 (U 9097 chrome)
Inner pack: 10 Master pack: 10

MP10498-5 (U 10498 satin nickel)
Inner pack: 5 Master pack: 10

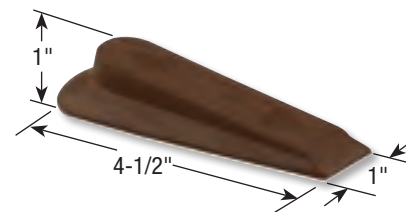


Door Stop (90°)

- Plated diecast base
- Rubber tip
- Accepts all 5/16" diameter hinge pins
- Adjustable screw allows for controlled stopping

MP9026-5 (U 9026 brass plated)
Inner pack: 5 Master pack: 10

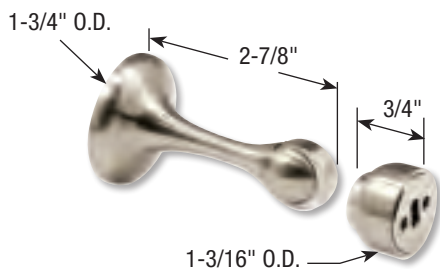
MP9028 (U 9028 chrome)
Inner pack: 5 Master pack: 10



Door Stop

- Brown rubber
- Saw tooth base

MP9210 (U 9210)
Inner pack: 5 Master pack: 10

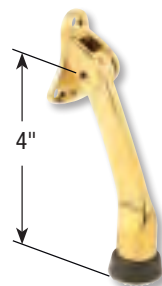


Magnetic Door Holder

- Plated diecast steel
- Can be mounted vertically on the floor, or horizontally on the wall
- Receiver with spring-loaded steel button

MP4907-1 (J 4907 polished brass)
Inner pack: 1 Master pack: 10

MP4910-1 (J 4910 satin nickel)
Inner pack: 1 Master pack: 10



Door Holder

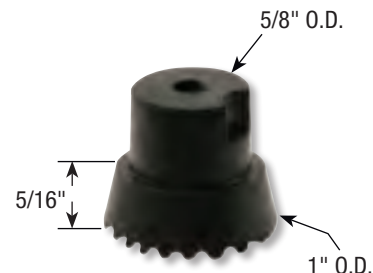
- Zinc diecast
- Rubber tip
- Spring loaded to hold in "up" position
- Use 55 6112 replacement tips

MP4543 (J 4543 brass plated)
Inner pack: 1 Master pack: 10

MP4523 (J 4523 chrome)
Inner pack: 1 Master pack: 10

MP4533 (J 4533 bronze plated)
Inner pack: 1 Master pack: 10

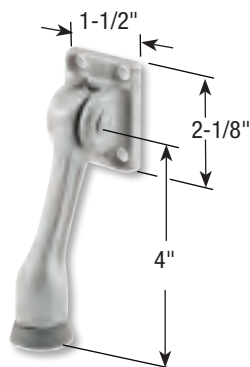
MP4848 (J 4848 satin nickel)
Inner pack: 1 Master pack: 10



Holder Tip

- With screw
- Black rubber
- Replaces worn out tips on drop down door holders

MP4557 (J 4557)
Inner pack: 10 Master pack: 10



Door Holder

- Heavy cast iron
- Spring loaded
- Rubber tip
- Use 55 6114-1 replacement tip

MP4551 (J 4551 aluminum)
Inner pack: 1 Master pack: 10

MP4552 (J 4552 bronze)
Inner pack: 1 Master pack: 10



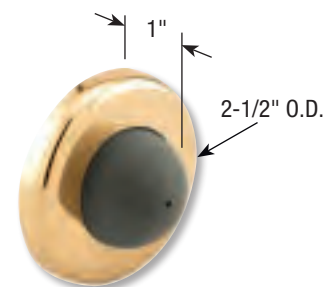
Door Holder

- Heavy cast brass holder
- Rubber tip
- Meets ANSI standards for commercial use
- Use 55 6124-1 replacement tip

MP4572 (J 4572 polished brass)
Inner pack: 1 Master pack: 10

MP4571J (J 4571 brushed chrome)
Inner pack: 1 Master pack: 10

MP4849 (J 4849 satin nickel)
Inner pack: 1 Master pack: 10

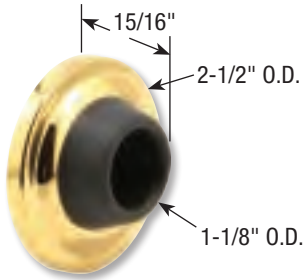


Wall Stop

- Convex rubber bumper
- Steel retainer plate
- Screw installs through steel retainer plate into wall anchor

MP4550-1 (J 4550 polished brass)
Inner pack: 1 Master pack: 10

MP4649-1 (J 4649 satin chrome)
Inner pack: 1 Master pack: 10

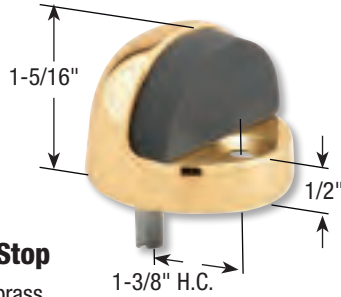


Wall Stop

- Concave rubber bumper
- Steel retainer plate
- Screw installs through steel retainer plate into wall anchor

MP4542-1 (J 4542 polished brass)
Inner pack: 1 Master pack: 10

MP4843-1 (J 4843 satin nickel)
Inner pack: 1 Master pack: 10



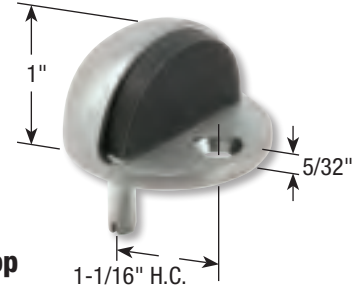
Door Stop

- Cast brass
- Rubber bumper
- Mounts to floor
- Meets ANSI standards

MP4555 (J 4555 polished brass)
Inner pack: 1 Master pack: 10

MP4545 (J 4545 satin chrome)
Inner pack: 1 Master pack: 10

MP4846 (J 4846 satin nickel)
Inner pack: 1 Master pack: 10



Door Stop

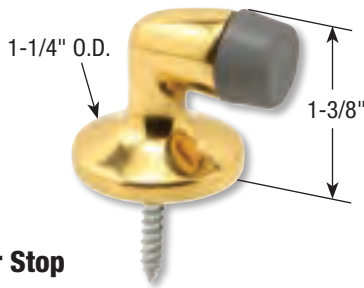
- Cast brass
- Rubber bumper
- Mounts to floor
- Meets ANSI standards

MP4554 (J 4554 polished brass)
Inner pack: 1 Master pack: 10

MP4544 (J 4544 satin chrome)
Inner pack: 1 Master pack: 10

MP4845 (J 4845 satin nickel)
Inner pack: 1 Master pack: 10

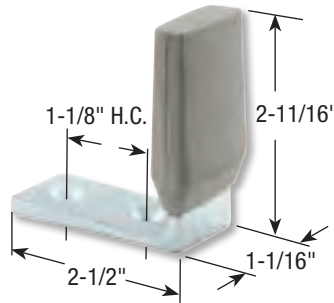
New Item



Door Stop

- Solid brass
- Rubber bumper
- Mounts to floor
- Meets ANSI standards

MP5037J (J 5037 polished brass)
Inner pack: 5 Master pack: 1



Door Stop

- Wrought steel
- Rubber bumper
- Used on under cut doors up to 1-1/2"

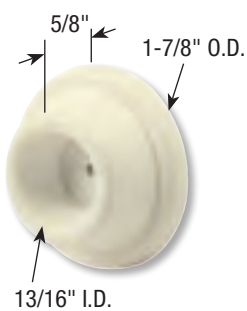
MP4592 (J 4592 aluminum)
Inner pack: 1 Master pack: 10



Door Stop

- Solid brass
- Rubber bumper
- Mounts to floor
- Built in hook to hold door in open position

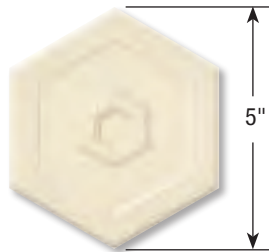
MP4602 (J 4602 satin chrome)
Inner pack: 1 Master pack: 5



Door Stop

- Solid rubber
- Off white
- Concave center
- Self-adhesive

MP9029-2 (U 9029)
Inner pack: 2 Master pack: 10



Wall Protector

- Rigid vinyl
- Self adhesive
- Paintable
- Protects interior walls from impact damage by shielding contact point of wall and door knob
- Repairs damaged walls

MP9140 (U 9140 ivory)
Inner pack: 5 Master pack: 10

Wall Protector

- Rigid vinyl
- Self adhesive
- Paintable
- Protects interior walls from impact damage by shielding contact point of wall and door knob
- Repairs damaged walls

MP9185 (U 9185 - 3-1/4" ivory textured)
Inner pack: 5 Master pack: 10

MP9243 (U 9243 - 3-1/4" white textured)
Inner pack: 5 Master pack: 10

MP9267 (U 9267 - 3-1/4" ivory smooth)
Inner pack: 5 Master pack: 10

MP9270 (U 9270 - 3-1/4" white smooth)
Inner pack: 5 Master pack: 10

MP9186 (U 9186 - 5" ivory textured)
Inner pack: 5 Master pack: 10



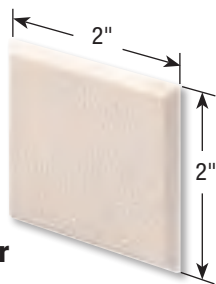
MP9244 (U 9244 - 5" white textured)
Inner pack: 5 Master pack: 10

MP9268 (U 9268 - 5" ivory smooth)
Inner pack: 5 Master pack: 10

MP9271 (U 9271 - 5" white smooth)
Inner pack: 5 Master pack: 10

MP9264 (U 9264 - 7" ivory textured)
Inner pack: 5 Master pack: 10

MP9265 (U 9265 - 7" white textured)
Inner pack: 5 Master pack: 10

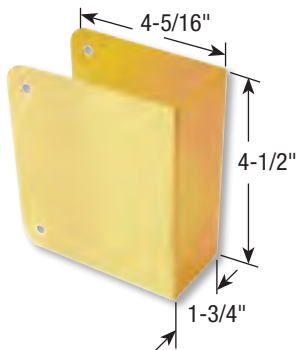


Wall Protector

- Rigid vinyl
- Self adhesive
- Paintable
- Protects interior walls from impact damage by shielding contact point of wall and door knob
- Repairs damaged walls

MP10866 (U 10866 white)
Inner pack: 5 Master pack: 10

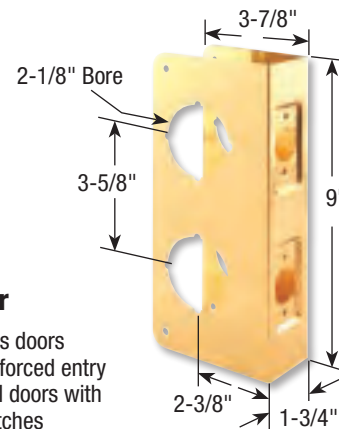
MP10867 (U 10867 ivory)
Inner pack: 5 Master pack: 10



Blank Reinforcer

- Covers unsightly holes and damage
- Can be drilled to accommodate specialty locks

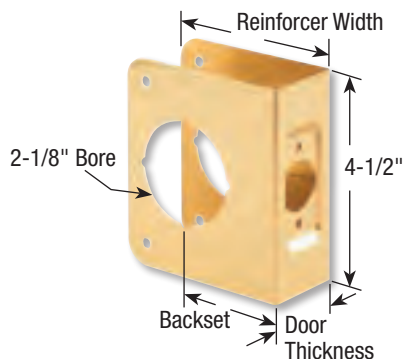
MP9490 (U 9490 - brass)
Inner pack: 1 Master pack: 5



Recessed Lock & Door Reinforcer

- Reinforces and repairs doors
- Assists in preventing forced entry
- Use on wood or metal doors with mortise or drive-in latches
- Accommodates key-in knob locksets or deadbolts

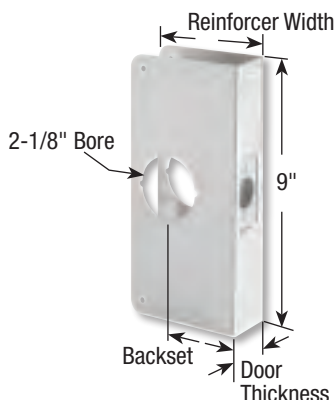
MP9546 (U 9546 polished brass)
Inner pack: 1 Master pack: 5



Recessed Lock & Door Reinforcer

- Reinforces and repairs doors
- Assists in preventing forced entry
- Use on wood or metal doors with mortise or drive-in latches
- Accommodates key-in knob locksets or deadbolts

		Finish	Backset	Door Thickness	Reinforcer Width
MP9543	(U 9543)	Brass	2-3/8"	1-3/8"	3-7/8"
Inner pack: 1 Master pack: 5					
MP9544	(U 9544)	Brass	2-3/8"	1-3/4"	3-7/8"
Inner pack: 1 Master pack: 5					
MP9545	(U 9545)	Brass	2-3/4"	1-3/4"	4-5/16"
Inner pack: 1 Master pack: 5					
MP9553	(U 9553)	Stainless Steel	2-3/8"	1-3/4"	3-7/8"
Inner pack: 1 Master pack: 5					
MP9554	(U 9554)	Stainless Steel	2-3/4"	1-3/4"	4-5/16"
Inner pack: 1 Master pack: 5					
MP10852	(U 10852)	Stainless Steel	2-3/8"	1-3/8"	3-7/8"
Inner pack: 1 Master pack: 5					



Recessed Lock & Door Reinforcer

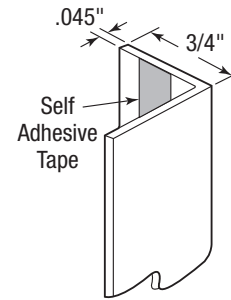
- Reinforces and repairs doors
- Assists in preventing forced entry
- Use on wood or metal doors with mortise or drive-in latches
- Accommodates key-in knob locksets or deadbolts

		Finish	Backset	Door Thickness	Reinforcer Width
MP9540	(U 9540)	Brass	2-3/8"	1-3/8"	3-7/8"
Inner pack: 1 Master pack: 5					
MP9541	(U 9541)	Brass	2-3/8"	1-3/4"	3-7/8"
Inner pack: 1 Master pack: 5					
MP9542	(U 9542)	Brass	2-3/4"	1-3/4"	4-5/16"
Inner pack: 1 Master pack: 5					
MP9551	(U 9551)	Stainless Steel	2-3/8"	1-3/4"	3-7/8"
Inner pack: 1 Master pack: 5					
MP9552	(U 9552)	Stainless Steel	2-3/4"	1-3/4"	4-5/16"
Inner pack: 1 Master pack: 5					

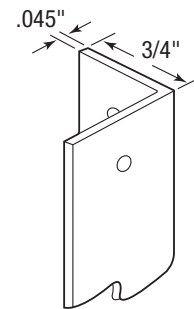
Flat front style available upon request

Corner Guards - Used for protecting or repairing wall corners from chipped paint, torn wallpaper or fingerprints

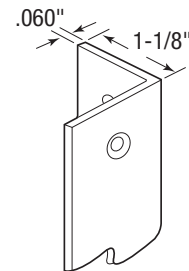
Part No.	Color	Leg Size	Length	Application
MP10066 (U 10066) Inner pack: 5 Master pack: 10	White vinyl	3/4" x 3/4"	48"	Tape
MP10344 (U 10344) Inner pack: 5 Master pack: 10	Almond vinyl	3/4" x 3/4"	48"	Tape



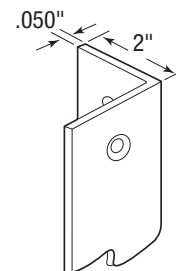
MP9129 (U 9129) Inner pack: 5 Master pack: 10	Clear vinyl	3/4" x 3/4"	48"	Nails
---	-------------	-------------	-----	-------



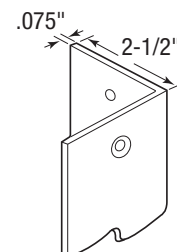
MP9130 (U 9130) Inner pack: 5 Master pack: 10	Clear vinyl	1-1/8" x 1-1/8"	48"	Screws
MP10067 (U 10067) Inner pack: 5 Master pack: 10	White vinyl	1-1/8" x 1-1/8"	48"	Screws
MP10345 (U 10345) Inner pack: 5 Master pack: 10	Almond vinyl	1-1/8" x 1-1/8"	48"	Screws



MP10857 (U 10857) Inner pack: 6	Stainless Steel	2" x 2"	48"	Screws
---	-----------------	---------	-----	--------



MP10068 (U 10068) Inner pack: 6	Clear vinyl	2-1/2" x 2-1/2"	48"	Screws
MP10069 (U 10069) Inner pack: 6	White vinyl	2-1/2" x 2-1/2"	48"	Blank
MP10346 (U 10346) Inner pack: 6	Almond vinyl	2-1/2" x 2-1/2"	48"	Blank





.030 thick

Kickplate

- Non-ferrous base metals
- Pre-drilled with screws
- Removable PVC protective coating on most plates
- .030 kick plates

MP4702 (J 4702 - 6" x 34" satin aluminum)
Inner pack: 1 Master pack: 10

MP4703 (J 4703 - 6" x 34" brass finish)
Inner pack: 1 Master pack: 10

MP4704 (J 4704 - 6" x 34" polished brass)
Inner pack: 1 Master pack: 10

MP4837 (J 4837 - 6" x 34" satin nickel)
Inner pack: 1 Master pack: 10

MP4708 (J 4708 - 6" x 34" stainless steel)
Inner pack: 1 Master pack: 10

MP4753 (J 4753 - 6" x 36" satin aluminum)
Inner pack: 1 Master pack: 10

MP4616J (J 4616 - 8" x 34" satin aluminum)
Inner pack: 1 Master pack: 10

MP4618 (J 4618 - 8" x 34" brass finish)
Inner pack: 1 Master pack: 10

MP4617 (J 4617 - 8" x 34" polished brass)
Inner pack: 1 Master pack: 10

MP4838 (J 4838 - 8" x 34" satin nickel)
Inner pack: 1 Master pack: 10

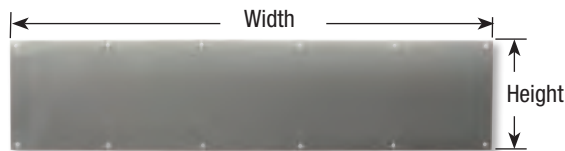
MP4619 (J 4619 - 8" x 34" stainless steel)
Inner pack: 1 Master pack: 10

MP4754 (J 4754 - 8" x 36" satin aluminum)
Inner pack: 1 Master pack: 10

MP4760 (J 4760 - 8" x 36" polished brass)
Inner pack: 1 Master pack: 5

MP4620 (J 4620 - 10" x 34" satin aluminum)
Inner pack: 1 Master pack: 10

New Item



.050 thick

Kickplate

- Non-ferrous base metals
- Pre-drilled with screws
- Removable PVC protective coating on most plates
- .050 commercial kick plates

J 4768 (8" x 34" stainless steel)
Inner pack: 1 Master pack: 5

J 4960 (8" x 34" satin aluminum)
Inner pack: 1 Master pack: 5

J 4961 (8" x 34" satin nickel aluminum)
Inner pack: 1 Master pack: 5

J 4962 (8" x 34" brass finish aluminum)
Inner pack: 1 Master pack: 5

J 4769 (10" x 34" stainless steel)
Inner pack: 1 Master pack: 5

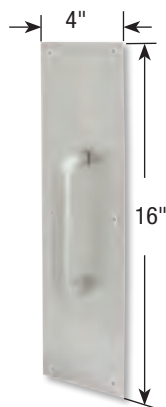
J 4965 (10" x 34" satin aluminum)
Inner pack: 1 Master pack: 5

J 4966 (10" x 34" satin nickel aluminum)
Inner pack: 1 Master pack: 5

J 4967 (10" x 34" brass finish aluminum)
Inner pack: 1 Master pack: 5

J 5018 (34" x 34" stainless steel)
Inner pack: 1 Master pack: 1

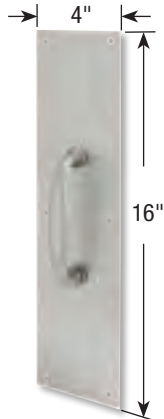
J 5019 (36" x 36" stainless steel)
Inner pack: 1 Master pack: 1



Pull Plate

- 6" HC round handle
- Non-ferrous base metal
- Removable PVC protective coating on most plates
- Brass pulls have protective finish
- Meets A.N.S.I. A156.6 specifications

MP4640 (J 4640 satin aluminum)
Inner pack: 1 Master pack: 5



Pull Plate

- 5-1/8" HC decorator oval handle
- Non-ferrous base metal
- Removable PVC protective coating on most plates
- Brass pulls have protective finish
- Meets A.N.S.I. A156.6 specifications

MP4579 (J 4579 satin aluminum)
Inner pack: 1 Master pack: 5



Push Plate

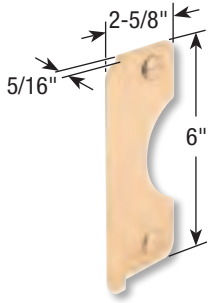
- Non-ferrous base metals
- Removable PVC protective coating on most plates
- Meets A.N.S.I. A156.6 specifications

MP4718 (J 4718 - 3-1/2" x 15" satin aluminum)
Inner pack: 1 Master pack: 10

MP4719 (J 4719 - 3-1/2" x 15" polished brass)
Inner pack: 1 Master pack: 10

MP4581 (J 4581 - 4" x 16" satin aluminum)
Inner pack: 1 Master pack: 5

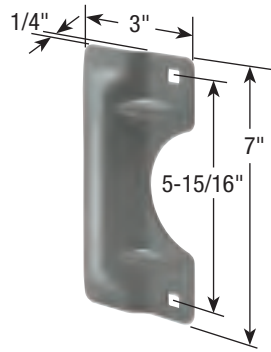
MP4580 (J 4580 - 4" x 16" polished brass)
Inner pack: 1 Master pack: 5



Latch Shield

- Steel
- Secures against forced entry
- Used on outswinging doors
- For residential, commercial and industrial use

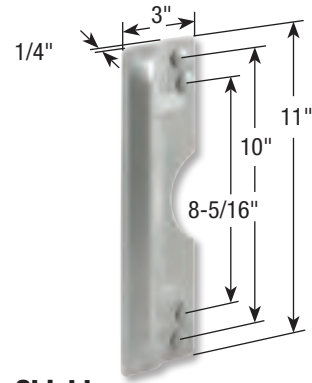
MP9510 (U 9510 brass plated)
Inner pack: 1 Master pack: 10



Latch Shield

- Steel
- Secures against forced entry
- Used on outswinging doors
- For residential, commercial and industrial use

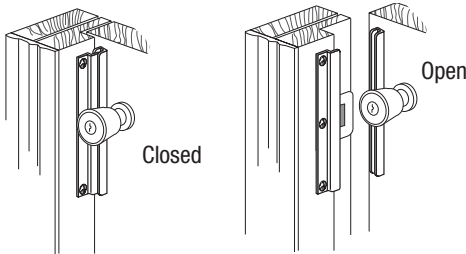
MP9500 (U 9500 painted gray)
Inner pack: 1 Master pack: 10



Latch Shield

- Steel
- Secures against forced entry
- Used on outswinging doors
- For residential, commercial and industrial use

MP4585 (U 9503 painted gray)
Inner pack: 1 Master pack: 5

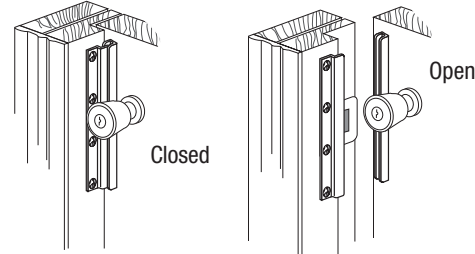
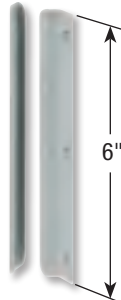


Latch Shield

- Steel
- Use on inswing doors
- Interlocking brackets protect against forced entry
- May be applied to wood or metal doors
- Requires no mortising

MP9511 (U 9511 painted gray)
Inner pack: 1 Master pack: 10

MP9512 (U 9512 brass plated)
Inner pack: 1 Master pack: 10

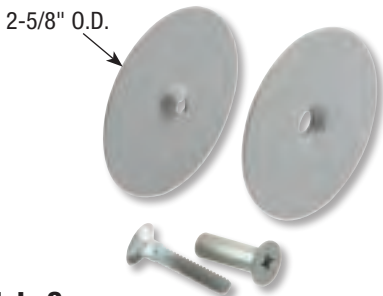
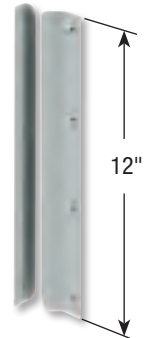


Latch Shield

- Steel
- Use on inswing doors
- Interlocking brackets protect against forced entry
- May be applied to wood or metal doors
- Requires no mortising

MP9513 (U 9513 painted gray)
Inner pack: 1 Master pack: 10

MP9514 (U 9514 brass plated)
Inner pack: 1 Master pack: 10

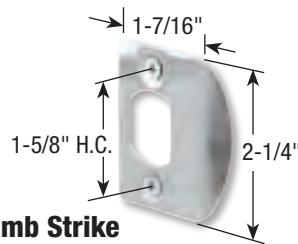


Hole Cover

- Steel
- Covers 1/2" to 2-1/8" holes
- Helps maintain entry security
- Fits doors to 1-3/4" thick

MP9515-2 (U 9515 painted gray)
Inner pack: 2 Master pack: 10

MP9516-2 (U 9516 brass plated)
Inner pack: 2 Master pack: 10



Standard Jamb Strike

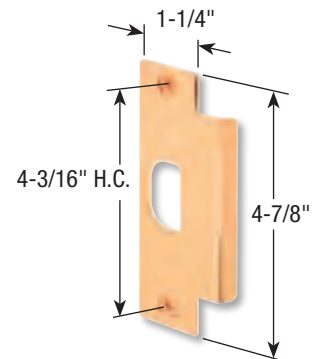
- Plated steel
- Adjustable latching tab
- Replaces most residential interior and exterior strikes

MP2232-5 (E 2232 brass plated)
Inner pack: 5 Master pack: 10

MP2233 (E 2233 antique brass)
Inner pack: 2 Master pack: 10

MP2234 (E 2234 chrome)
Inner pack: 2 Master pack: 10

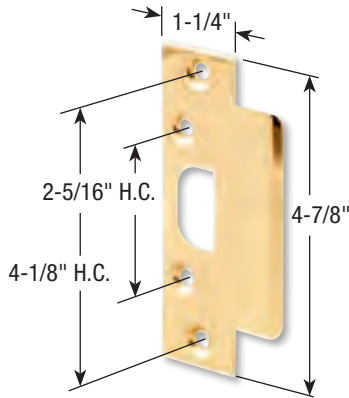
MP2301 (E 2301 stainless steel)
Inner pack: 2 Master pack: 10



Standard "ASA" Strike

- Used on wood or metal jambs with most grade 1 or 2 locksets
- Fits ANSI cut-out (meets ANSI A156.2)

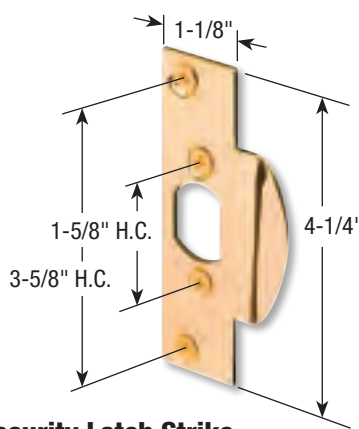
MP9484 (U 9484 polished brass)
Inner pack: 2 Master pack: 10



Security Latch Strike

- Fits A.N.S.I. cut-out for commercial and residential applications

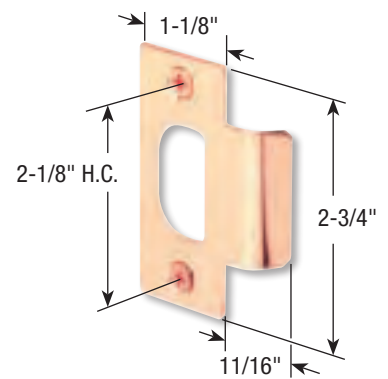
MP2236 (E 2236 brass plated)
Inner pack: 1 Master pack: 10



Security Latch Strike

- Brass plated
- Replaces most standard strikes

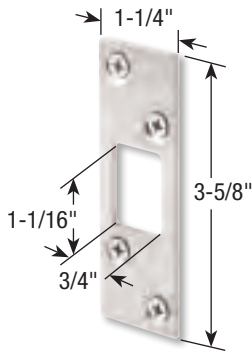
MP9422 (U 9422)
Inner pack: 2 Master pack: 10



Standard "T" Strike

- Solid brass strike
- Used on wood or metal jambs with most grade 2 locksets

MP2305 (E 2305 polished brass)
Inner pack: 2 Master pack: 10



Security Deadbolt Strike

- Plated steel
- Replaces most deadbolt strikes

MP2235 (E 2235 brass plated)
Inner pack: 2 Master pack: 10

MP2461 (E 2461 satin nickel)
Inner pack: 2 Master pack: 10

New Item

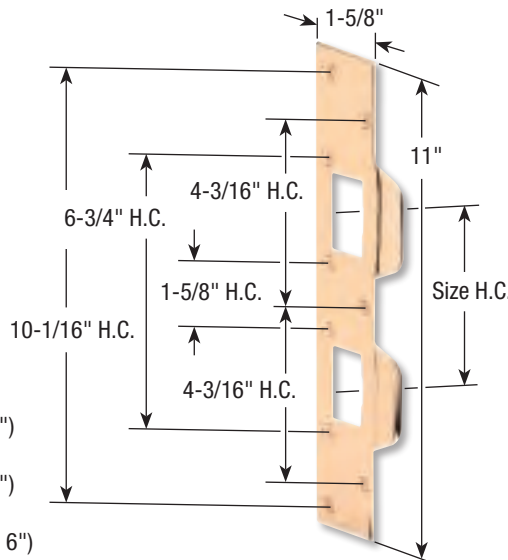
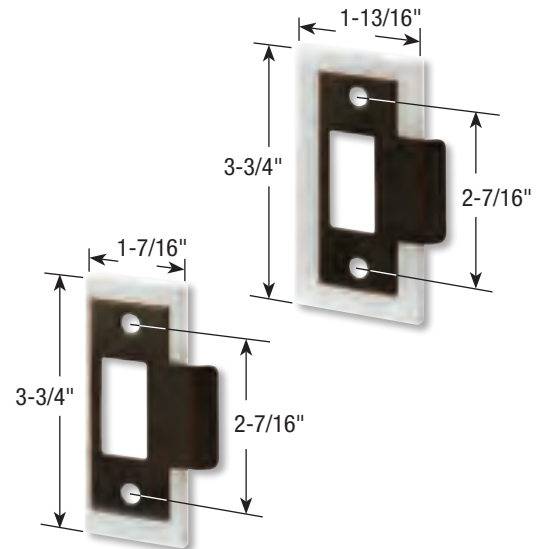
Fix-A-Latch

- Repairs problem latch that "misses the hole" when doors sag or settle
- Includes 1 shim and strike for standard interior door (1-3/8 in.) and 1 shim and strike for standard exterior doors (1-3/4 in.) and mounting screws
- Easy to install
- Thin profile requires only 1/8 in. clearance to mount

FAL2BR (brass finish)
Inner pack: 1 Master pack: 6

FAL2BZ (bronze finish)
Inner pack: 1 Master pack: 6

FAL2SN (satin nickel finish)
Inner pack: 1 Master pack: 6



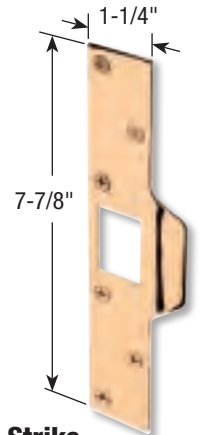
Maximum Security Combination Strike

- Replaces standard latch and deadbolt strikes with one piece security

MP9427 (U 9427 brass plated - 3-5/8" to 4")
Inner pack: 1 Master pack: 10

MP9480 (U 9480 brass plated - 5-1/2" to 6")
Inner pack: 1 Master pack: 10

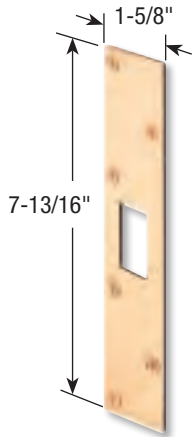
MP10385 (U 10385 satin nickel - 5-1/2" to 6")
Inner pack: 1 Master pack: 10



Maximum Security Strike

- Brass plated
- Strengthens or repairs wood jambs

MP9426 (U 9426)
Inner pack: 1 Master pack: 10

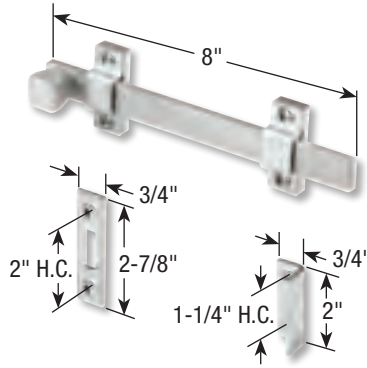


Maximum Security Deadbolt Strike

- Brass plated
- Strengthens or repairs wood jambs

MP9425 (U 9425)

Inner pack: 1 Master pack: 10

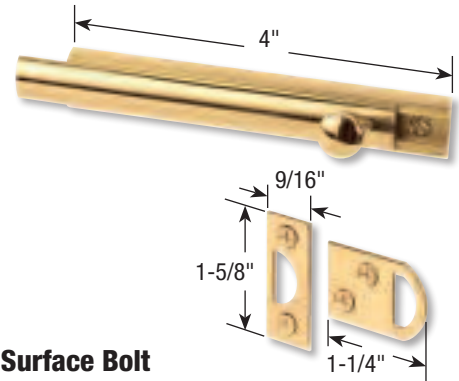


Surface Bolt

- Brushed chrome finish
- Heavy duty steel
- Mounts to face of door
- 1-1/8" throw

MP4914 (J 4914)

Inner pack: 1 Master pack: 10

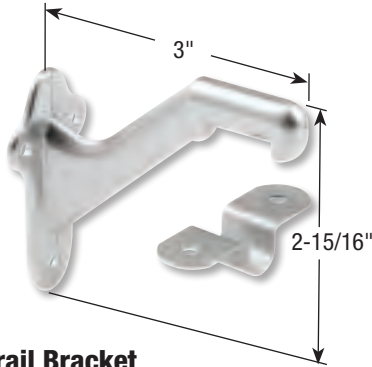


Surface Bolt

- Solid brass
- Surface mounts to face of door
- Two keepers allow for surface or mortise frame installation

MP9205 (U 9961)

Inner pack: 1 Master pack: 10



Handrail Bracket

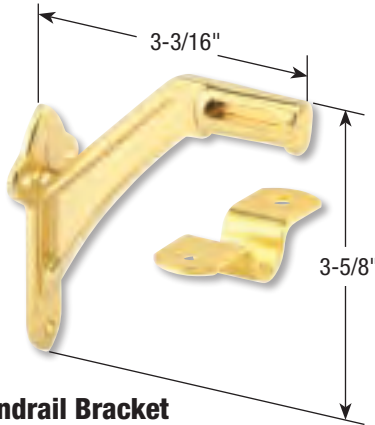
- Plated diecast bracket
- Adjustable end clip for tilting hand rails
- Projects 3" from wall

MP9046 (U 9046 brass plated)

Inner pack: 2 Master pack: 10

MP10132 (U 10132 satin chrome)

Inner pack: 2 Master pack: 10



Handrail Bracket

- Brass plated diecast bracket
- Adjustable end clip for tilting hand rails
- Projects 3" from wall

MP11130 (U 11297)

Inner pack: 2 Master pack: 10



Plate Screw

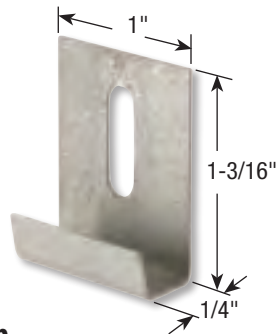
- 6-32 x 1/2"
- Switch plate and wall plug cover attaching screw

MP9015 (U 9015 ivory)

Inner pack: 100 Master pack: 10

MP9191 (U 9191 white)

Inner pack: 100 Master pack: 10

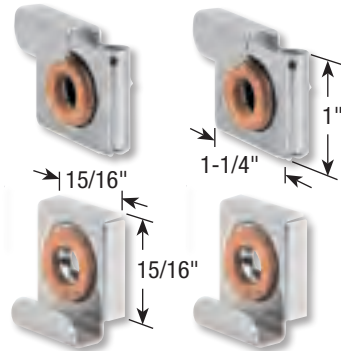


Mirror Clip

- Stainless steel
- Adjustable
- Includes screws
- Designed to hold mirror securely to wall
- Use at top and bottom of mirror

MP9254 (U 9254)

Inner pack: 25 Master pack: 10

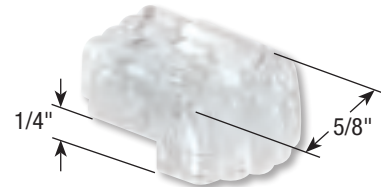


1/4" Mirror Clip (4 piece set)

- Chrome plated steel
- Adjustable mirror mounting set
- Cork mirror pads
- Spring loaded

MP10246 (U 10246)

Inner pack: 1 Master pack: 10

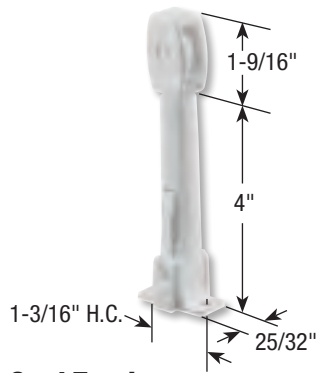


Mirror Clip

- Clear plastic
- Includes screws and anchors

MP9003 (U 9003)

Inner pack: 50 Master pack: 10



Drapery Cord Tension Spring & Pulley

- Spring loaded
- Nylon roller
- Provides proper cord tension

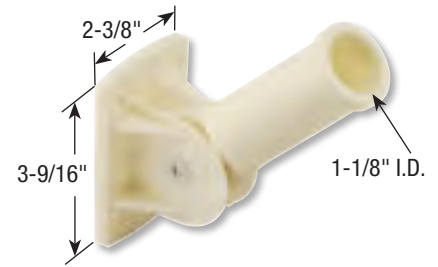
MP9252 (U 9252)
Inner pack: 5 Master pack: 10



#4 Traverse Cord

- White
- 100 yards
- 1/8" O.D

MP9253 (U 9253)
Inner pack: 1



Flag Pole Holder

- Off-white plastic
- Multi-position adjustability
- Holds flag or banner pole up to 1-1/8"
- Weather-resistant, durable plastic construction

U 9375
Inner pack: 1 Master pack: 6

Utility Shelf Support

- Steel
- Enamel finish

MP11411 (Z 11411 - 5" high x 6" long, gray)
Inner pack: 2 Master pack: 10

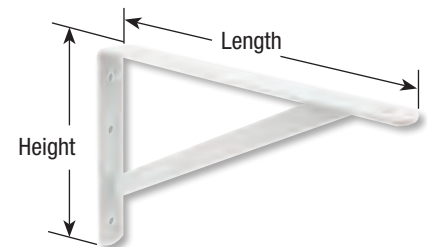
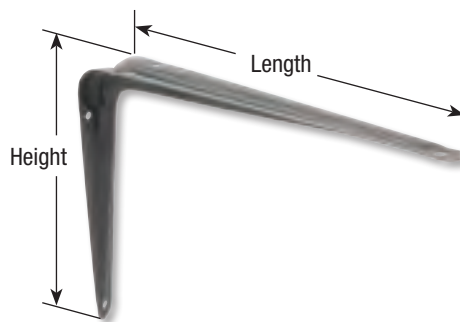
MP11285 (Z 11285 - 8" high x 10" long, gray)
Inner pack: 2 Master pack: 10

MP11287 (Z 11287 - 10" high x 12" long, gray)
Inner pack: 2 Master pack: 10

MP11415 (Z 11415 - 12" high x 14" long, gray)
Inner pack: 2 Master pack: 10

MP11413 (Z 11413 - 6" high x 8" long, white)
Inner pack: 2 Master pack: 10

MP9233 (U 9233 - 10" high x 12" long, white)
Inner pack: 2 Master pack: 10

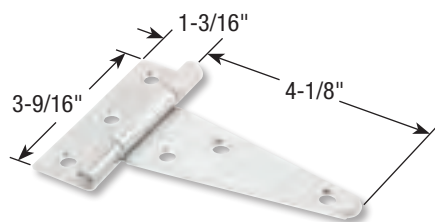


Heavy Duty Shelf Support

- Steel
- White

MP11292-2 (Z 11292 - 8" high x 12" long)
Inner pack: 2 Master pack: 10

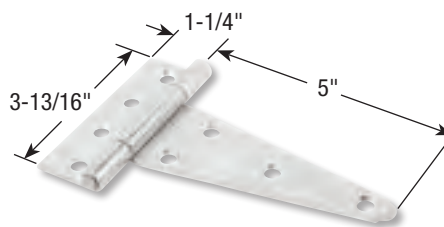
MP11294-2 (Z 11294 - 10" high x 16" long)
Inner pack: 2 Master pack: 10



Tee Hinge

- Heavy duty zinc

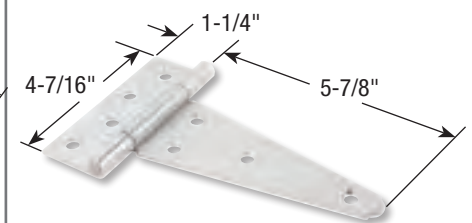
MP18670 (RG 18670)
Inner pack: 2 Master pack: 10



Tee Hinge

- Heavy duty zinc

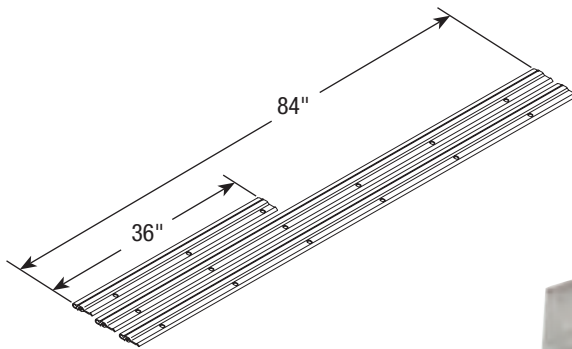
MP18671 (RG 18671)
Inner pack: 2 Master pack: 10



Tee Hinge

- Heavy duty zinc

MP18672 (RG 18672)
Inner pack: 2 Master pack: 10



Weatherstrip

- Aluminum & vinyl
- Adjustable
- For wood frame doors
- Vinyl seals over uneven surfaces
- Set includes 1-36" pc & 2-84" pcs, 2 sets per pack

MP4685 (J 4685 mill)

Inner pack: 1 Master pack: 10

MP4782 (J 4782 bronze)

Inner pack: 1 Master pack: 10



Facebook



YouTube

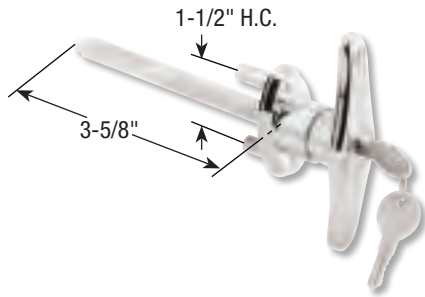


CONNECT
With Prime-Line
primeline.net



Twitter

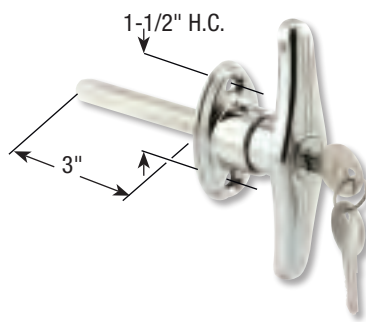




"T" Locking Handle

- Chrome plated zinc diecast construction
- Keyed
- 5/16" square shaft, 4" long

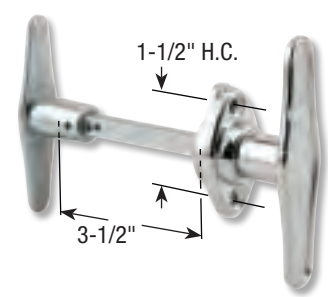
MP52169 (GD 52169)
 Inner pack: 1 Master pack: 10



"T" Locking Handle

- Chrome plated zinc diecast construction
- Keyed
- 5/16" square shaft, 3" long

MP52122 (GD 52122)
 Inner pack: 1 Master pack: 5



"T" Handle

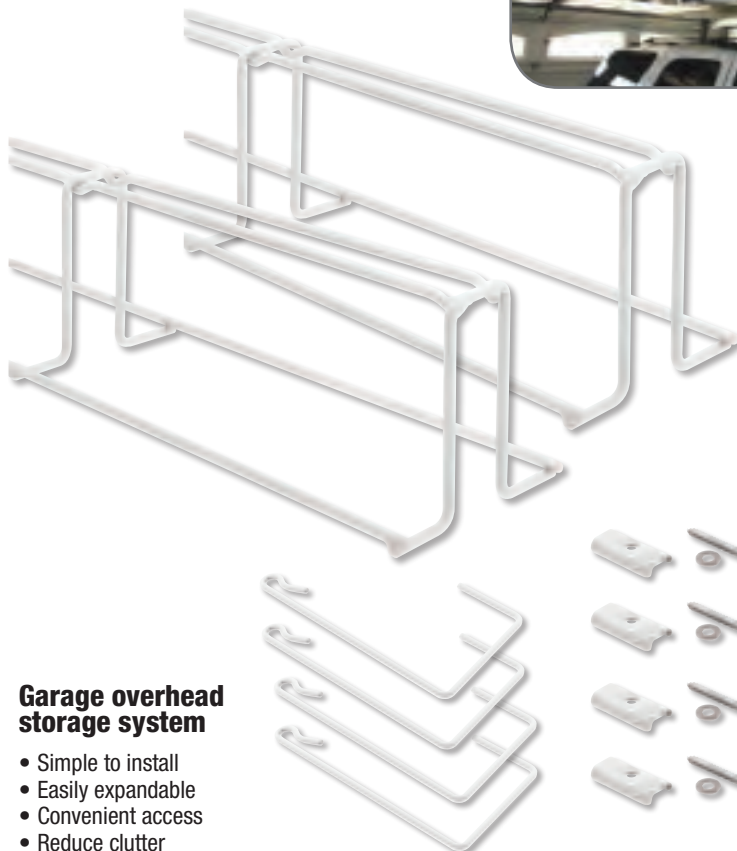
- Chrome plated diecast outside handle
- 5/16" square, 3" long shaft
- Used when locking cylinder is mounted separately

MP52121 (GD 52121)
 Inner pack: 1 Master pack: 5

New Item



Installed



Garage overhead storage system

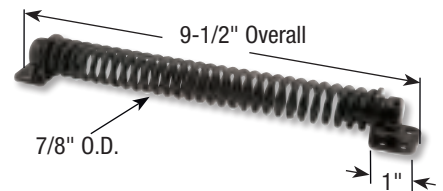
- Simple to install
- Easily expandable
- Convenient access
- Reduce clutter
- Access unused space
- Max Load for a pair of Tote Tracs is 100 lbs. (45.4 kg.)
- Great for use in garages, basements, closets & more

KD 16090 (white finish)
 Inner pack: 1 Master pack: 4



System Includes:

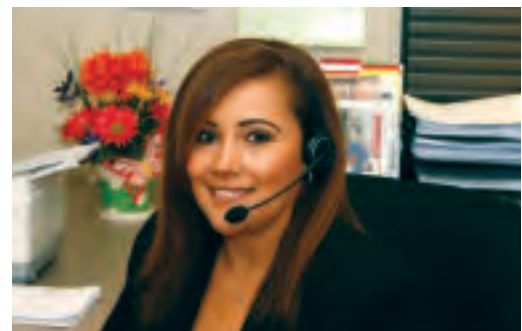
2 - Tracs	4 - Screw plates
4 - "J" Hooks	8 - Stabilizer brackets



8" Gate Spring

- Black finish
- Adjustable spring tension

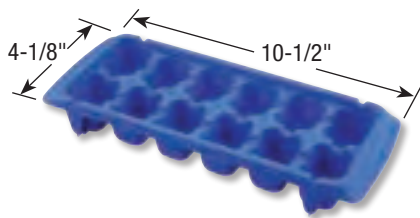
MP10525 (Z 10525)
 Inner pack: 1 Master pack: 10



SPECIAL ORDER

» If you don't see your part here, call...

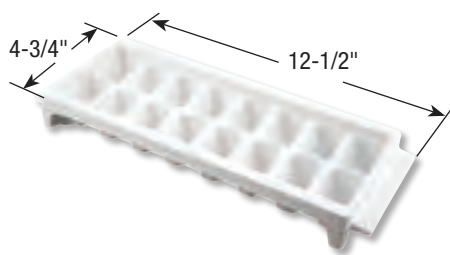
1.800.899.7799



Ice Cube Tray

- Economy
- Blue plastic
- Stackable

MP10513 (Z 10513)
Inner pack: 5 Master pack: 24



Ice Cube Tray

- Deluxe
- White plastic
- Stackable
- Crack resistant

MP10863 (Z 10863)
Inner pack: 2 Master pack: 56



Spray Bottle

- 32 oz.
- Professional grade
- Solvent resistant
- Graduated

MP10786 (Bottle with sprayer)
Inner pack: 2 Master pack: 5

MP10786-10 (Trigger sprayer only)
Inner pack: 10 Master pack: 10



1 oz. Appliance Touch-Up

- Touch-up glaze
- Brush applicator

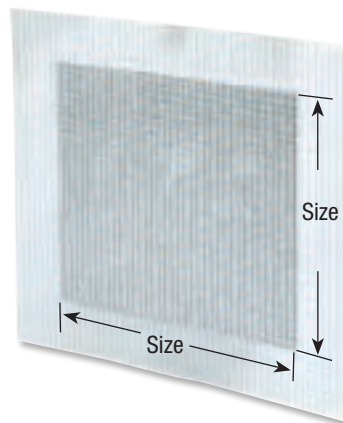
MP10511 (Z 10511 white)
Inner pack: 1 Master pack: 12

Wall Repair Patch

- Fiberglass mesh over metal
- Self-adhesive
- Extra thin and strong
- Use on plaster and wall board interior walls
- Easy to finish with wall board compound or like material

MP9282 (U 9282 - 4"x 4")
Inner pack: 5

MP9283 (U 9283 - 6"x 6")
Inner pack: 5



MP9284 (U 9284 - 8"x 8")
Inner pack: 3

MP9286 (U 9286 - 12"x 12")
Inner pack: 1 Master pack: 5

New Item



Cover Caps

- Self-Adhesive
- Easy to install
- 9/16 in. O.D.
- Excellent for covering screw holes

KD 16080 (53 textured, white caps)
Inner pack: 1 Master pack: 6

KD 16081 (53 textured, almond caps)
Inner pack: 1 Master pack: 6

KD 16082 (53 textured, black caps)
Inner pack: 1 Master pack: 6

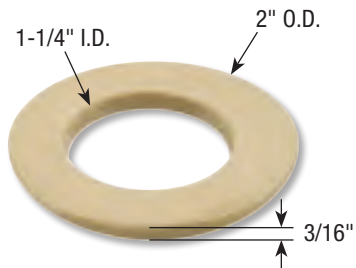


KD 16083 (53 smooth, maple caps)
Inner pack: 1 Master pack: 6

KD 16084 (53 Smooth, oak caps)
Inner pack: 1 Master pack: 6

KD 16088 (52 unfinished, pine caps)
Inner pack: 1 Master pack: 6





Rapid Ring Pre-Formed

- Pre-formed 100% USA made plumbers putty
- Fits all brands of pop-up's
- Saves time & money
- Less waste than a whole tub for a single pop-up installation

RP31000 (blister boxes in cutcase)
 Inner pack: 7 Master pack: 6

RP31001 (individual packs in cutcase)
 Inner pack: 1 Master pack: 40

Individual



Blister box



Cutcase



Repair Pro Packaging

Rapid Ring hermetically sealed plumber's putty installed.

Better



Pop-Up Assembly

- Rapid ring pre-installed
- 50/50 Construction, plastic tailpiece with metal top body and trim

RP31200CH (chrome)
 Inner pack: 1 Master pack: 16

RP31200SN (satin/brushed nickel)
 Inner pack: 1 Master pack: 16

RP31200OR (oil rubbed bronze)
 Inner pack: 1 Master pack: 16

RP31200PB (polished brass)
 Inner pack: 1 Master pack: 16

RP31200PN (polished nickel)
 Inner pack: 1 Master pack: 16

Pop-Up Lift Rod & Linkage

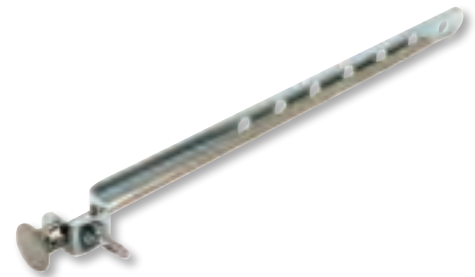
RP31226CH (chrome)
 Inner pack: 1

RP31226SN (satin/brushed nickel)
 Inner pack: 1

RP31226OR (oil rubbed bronze)
 Inner pack: 1

RP31226PB (polished brass)
 Inner pack: 1

RP31226PN (polished nickel)
 Inner pack: 1



Become a Distributor

» Visit our website or call...

primeline.net
1.800.255.3505



PLUMBING

**All Basket Strainers include
Rapid Ring Pre-Installed**
100% USA Made Plumbers Putty
Saves time & money
Less waste



Rapid Ring hermetically sealed plumbers putty installed

Basket Strainers (3-1/2 in. to 4 in.)

- Kitchen sink application
- 24 different styles
- 5 finishes (select styles)
- 3 product quality options - (Good, Better, Best) that fit your needs and budget

Benefits	Good	Better	Best
Plastic body	✓	✓	✓
Stainless steel body		✓	✓
Brass body			✓
Stainless steel basket	✓	✓	✓
Plastic basket	✓		
Rapid Ring Pre-installed	✓	✓	✓
Retail packaging	✓	✓	✓
Repair Pro packaging	✓	✓	✓
Plastic tail piece nut	✓	✓	
Zinc tail piece nut		✓	
Brass tail piece nut			✓

Good



Basket Strainer Assembly

- Rapid ring pre-installed
- White plastic basket with post
- Plastic body fits sinks up to 1/2 in. thick

RP32129CE (chrome)
Inner pack: 1 Master pack: 6

Good



Basket Strainer Assembly

- Rapid ring pre-installed
- Stainless steel basket with post
- Plastic body fits sinks up to 1/2 in. thick

RP32130CE (chrome)
Inner pack: 1 Master pack: 6

Better



Basket Strainer Assembly

- Rapid ring pre-installed
- Stainless steel basket with post
- Stainless steel body fits sinks up to 1/2 in. thick

RP32160CH (chrome)
Inner pack: 1 Master pack: 6

RP32160SN (satin/brushed nickel)
Inner pack: 1 Master pack: 6

RP32160OR (oil rubbed bronze)
Inner pack: 1 Master pack: 6

RP32160PB (polished brass)
Inner pack: 1 Master pack: 6

RP32160PN (polished nickel)
Inner pack: 1 Master pack: 6

Better



Basket Strainer Assembly

- Rapid ring pre-installed
- Stainless steel basket with spring lock post
- Stainless steel body fits sinks up to 1/2 in. thick

RP32161CH (chrome)
Inner pack: 1 Master pack: 6

Better



Basket Strainer Assembly

- Rapid ring pre-installed
- Stainless steel basket with long post
- Stainless steel body fits sinks up to 1/2 in. thick
- Galvanized steel pressure cup housing

RP32165CH (chrome)
Inner pack: 1 Master pack: 6

Better



Basket Strainer Assembly

- Rapid ring pre-installed
- Stainless steel basket with post
- Stainless steel body fits sinks up to 1 in. thick

RP32166CH (chrome)
Inner pack: 1 Master pack: 6

Better



Basket Strainer Assembly

- Rapid ring pre-installed
- Stainless steel basket with long spring lock post
- Stainless steel body fits sinks up to 1/2 in. thick
- Galvanized steel pressure cup housing

RP32170CH (chrome)
Inner pack: 1 Master pack: 6

Better



Basket Strainer Assembly

- Rapid ring pre-installed
- Stainless steel basket with post
- Stainless steel body fits sinks up to 1 in. thick
- Galvanized steel 3 screw rapid mount assembly

RP32171CH (chrome)
Inner pack: 1 Master pack: 6

Better



Basket Strainer Assembly

- Rapid ring pre-installed
- Stainless steel basket with spring lock post
- Stainless steel body fits sinks up to 1 in. thick
- Galvanized steel 3 screw rapid mount assembly

RP32172CH (chrome)
Inner pack: 1 Master pack: 6

RP32172SN (satin/brushed nickel)
Inner pack: 1 Master pack: 3

RP32172OR (oil rubbed bronze)
Inner pack: 1 Master pack: 6

Better



Basket Strainer Assembly

- Rapid ring pre-installed
- Stainless steel basket with spin & lock post
- Stainless steel body fits sinks up to 5/8 in. thick

RP32173CH (chrome)
Inner pack: 1 Master pack: 6

RP32173SN (satin/brushed nickel)
Inner pack: 1 Master pack: 6

RP32173OR (oil rubbed bronze)
Inner pack: 12 Master pack: 6

Better



Basket Strainer Assembly

- Rapid ring pre-installed
- Stainless steel basket with post
- Stainless steel body fits sinks up to 3/4 in. thick
- Galvanized steel pressure cup housing

RP32175CH (chrome)
Inner pack: 1 Master pack: 3

Better



Basket Strainer Assembly

- Rapid ring pre-installed
- Stainless steel basket with ball catch post
- Plastic body fits sinks up to 3/4 in. thick
- Stainless steel sink insert

RP32176CH (chrome)
Inner pack: 1 Master pack: 3

Better



Basket Strainer Assembly

- Rapid ring pre-installed
- Stainless steel basket with spring lock post
- Stainless steel body fits sinks up to 1/2 in. thick
- Galvanized steel pressure cup housing

RP32177CH (chrome)
Inner pack: 1 Master pack: 3

Better



Basket Strainer Assembly

- Rapid ring pre-installed
- Stainless steel basket with long ball catch post
- Plastic body fits sinks up to 5/8 in. thick
- Stainless steel sink insert

RP32178CH (chrome)
Inner pack: 1 Master pack: 3

Better



Basket Strainer Assembly

- Rapid ring pre-installed
- Stainless steel basket with spring lock post
- Stainless steel body fits sinks up to 5/8 in. thick
- Galvanized steel pressure cup housing

RP32179CH (chrome)
Inner pack: 1 Master pack: 3

Better



Basket Strainer Assembly

- Rapid ring pre-installed
- Stainless steel basket with plastic locking pedestal post
- Stainless steel body fits sinks up to 1/2 in. thick
- Galvanized steel pressure cup housing

RP32181CH (chrome)
Inner pack: 1 Master pack: 3

Better



Basket Strainer Assembly

- Rapid ring pre-installed
- Stainless steel grid wide flange
- Stainless steel body fits sinks up to 1/2 in. thick

RP32117CH (chrome)
Inner pack: 1 Master pack: 6

Best



Basket Strainer Assembly

- Rapid ring pre-installed
- Stainless steel basket with ball catch post
- Stainless steel body fits sinks up to 5/8 in. thick
- Solid brass tail piece nut & poly washer

RP32187CH (chrome)
Inner pack: 1 Master pack: 3

Best



Basket Strainer Assembly

- Rapid ring pre-installed
- Stainless steel basket with ball catch post
- Stainless steel body fits sinks up to 5/8 in. thick
- Solid brass tail piece nut & poly washer

RP32188CH (chrome)
Inner pack: 1 Master pack: 3

Best



Basket Strainer Assembly

- Rapid ring pre-installed
- Stainless steel basket with ball catch post
- Stainless steel body fits sinks up to 5/8 in. thick
- Galvanized steel 3 screw rapid mount assembly
- Solid brass tail piece nut & poly washer

RP32189CH (chrome)
Inner pack: 1 Master pack: 3

Best



Basket Strainer Assembly

- Rapid ring pre-installed
- Stainless steel basket with long ball catch post
- Stainless steel sink insert
- Stainless steel body fits sinks up to 1/2 in. thick
- Solid brass tail piece nut & poly washer

RP32191CH (chrome)
Inner pack: 1 Master pack: 6

Best



Basket Strainer Assembly

- Rapid ring pre-installed
- Stainless steel basket with stainless steel pedestal post
- Solid brass body fits sinks up to 3/4 in. thick
- Solid brass tail piece nut & poly washer

RP32192CH (chrome)
Inner pack: 1 Master pack: 6

Best



Basket Strainer Assembly

- Rapid ring pre-installed
- Stainless steel basket with deluxe drop down seal post
- Solid brass body fits sinks up to 1/2 in. thick
- Solid brass tail piece nut & poly washer

RP32193CH (chrome)
Inner pack: 1 Master pack: 6

Best



Basket Strainer Assembly

- Rapid ring pre-installed
- Stainless steel basket with spin & lock post
- Solid brass body fits sinks up to 3/4 in. thick
- Solid brass tail piece nut & poly washer

RP32195CH (chrome)
Inner pack: 1 Master pack: 6

RP32195SN (satin/brushed nickel)
Inner pack: 1 Master pack: 6

RP32195OR (oil rubbed bronze)
Inner pack: 1 Master pack: 6

RP32195PB (polished brass)
Inner pack: 1 Master pack: 6

RP32195PN (polished nickel)
Inner pack: 1 Master pack: 6

**All Basket Strainers include
Rapid Ring Pre-Installed**
100% USA Made Plumbers Putty
Saves time & money
Less waste



Basket Strainers
(1-7/8 in. to 2-1/4 in.)

- Bar sink application
- 4 different styles
- 2 finishes (select styles)



Repair Pro Packaging



Rapid Ring hermetically sealed
plumbers putty installed

Better



**Basket Strainer
Assembly**

- Rapid ring pre-installed
- Stainless steel junior duo basket
- Stainless steel body fits sinks up to 1-1/2 in. thick

RP32110CH (chrome)
Inner pack: 1 Master pack: 3

RP32110SN (satin/brushed nickel)
Inner pack: 1 Master pack: 3

Better



Basket Strainer Assembly

- Rapid ring pre-installed
- Stainless steel basket with rubber pedestal post
- Stainless steel body fits sinks up to 5/8 in. thick

RP32112CH (chrome)
Inner pack: 1 Master pack: 6

Better



**Basket Strainer
Assembly**

- Rapid ring pre-installed
- Rubber stopper with lift ring
- Stainless steel body fits sinks up to 5/8 in. thick

RP32113CH (chrome)
Inner pack: 1 Master pack: 6

Better



**Basket Strainer
Assembly**

- Rapid ring pre-installed
- Stainless steel grid
- Stainless steel body fits sinks up to 5/8 in. thick

RP32114CH (chrome)
Inner pack: 1 Master pack: 6

TOILET PARTITION Hardware

Originally established in 1975, we have been supplying hardware for installing and maintaining toilet partitions, in public restrooms, for over 30 years.

With over 1,000 items, our ever expanding inventory makes it possible to offer repair parts for all makes of toilet partitions.



Sentry
SUPPLY LLC

**All Disposal Flanges include
Rapid Ring Pre-Installed**

100% USA Made Plumbers Putty

Saves time & money

Less waste



Repair Pro Packaging

Rapid Ring hermetically sealed
plumbers putty installed

Disposal Flanges & Trim
(3-1/2 in. to 4 in.)

- 5 different styles
- 2 finishes (select styles)

Better



Disposal Flange Assembly

- Rapid ring pre-installed
- Stainless steel stopper with rubber seal
- 1-1/2 in. Deep stainless steel body

RP32120CH (chrome)
Inner pack: 1 Master pack: 6

Better



Disposal Flange Assembly

- Rapid ring pre-installed
- Stainless steel strainer basket with rubber seal
- 1-1/2 in. Deep stainless steel body

RP32121CH (chrome)
Inner pack: 1 Master pack: 6

Better



Disposal Flange Assembly

- Rapid ring pre-installed
- Stainless steel strainer basket with rubber seal
- 2-1/4 in. Deep stainless steel body

RP32122CH (chrome)
Inner pack: 1 Master pack: 6

Better



Disposal Flange Assembly

- Rapid ring pre-installed
- Stainless steel strainer basket with rubber seal
- 2-1/4 in. Deep stainless steel dual size body

RP32123CH (chrome)
Inner pack: 1 Master pack: 6

Better



Disposal Flange Assembly

- Rapid ring pre-installed
- Plastic strainer basket
- Plastic trim body

RP32125WH (white)
Inner pack: 1 Master pack: 6

Items available on primeline.net




Security

MP4000..... 6	MP4228..... 7	MP5035..... 14	FA-1620 19	FA-3040 19
MP4002..... 6	MP4234..... 7	MP5036..... 14	FA-1630 19	FA-3110 19
MP4006..... 6	MP4235..... 7	MP5037..... 14	FA-1640 19	FA-3120 19
MP4011-5..... 7	MP4248..... 13	MP5038..... 14	FA-1710 19	FA-3130 19
MP4013-1..... 7	MP4269..... 10	MP5039..... 14	FA-1720 19	FA-3140 19
MP4013-HP..... 7	MP4280-5..... 14	MP5046..... 8	FA-1730 19	FA-3210 19
MP4015..... 10	MP4281-5..... 14	MP5054..... 13	FA-1740 19	FA-3220 19
MP4016-2..... 9	MP4282-5..... 14	MP5056..... 13	FA-1810 19	FA-3230 19
MP4019-5..... 7	MP4283-5..... 14	MP5057..... 13	FA-1820 19	FA-3240 19
MP4020-5..... 8	MP4284-5..... 14	MP5058..... 13	FA-1830 19	FA-3310 19
MP4030..... 6	MP4285-5..... 14	MP5059..... 13	FA-1840 19	FA-3320 19
MP4034..... 6	MP4286-5..... 14	MP9493..... 10	FA-1910 19	FA-3330 19
MP4036..... 6	MP4287-5..... 14	MP9494..... 10	FA-1920 19	FA-3340 19
MP4036-10..... 6	MP4288-5..... 14	MP10304..... 9	FA-1930 19	FA-3410 19
MP4036-100..... 6	MP4291..... 13	MP10308..... 8	FA-1940 19	FA-3420 19
MP4036-4..... 6	MP4292..... 13	MP10312-2..... 8	FA-2010 19	FA-3430 19
MP4042..... 9	MP4293..... 13	MP10361..... 9	FA-2020 19	FA-3440 19
MP4048..... 13	MP4294..... 13	MP10386..... 9	FA-2030 19	FA-3510 19
MP4051..... 11	MP4295..... 13	S 4181 10	FA-2040 19	FA-3520 19
MP4053..... 11	MP4296..... 13	S 4788 8	FA-2110 19	FA-3530 19
MP4054..... 12	MP4298..... 9	S 4788PB 8	FA-2120 19	FA-3540 19
MP4055..... 11	MP4312..... 11	S 4789 8	FA-2130 19	FA-3610 19
MP4059-1..... 8	MP4315..... 10	S 4789PB 8	FA-2140 19	FA-3620 19
MP4065..... 7	MP4318..... 11	S 4790 8	FA-2210 19	FA-3630 19
MP4066..... 7	MP4321..... 10	S 4790PB 8	FA-2220 19	FA-3640 19
MP4071..... 7	MP4322..... 10	S 4791 8	FA-2230 19	FA-3710 19
MP4076..... 6	MP4325..... 6	S 4791PB 8	FA-2240 19	FA-3720 19
MP4090..... 7	MP4353..... 9	S 4792 8	FA-2310 19	FA-3730 19
MP4106..... 13	MP4365..... 7	S 4792PB 8	FA-2320 19	FA-3740 19
MP4107..... 13	MP4366..... 8	S 4793 8	FA-2330 19	FA-3810 20
MP4108..... 13	MP4377..... 10	S 4793PB 8	FA-2340 19	FA-3820 20
MP4109..... 13	MP4395..... 9	U 10826 9	FA-2410 19	FA-3830 20
MP4110-5..... 14	MP4431..... 10	U 10827 9	FA-2420 19	FA-3840 20
MP4111-5..... 14	MP4516..... 7	U 11126 9	FA-2430 19	FA-3910 20
MP4112-5..... 14	MP4517..... 7	U 11315 9	FA-2440 19	FA-3920 20
MP4113-5..... 14	MP4526..... 12	U 11316 9	FA-2510 19	FA-3930 20
MP4114-5..... 14	MP4530..... 12	U 11317 9	FA-2520 19	FA-3940 20
MP4115-5..... 14	MP4531..... 12	U 11318 9	FA-2530 19	FA-4010 20
MP4116-5..... 14	MP4532..... 12	U 11325 9	FA-2540 19	FA-4020 20
MP4117-5..... 14	MP4533S..... 12		FA-2610 19	FA-4030 20
MP4118-5..... 14	MP4571..... 11	Window	FA-2620 19	FA-4040 20
MP4120-1..... 8	MP4573..... 12	FA-1210 19	FA-2630 19	FA-4110 20
MP4121-1..... 8	MP4574..... 6	FA-1220 19	FA-2640 19	FA-4120 20
MP4122..... 8	MP4578..... 7	FA-1230 19	FA-2710 19	FA-4130 20
MP4124..... 7	MP4605..... 7	FA-1240 19	FA-2720 19	FA-4140 20
MP4130..... 11	MP4616..... 8	FA-1310 19	FA-2730 19	FA-4220 20
MP4140..... 12	MP4640S..... 11	FA-1320 19	FA-2740 19	FA-4230 20
MP4152..... 9	MP4710..... 11	FA-1330 19	FA-2810 19	FA-4240 20
MP4154-1..... 7	MP4711..... 11	FA-1340 19	FA-2820 19	FH-1510 22
MP4178..... 7	MP4742..... 9	FA-1410 19	FA-2830 19	FH-1520 22
MP4179..... 8	MP4743..... 9	FA-1420 19	FA-2840 19	FH-1530 22
MP4180..... 10	MP4944..... 12	FA-1430 19	FA-2910 19	FH-1610 22
MP4208..... 13	MP4945..... 13	FA-1440 19	FA-2920 19	FH-1620 22
MP4213..... 8	MP4946..... 12	FA-1510 19	FA-2930 19	FH-1630 22
MP4214..... 8	MP5031..... 14	FA-1520 19	FA-2940 19	FH-1710 22
MP4215..... 8	MP5032..... 14	FA-1530 19	FA-3010 19	FH-1720 22
MP4220-1..... 7	MP5033..... 14	FA-1540 19	FA-3020 19	FH-1730 22
	MP5034..... 14	FA-1610 19	FA-3030 19	FH-1810 22

INDEX

Part Number To Page Number

Items available on primeline.net

FH-1820.....	22	FJ-2430.....	22	MP2549.....	16	MP7723-50.....	24	MP1001.....	28
FH-1830.....	22	FJ-2520.....	22	MP2554.....	15	MP7724-50.....	25	MP1004.....	28
FH-1910.....	22	FJ-2530.....	22	MP2570.....	15	MP7725-50.....	25	MP1005.....	28
FH-1920.....	22	FJ-2620.....	22	MP2571.....	15	MP7726-50.....	25	MP1006.....	28
FH-1930.....	22	FJ-2630.....	22	MP2574.....	15	MP7727-50.....	24	MP1007.....	28
FH-2010.....	22	FJ-2720.....	22	MP2589.....	15	MP7728-50.....	24	MP1014.....	28
FH-2020.....	22	FJ-2730.....	22	MP2590.....	15	MP7729-50.....	24	MP1018.....	28
FH-2030.....	22	FJ-2820.....	22	MP2598.....	16	MP7794-50.....	25	MP1034.....	29
FH-2120.....	22	FJ-2830.....	22	MP2599.....	16	MP7866.....	24	MP1043.....	29
FH-2130.....	22	FJ-2920.....	22	MP2627.....	16	MP7871-50.....	24	MP1045.....	29
FH-2220.....	22	FJ-2930.....	22	MP2628.....	16	MP7916.....	26	MP1055.....	28
FH-2230.....	22	FJ-3020.....	22	MP2644.....	15	MP7946.....	25	MP1058.....	28
FH-2320.....	22	FJ-3030.....	22	MP3004.....	16	MP8010.....	25	MP1067.....	29
FH-2330.....	22	FJ-3120.....	22	MP3038.....	16	MP8095-5.....	26	MP1069.....	29
FH-2420.....	22	FJ-3130.....	22	MP3089.....	17	MP8096-5.....	26	MP1073.....	28
FH-2430.....	22	FJ-3220.....	22	MP3502.....	17	MP14035.....	24	MP1095.....	28
FH-2520.....	22	FJ-3230.....	22	MP3505.....	17	MP14037.....	24	MP1107.....	28
FH-2530.....	22	FJ-3320.....	22	MP3508.....	17	MP14038.....	24	MP1131.....	28
FH-2620.....	22	FJ-3420.....	22	MP3511.....	17	MP14055.....	24	MP1189.....	29
FH-2630.....	22	FJ-3520.....	22	MP3517.....	17	MP14056.....	24	MP1225.....	29
FH-2720.....	22	FJ-3620.....	22	MP3523.....	17	MP14071.....	24	MP1502.....	29
FH-2730.....	22	FJ-3720.....	22	MP3532.....	17	MP14073.....	24	MP1513.....	30
FH-2820.....	22	FJ-3820.....	22	MP3534-2.....	17	MP14074.....	24	MP1515.....	29
FH-2830.....	22	FJ-3920.....	22	MP3686.....	17	MP14075.....	24	MP1518.....	30
FH-2920.....	22	FL-1820.....	23	MP3754.....	21	MP14089.....	24	MP1523.....	30
FH-2930.....	22	FL-1920.....	23	MP3758-2.....	21	MP14090.....	24	MP1525.....	30
FH-3020.....	22	FL-2020.....	23	MP3785.....	21	MP14091.....	24	MP1532.....	31
FH-3030.....	22	FL-2120.....	23	MP3786.....	21	MP14138.....	25	MP1533.....	31
FH-3120.....	22	FL-2220.....	23	MP3788.....	21	P 8753.....	27	MP1535.....	30
FH-3130.....	22	FL-2320.....	23	MP3838.....	21	P 8754.....	27	MP1551.....	31
FH-3220.....	22	FL-2420.....	23	MP3897-2.....	21	P 8755.....	27	MP1559.....	30
FH-3230.....	22	FL-2520.....	23			P 8756.....	27	MP1562.....	30
FH-3320.....	22	FL-2620.....	23	Screening 		P 8757.....	27	MP1563.....	30
FH-3420.....	22	FL-2720.....	23	MP5503.....	26	P 8758.....	27	MP1579.....	31
FH-3520.....	22	FL-2820.....	23	MP5506-50.....	26	P 8759.....	27	MP1592.....	30
FH-3620.....	22	FL-2920.....	23	MP5509-50.....	26	P 8760.....	27	MP1603.....	31
FH-3720.....	22	FL-3020.....	23	MP5525.....	26	P 8761.....	27	MP1683.....	31
FH-3820.....	22	FM-1820.....	23	MP5541.....	26	P 8762.....	27	MP1723.....	30
FH-3920.....	22	FM-1920.....	23	MP5566-50.....	26	P 8763.....	27	MP1759.....	30
FJ-1520.....	22	FM-2020.....	23	MP5577-50.....	26	P 8764.....	27	MP1765.....	29
FJ-1530.....	22	FM-2120.....	23	MP5591-50.....	24	T 8751.....	27	MP2000.....	32
FJ-1620.....	22	FM-2220.....	23	MP5592-50.....	25	T 8752.....	27	MP2009.....	31
FJ-1630.....	22	FM-2320.....	23	MP5619.....	24	T 8753.....	27	MP2013.....	31
FJ-1720.....	22	FM-2420.....	23	MP7503.....	25	T 8754.....	27	MP2014.....	31
FJ-1730.....	22	FM-2520.....	23	MP7505.....	25	T 8755.....	27	MP2079.....	31
FJ-1820.....	22	FM-2620.....	23	MP7508.....	25	T 8756.....	27	MP2082.....	32
FJ-1830.....	22	FM-2720.....	23	MP7514.....	26	T 8757.....	27	MP2094-2.....	32
FJ-1920.....	22	FM-2820.....	23	MP7560.....	25	T 8758.....	27	MP2097.....	32
FJ-1930.....	22	FM-2920.....	23	MP7565.....	25	T 8759.....	27		
FJ-2020.....	22	FM-3020.....	23	MP7569.....	25	T 8760.....	27	Screen Door 	
FJ-2030.....	22	MP2505.....	16	MP7573.....	25	T 8761.....	27	MP108.....	33
FJ-2120.....	22	MP2509.....	15	MP7580.....	25	T 8762.....	27	MP109.....	33
FJ-2130.....	22	MP2510.....	15	MP7581.....	25			MP111.....	33
FJ-2220.....	22	MP2511.....	15	MP7718-50.....	24	Patio Door 		MP122.....	33
FJ-2230.....	22	MP2512.....	15	MP7719-50.....	24	4189WH.....	31	MP127.....	34
FJ-2320.....	22	MP2532-2.....	15	MP7720-50.....	24	4189WH-6.....	31	MP139.....	33
FJ-2330.....	22	MP2533.....	15	MP7721-50.....	24	4189WH-8.....	31	MP142.....	33
FJ-2420.....	22	MP2548.....	16	MP7722-50.....	24	MP1000.....	28	MP148.....	34

Items available on primeline.net

MP150.....	33	MP6500.....	38	MP6707.....	44	MP7130.....	50	J 5018.....	59
MP164.....	34	MP6501.....	38	MP6717.....	38	MP7133.....	50	J 5019.....	59
MP165.....	33	MP6502.....	39	MP6729.....	46	MP7136.....	51	MP2232-5.....	60
MP186.....	33	MP6503.....	39	MP6730.....	45	MP7137.....	49	MP2233.....	60
MP512.....	34	MP6504.....	38	MP6733.....	46	MP7141-5.....	49	MP2234.....	60
MP513.....	34	MP6505.....	38	MP6754-5.....	45	MP7144.....	49	MP2235.....	61
MP515.....	34	MP6508.....	38	MP6755.....	45	MP7145.....	50	MP2236.....	61
MP522.....	34	MP6509.....	38	MP6771.....	48	MP7147.....	49	MP2301.....	60
MP541.....	34	MP6531.....	48	MP6773.....	48	MP7148-5.....	49	MP2305.....	61
MP551.....	35	MP6538.....	45	MP6775.....	41	MP7174.....	51	MP2461.....	61
MP569.....	35	MP6539.....	44	MP6776.....	46	MP7210.....	49	MP4523.....	55
MP570.....	34	MP6543.....	44	MP6777.....	46	MP7211.....	49	MP4533.....	55
MP575.....	35	MP6544.....	42	MP6778.....	46	MP7212.....	49	MP4542-1.....	56
MP604.....	35	MP6545.....	43	MP6790-2.....	39	MP7213.....	49	MP4543.....	55
MP607.....	35	MP6546.....	43	MP6796.....	40	MP7214.....	49	MP4544.....	56
MP610.....	34	MP6548.....	39	MP6827.....	45	MP7240.....	49	MP4545.....	56
MP631.....	35	MP6549.....	41	MP6841.....	39	MP7257.....	49	MP4550-1.....	55
MP636.....	34	MP6550.....	39	MP6844-4.....	44	MP7340.....	51	MP4551.....	55
MP638.....	35	MP6551.....	41	MP6846-5.....	40	MP9049.....	50	MP4552.....	55
MP639.....	35	MP6552.....	39	MP6869.....	40	MP9051.....	51	MP4554.....	56
MP644.....	34	MP6553.....	41	MP6871.....	45	MP9052.....	51	MP4555.....	56
MP704.....	35	MP6555.....	41	MP6920.....	46	MP9053.....	51	MP4557.....	55
		MP6559.....	41	MP6942.....	40	MP9200.....	50	MP4571J.....	55
Storm Door		MP6560-4.....	40	MP7048.....	40	MP9201.....	50	MP4572.....	55
KC10HD.....	37	MP6562.....	41	MP7050.....	40	MP9202.....	50	MP4579.....	59
KC11US.....	37	MP6563-4.....	41	MP7191.....	45			MP4580.....	59
KC16HD.....	37	MP6568.....	40	MP7192.....	45	Tub & Shower		MP4581.....	59
KC17HD.....	37	MP6582.....	42	MP7193.....	45	193680.....	53	MP4585.....	60
KC18US.....	37	MP6583.....	43	MP7195.....	45	193681.....	53	MP4592.....	56
KC30US.....	37	MP6598.....	39	MP7209.....	40	650-1010.....	53	MP4602.....	56
KC31US.....	37	MP6602.....	39	MP7331-1.....	47	M 6258.....	53	MP4616J.....	59
KC32HD.....	37	MP6603.....	41	MP7372.....	45	M 6264.....	53	MP4617.....	59
KC50HD.....	37	MP6606.....	44	MP11285.....	40	MP2549.....	52	MP4618.....	59
KC57US.....	37	MP6611.....	42	MP11287.....	40	MP6000-2.....	52	MP4619.....	59
KC60HD.....	37	MP6612.....	43	MP11411.....	40	MP6001-2.....	52	MP4620.....	59
KC61US.....	37	MP6613.....	44	MP11413.....	40	MP6002.....	52	MP4640.....	59
KC67US.....	37	MP6614.....	42	MP11415.....	40	MP6003.....	52	MP4649-1.....	55
MP5004.....	36	MP6615.....	47	N 6875.....	38	MP6053.....	52	MP4685.....	64
MP5006.....	36	MP6616.....	47	N 6876.....	38	MP6058.....	52	MP4702.....	59
MP5007.....	36	MP6630.....	39	N 6877.....	38	MP6067.....	52	MP4703.....	59
MP5026.....	36	MP6637.....	46	N 6879.....	38	MP6085.....	53	MP4704.....	59
MP5067.....	36	MP6638.....	46	N 6880.....	38	MP6086.....	53	MP4708.....	59
MP5070.....	36	MP6639.....	46	N 6881.....	38	MP6090.....	52	MP4718.....	59
MP5071.....	36	MP6640-4.....	44	N 7549.....	48	MP6093.....	52	MP4719.....	59
MP5073.....	36	MP6648.....	38	N 7550.....	48	MP6942.....	52	MP4753.....	59
MP5108.....	36	MP6649.....	38	N 7551.....	48			MP4754.....	59
MP5116.....	36	MP6656-2.....	45	N 7555.....	48	Builder's		MP4760.....	59
RG 18704.....	36	MP6672-4.....	43	N 7556.....	48	FAL2BR.....	61	MP4782.....	64
		MP6673-4.....	43	N 7557.....	48	FAL2BZ.....	61	MP4837.....	59
		MP6674.....	44			FAL2SN.....	61	MP4838.....	59
Closet Door		MP6696.....	43	Cabinet		J 4768.....	59	MP4843-1.....	56
161791.....	38	MP6697.....	44	MP6756.....	50	J 4769.....	59	MP4845.....	56
161792.....	38	MP6698.....	40	MP7080.....	51	J 4960.....	59	MP4846.....	56
161793.....	38	MP6699.....	40	MP7081.....	51	J 4961.....	59	MP4848.....	55
161794.....	42	MP6700.....	43	MP7082.....	50	J 4962.....	59	MP4849.....	55
161795.....	42	MP6701.....	43	MP7083.....	50	J 4965.....	59	MP4907-1.....	55
161796.....	42	MP6703.....	42	MP7084.....	50	J 4966.....	59	MP4910-1.....	55
161797.....	42	MP6704.....	42	MP7125.....	49	J 4967.....	59	MP4914.....	62
161850.....	38								

INDEX

Part Number To Page Number

Items available on primeline.net

MP5037J.....	56	MP9513.....	60	KD 16081.....	66	RP32176CH.....	69
MP9000.....	54	MP9514.....	60	KD 16082.....	66	RP32177CH.....	69
MP9003.....	62	MP9515-2.....	60	KD 16083.....	66	RP32178CH.....	69
MP9015.....	62	MP9516-2.....	60	KD 16084.....	66	RP32179CH.....	69
MP9018.....	54	MP9540.....	57	KD 16088.....	66	RP32181CH.....	70
MP9019.....	54	MP9541.....	57	MP9282.....	66	RP32187CH.....	70
MP9020.....	54	MP9542.....	57	MP9283.....	66	RP32188CH.....	70
MP9021.....	54	MP9543.....	57	MP9284.....	66	RP32189CH.....	70
MP9022.....	54	MP9544.....	57	MP9286.....	66	RP32191CH.....	70
MP9026-5.....	55	MP9545.....	57	MP10511.....	66	RP32192CH.....	70
MP9028.....	55	MP9546.....	57	MP10513.....	66	RP32193CH.....	70
MP9029-2.....	56	MP9551.....	57	MP10786.....	66	RP32195CH.....	70
MP9037.....	54	MP9552.....	57	MP10786-10.....	66	RP32195OR.....	70
MP9038.....	54	MP9553.....	57	MP10863.....	66	RP32195PB.....	70
MP9039.....	54	MP9554.....	57			RP32195PN.....	70
MP9042.....	54	MP10066.....	58	Plumbing		RP32195SN.....	70
MP9043.....	54	MP10067.....	58	RP31000.....	67		
MP9044.....	54	MP10068.....	58	RP31001.....	67		
MP9045.....	55	MP10069.....	58	RP31200CH.....	67		
MP9046.....	62	MP10112-5.....	54	RP31200OR.....	67		
MP9097.....	55	MP10115.....	54	RP31200PB.....	67		
MP9129.....	58	MP10116.....	54	RP31200PN.....	67		
MP9130.....	58	MP10118-5.....	54	RP31200SN.....	67		
MP9134.....	54	MP10127.....	54	RP31226CH.....	67		
MP9136.....	54	MP10132.....	62	RP31226OR.....	67		
MP9140.....	56	MP10246.....	62	RP31226PB.....	67		
MP9158.....	54	MP10344.....	58	RP31226PN.....	67		
MP9158-50.....	54	MP10345.....	58	RP31226SN.....	67		
MP9159.....	54	MP10346.....	58	RP32110CH.....	71		
MP9160.....	54	MP10385.....	61	RP32110SN.....	71		
MP9185.....	56	MP10403.....	54	RP32112CH.....	71		
MP9186.....	56	MP10498-5.....	55	RP32113CH.....	71		
MP9191.....	62	MP10852.....	57	RP32114CH.....	71		
MP9205.....	62	MP10857.....	58	RP32117CH.....	70		
MP9210.....	55	MP10866.....	57	RP32120CH.....	72		
MP9233.....	63	MP10867.....	57	RP32121CH.....	72		
MP9243.....	56	MP11130.....	62	RP32122CH.....	72		
MP9244.....	56	MP11285.....	63	RP32123CH.....	72		
MP9252.....	63	MP11287.....	63	RP32125WH.....	72		
MP9253.....	63	MP11292-2.....	63	RP32129CE.....	68		
MP9254.....	62	MP11294-2.....	63	RP32130CE.....	68		
MP9264.....	56	MP11411.....	63	RP32160CH.....	68		
MP9265.....	56	MP11413.....	63	RP32160OR.....	68		
MP9267.....	56	MP11415.....	63	RP32160PB.....	68		
MP9268.....	56	MP18670.....	63	RP32160PN.....	68		
MP9270.....	56	MP18671.....	63	RP32160SN.....	68		
MP9271.....	56	MP18672.....	63	RP32161CH.....	68		
MP9422.....	61	U 9375.....	63	RP32165CH.....	68		
MP9425.....	62			RP32166CH.....	68		
MP9426.....	61	Garage Door		RP32170CH.....	69		
MP9427.....	61	KD 16090.....	65	RP32171CH.....	69		
MP9480.....	61	MP10525.....	65	RP32172CH.....	69		
MP9484.....	60	MP52121.....	65	RP32172OR.....	69		
MP9490.....	57	MP52122.....	65	RP32172SN.....	69		
MP9500.....	60	MP52169.....	65	RP32173CH.....	69		
MP9510.....	60			RP32173OR.....	69		
MP9511.....	60	Sundry		RP32173SN.....	69		
MP9512.....	60	KD 16080.....	66	RP32175CH.....	69		

WE'RE HERE TO HELP



Window
Hardware



Patio Door
Hardware



Restroom
Partition
Hardware

primeline.net

800-899-7799

PRIME-LINE[®]

26950 San Bernardino Ave., Redlands, CA 92374
(800) 899-7799 • FAX - (909) 473-1156

primeline.net

