

Kwikset



SMARTCODE 916

TOUCHSCREEN ELECTRONIC DEADBOLT



The SmartCode 916 features a capacitive touchscreen with Kwikset's patented SecureScreen™ technology to prevent code detection from fingerprints on the touchscreen. The contemporary design complements homes with a modern décor.

Features

- New contemporary design
- 10 digit capacitive touchscreen with one touch locking
- Motorized deadbolt - enables true remote locking and unlocking
- SecureScreen™ - helps to ensure user codes cannot be identified by examining fingerprints on screen
- Sleek metal design for enhanced quality

User Codes

- Up to 30 customizable user access codes for family & guests
- Mastercode feature for improved user access code management

Connected Benefits

- Lock & Unlock your doors from anywhere
- View lock status and receive notifications of your lock's activity
- Connect to other devices in the home and create scenes driven by the door lock

Consult your system provider to learn more about your connected benefits

THE LEADER IN RESIDENTIAL SECURITY

Specifications

Function	Single Cylinder Deadbolt
Door Prep	2 1/8" diameter face hole & 1" diameter latch hole
Backset	Adjustable 2 3/8" or 2 3/4"
Door Thickness	1 3/8" - 2 1/8" automatic adjustment
Cylinder	SmartKey® Re-key Technology
Faceplates	1" x 2 1/4" round corner standard
Strikes	Round corner strike 2 3/4" x 2 1/8"
Latch	Round corner adjustable 2 3/8" x 2 3/4"
Bolt	1" throw, steel deadbolt
Door Handing	Reversible
Wireless Protocol	Z-Wave 500; lock complies with Z-Wave standard of open air, line of sight transmission of 160 feet or more. Compliant with FCC Part 15. Industry Canada. *Range may vary depending on radio frequency environment. Work with your home control platform to optimize range

Easy Installation

- Replaces existing door hardware with just a screwdriver
- No hard wiring needed
- Operates on 4 AA batteries that will last for approximately 1 year

Finishes



99160-016
916CNT ZW500 15 RCALFD
Satin Nickel **15**



99160-017
916CNT ZW500 11P RCALFD
Venetian Bronze **11P**

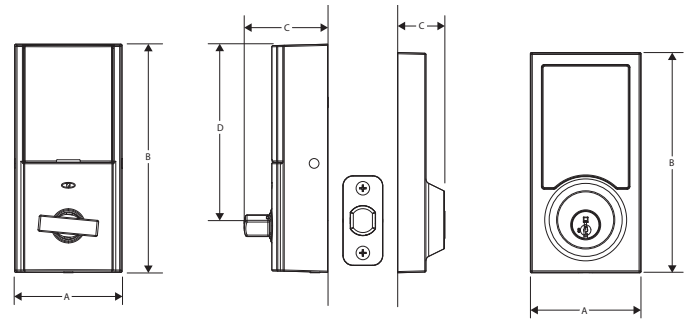


99160-018
916CNT ZW500 26 RCALFD
Polished Chrome **LO3**

FINISH AND
LIFETIME WARRANTY
MECHANICAL
ONE YEAR
ELECTRONIC WARRANTY



Dimensions



Design	A	B	C	D
Interior	2 11/16" (68.6 mm)	5 3/4" (145.8 mm)	2 3/32" (53.3 mm)	4 9/16" (116.1 mm)
Exterior	2 25/32" (70.7 mm)	5 17/32" (140.7 mm)	1 3/16" (29.8 mm)	---

Innovative Security

- BHMA Grade 2 certified
- 20 Minute fire rating - UL certified
- Full 128-bit encryption security
- Featuring Smartkey Security™
- Revolutionary tapered deadbolt design—enables misaligned doors to lock without pulling and pushing your door shut

Kwikset

kwikset.com/wirelesslocks • 866-863-6584 • connected@kwikset.com

© 2018 Spectrum Brands, Inc. Kwikset is a trademark of Spectrum Brands, Inc. Lake Forest, CA 92610 • 249754-KW 2/18