



4700 W. 160th St.
Cleveland, OH 44135
PH: 800-321-9532
FX: 800-321-9535
www.oatey.com

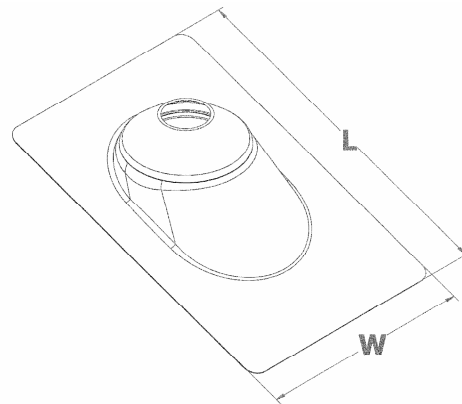
TECHNICAL SPECIFICATION

**ALL-FLASH® HIGH-RISE®
THERMOPLASTIC BASE
NO-CALK®
ROOF FLASHINGS**



Engineering Specification: Oatey All-Flash High-Rise Thermoplastic No-Calk Roof Flashings can be used in commercial and residential applications where a watertight seal for roof penetrations around the plumbing vent pipe is required. High-Rise Roof Flashings have a larger draw than standard roof flashings and are ideal for steep pitched roofs.

Job Reference



(All dimensions in inches)

- ◆ Roof Flashing slides over DWV pipe for pitch to 60°
- ◆ Patented All-Flash collar has tear-away ring allowing flashing to seal various pipe diameters
- ◆ Non-fading, non-cracking rigid black thermoplastic base
- ◆ Non-fading sealing collar
- ◆ Approved for Type B installations
- ◆ Not for hot-mopped or built-up roofs
- ◆ Do not use paint or petroleum based products on plastic bases or rubber collars

✓	Product No.	Description	Length (L)	Width (W)	PACK	CARTON WEIGHT
	11930	1 1/2" – 3" All-Flash High-Rise No-Calk Thermoplastic Roof Flashing	19	11-1/4	6	7 lbs.
	11931	3" – 4" All-Flash High-Rise No-Calk Thermoplastic Roof Flashing	20	13	6	9 lbs.



IAPMO Listed



653

Data is subject to manufacturing tolerances.